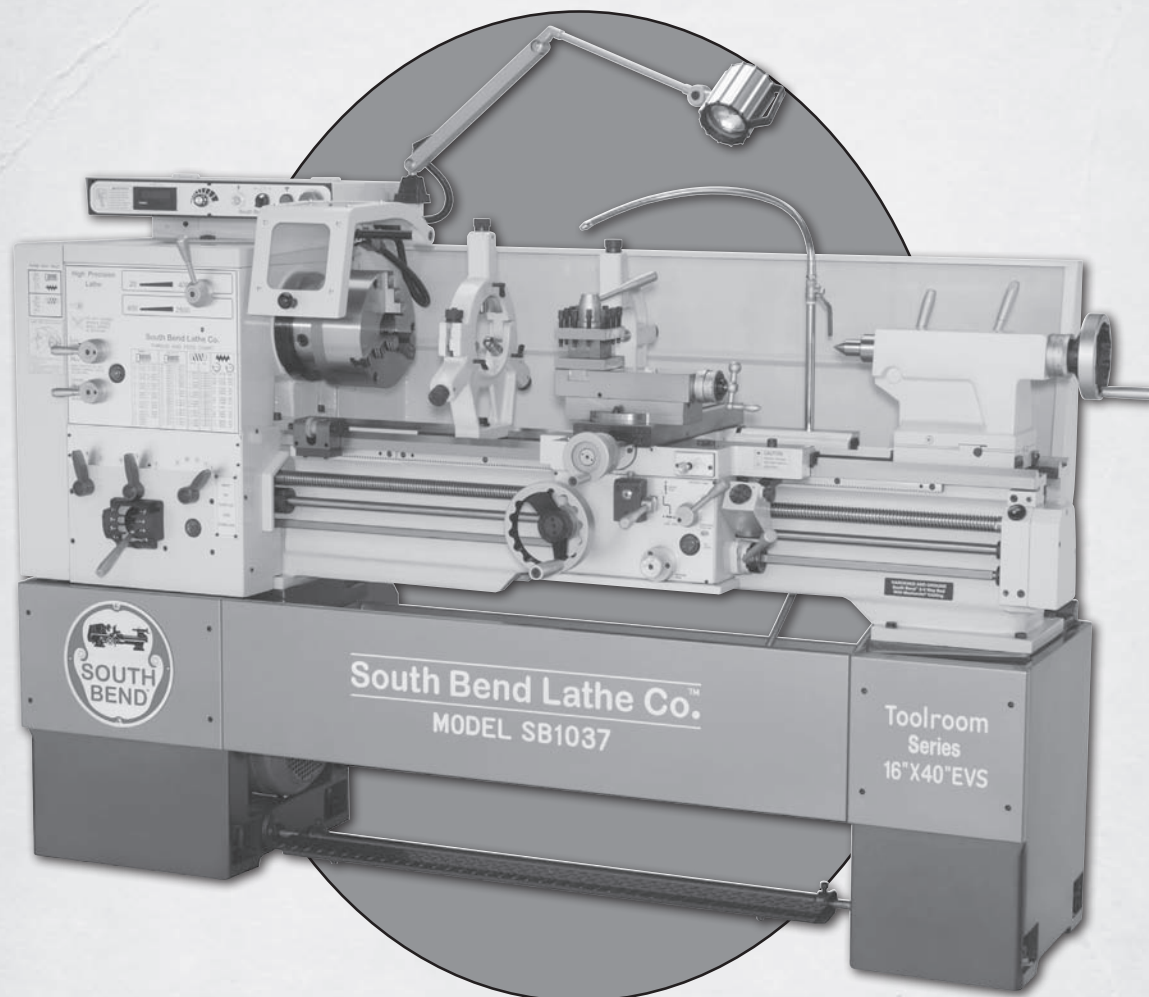




# 16" X 40" EVS TOOLROOM LATHES

MODEL SB1037 - 220V

MODEL SB1038 - 440V



**PARTS MANUAL**

---

# South Bend Lathe Co.™

---

*Hundreds of Thousands of Lathes Sold With a Tradition of Quality Since 1906!*



# Scope of Manual

The parts breakdowns in this manual are provided to facilitate the service and repair of this machine as follows: (1) By helping the mechanic understand how and where individual parts fit together; and (2) by establishing a numbering system from which available replacement parts can be ordered. Please note that not all parts shown are available for purchase and some individual parts may only be available in assemblies with other parts. In the case of fasteners or other off-the-shelf hardware, we will happily provide customers with replacements, but for the sake of expediency, these can also be found at your local hardware or industrial supply store.

# Manual Feedback

We've made every effort to be accurate when documenting this machine. However, errors sometimes happen or the machine design changes after the documentation process—so the manual may not exactly match your machine. If a difference between the manual and machine leaves you in doubt, contact our customer service for clarification.

We highly value customer feedback on our manuals. If you have a moment, please share your experience using this manual. What did you like about it? Is there anything you would change to make it better? Did it meet your expectations for clarity, professionalism, and ease-of-use?

**South Bend Lathe, Inc.**  
c/o **Technical Documentation Manager**  
**P.O. Box 2027**  
**Bellingham, WA 98227**  
**Email: [manuals@southbendlathe.com](mailto:manuals@southbendlathe.com)**

# Updates

For your convenience, any updates to this manual will be available to download free of charge through our website at:

**[www.southbendlathe.com](http://www.southbendlathe.com)**

# Customer Service

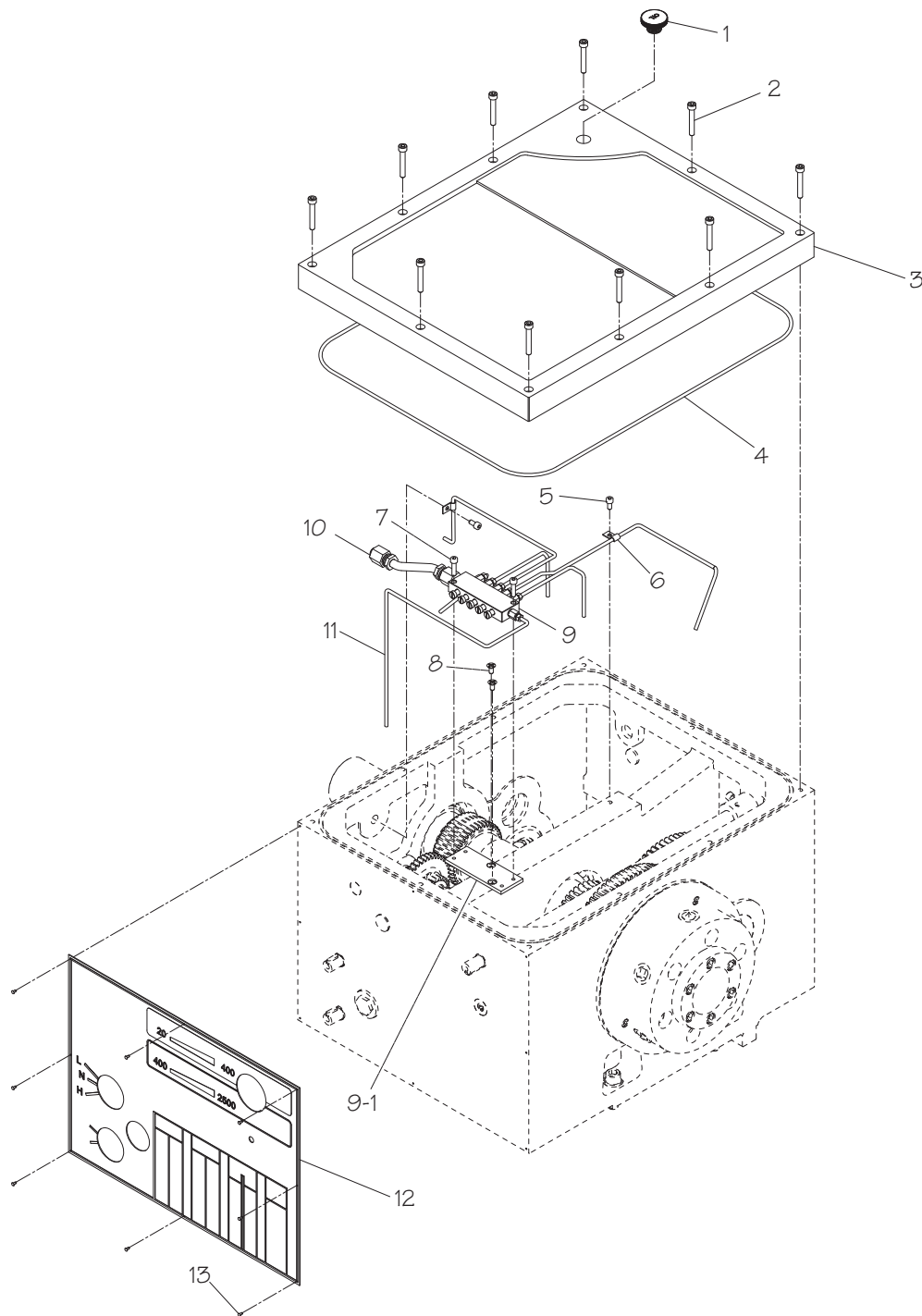
We stand behind our machines. If you have any service questions, parts requests or general questions about the machine, feel free to contact us.

**South Bend Lathe Co.**  
**P.O. Box 2027**  
**Bellingham, WA 98227**  
**Phone: (360) 734-1540**  
**Parts Department: (417) 886-2954**  
**Fax: (360) 676-1075 (International)**  
**Fax: (360) 734-1639 (USA Only)**  
**Email: [cs@southbendlathe.com](mailto:cs@southbendlathe.com)**

# Table of Contents

Headstock Casing .....	2
Headstock Controls.....	3
Headstock Upper Gearing .....	5
Headstock Transfer Gearing .....	7
Gearbox Gearing.....	8
Gearbox Controls .....	10
Apron - Front View .....	12
Apron - Rear View.....	14
Dial Indicator .....	16
Carriage Stop .....	16
Compound Slide & Tool Post.....	17
Saddle Body & Controls.....	18
Saddle Base .....	20
Bed & Shafts .....	21
End Gears.....	23
Motor Assembly .....	24
Cabinets & Panels .....	26
Headstock Oiling System .....	28
Tailstock .....	30
Steady Rest .....	32
Follow Rest.....	32
Electrical Cabinet & Control Panel .....	33
Accessories .....	35
Machine Labels (Front View).....	36
Machine Labels (Rear View) .....	37

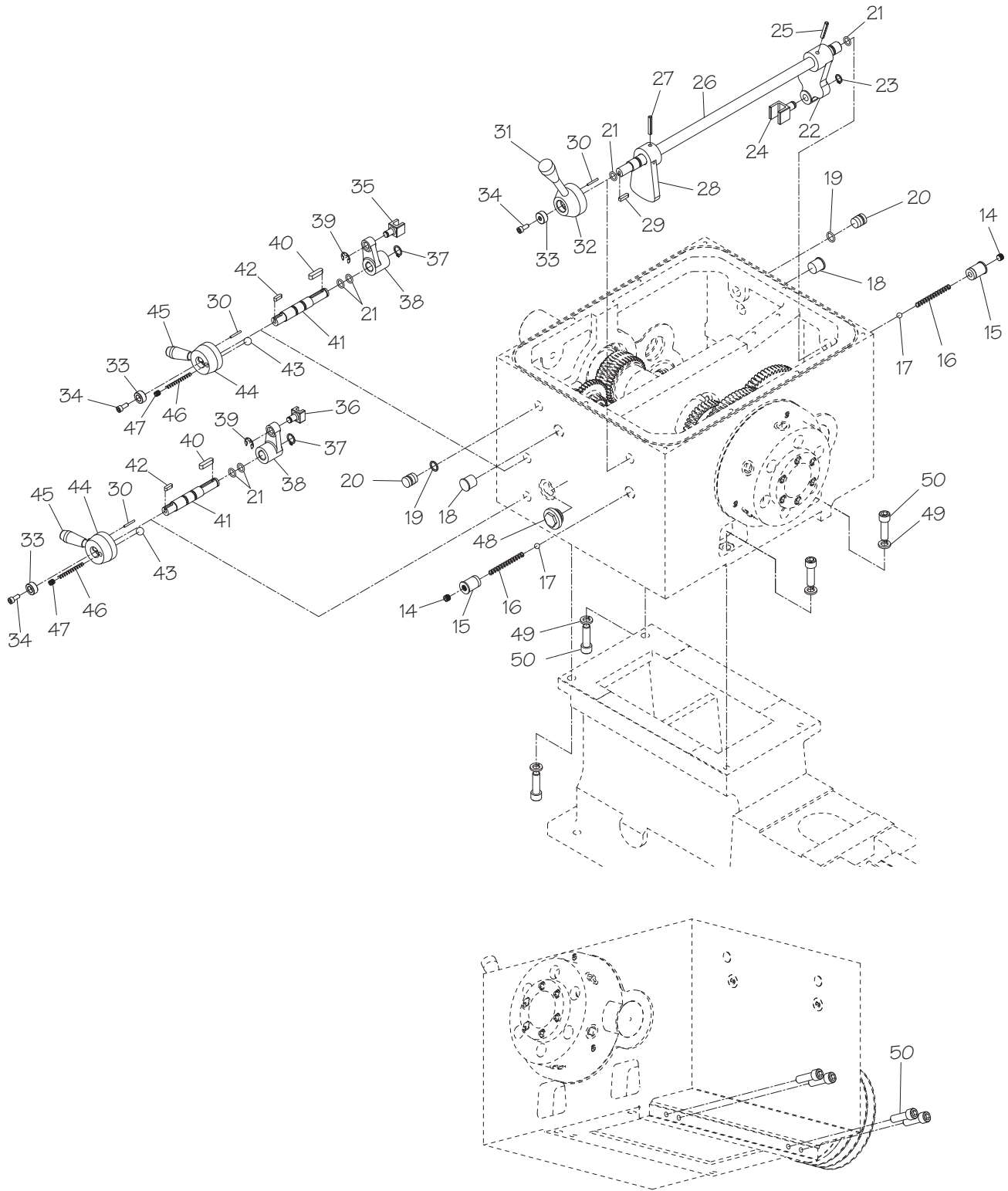
# Headstock Casing



REF	PART #	DESCRIPTION
1	PSB10120001	OIL FILL PLUG
2	PCAP29M	CAP SCREW M6-1 X 40
3	PSB10120003	HEADSTOCK COVER
4	PSB10120004	COVER OIL SEAL M4 X 1700
5	PCAP50M	CAP SCREW M5-.8 X 10
6	PSB10120006	PIPE CLIP 5MM
7	PCAP15M	CAP SCREW M5-.8 X 20

REF	PART #	DESCRIPTION
8	PFH30M	FLAT HD SCR M5-.8 X 8
9	PSB10120009	OIL DISTRIBUTOR A-56
9-1	PSB10120009-1	OIL DISTRIBUTOR BRACKET
10	PSB10120010	PIPE JOINT
11	PSB10120011	NYLON TUBE
12	PSB10120012	HEADSTOCK CONTROL PLATE
13	PRIV001M	STEEL FLUTED RIVET 2 X 5MM

# Headstock Controls

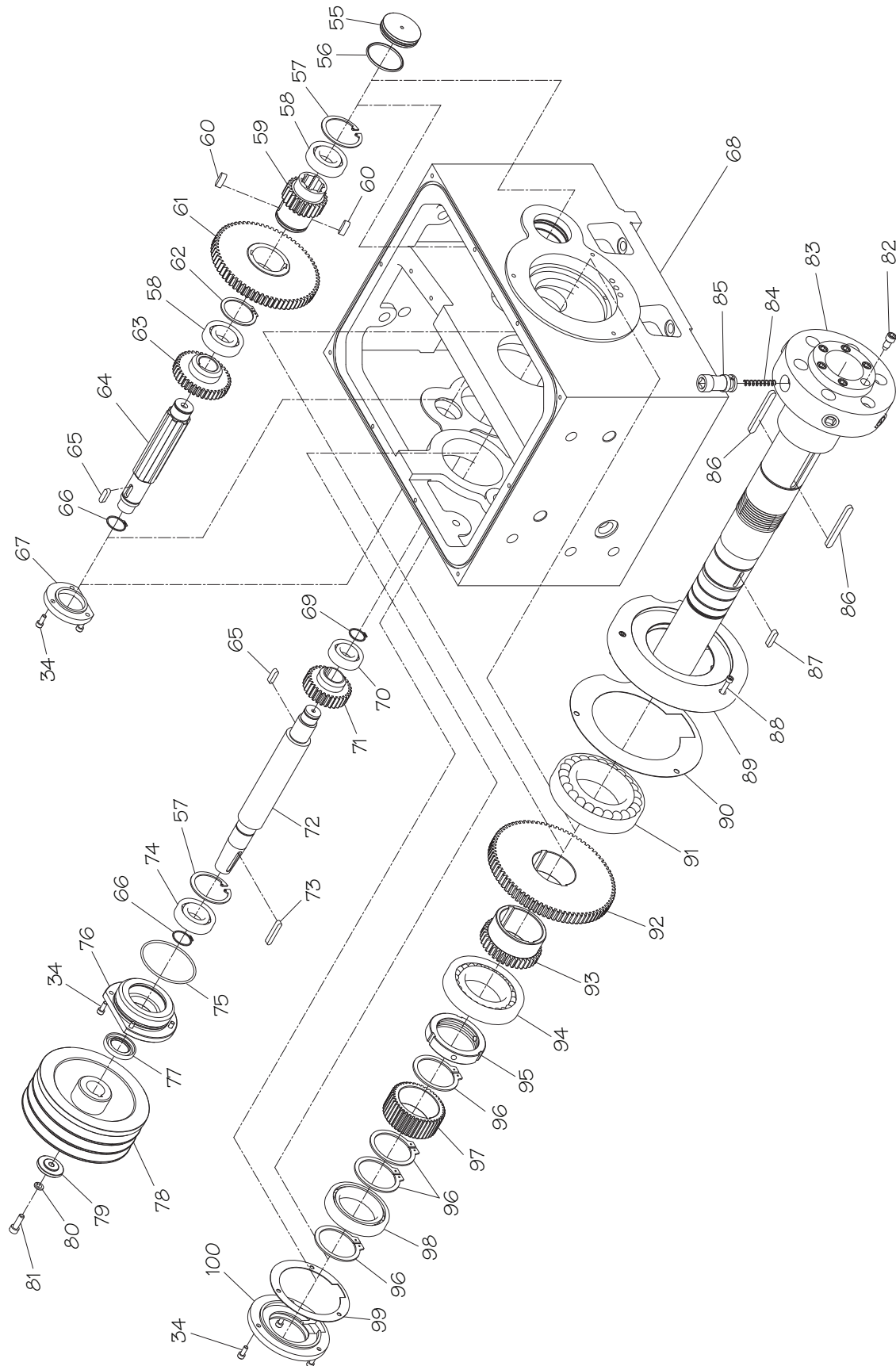


# Headstock Controls Parts List

REF	PART #	DESCRIPTION
14	PSS30M	SET SCREW M10-1.5 X 10
15	PSB10120015	THREADED PLUG M10-1.5
16	PSB10120016	COMPRESSION SPRING M8 X 37
17	PSTB001M	STEEL BALL 8.5MM
18	PSB10120018	HEADSTOCK CASTING PLUG 20MM
19	PORP014	O-RING 13.8 X 2.4 P14
20	PSB10120020	HEADSTOCK CASTING PLUG 18MM
21	PORP021	O-RING 20.8 X 2.4 P21
22	PSB10120022	SHIFT CAM
23	PRO3M	EXT RETAINING RING 12MM
24	PSB10120024	SHIFT FORK
25	PRP31M	ROLL PIN 6 X 36
26	PSB10120026	SHIFT ROD
27	PRP32M	ROLL PIN 6 X 40
28	PSB10120028	SHIFT CAM
29	PK01M	KEY 5 X 5 X 22
30	PRP16M	ROLL PIN 3 X 25
31	PSB10120031	LONG SHIFT HANDLE
32	PSB10120032	SHIFT HANDLE HUB

REF	PART #	DESCRIPTION
33	PSB10120033	HANDLE WASHER 6MM
34	PCAP01M	CAP SCREW M6-1 X 16
35	PSB10120035	SHIFT FORK
36	PSB10120036	SHIFT FORK
37	PRO5M	EXT RETAINING RING 15MM
38	PSB10120038	SHIFT CAM
39	PECO15M	E-CLIP 8MM
40	PK12M	KEY 5 X 5 X 30
41	PSB10120041	SHIFT ROD
42	PK164M	KEY 5 X 5 X 17
43	PSTB001	STEEL BALL 1/4
44	PSB10120044	SHIFT HANDLE HUB
45	PSB10120045	SHORT SHIFT HANDLE
46	PSB10120046	COMPRESSION SPRING 6 X 27
47	PSS20M	SET SCREW M8-1.25 X 8
48	PSB10120048	OIL SIGHT GLASS
49	PLWO5M	LOCK WASHER 12MM
50	PCAP92M	CAP SCREW M12-1.75 X 40

# Headstock Upper Gearing

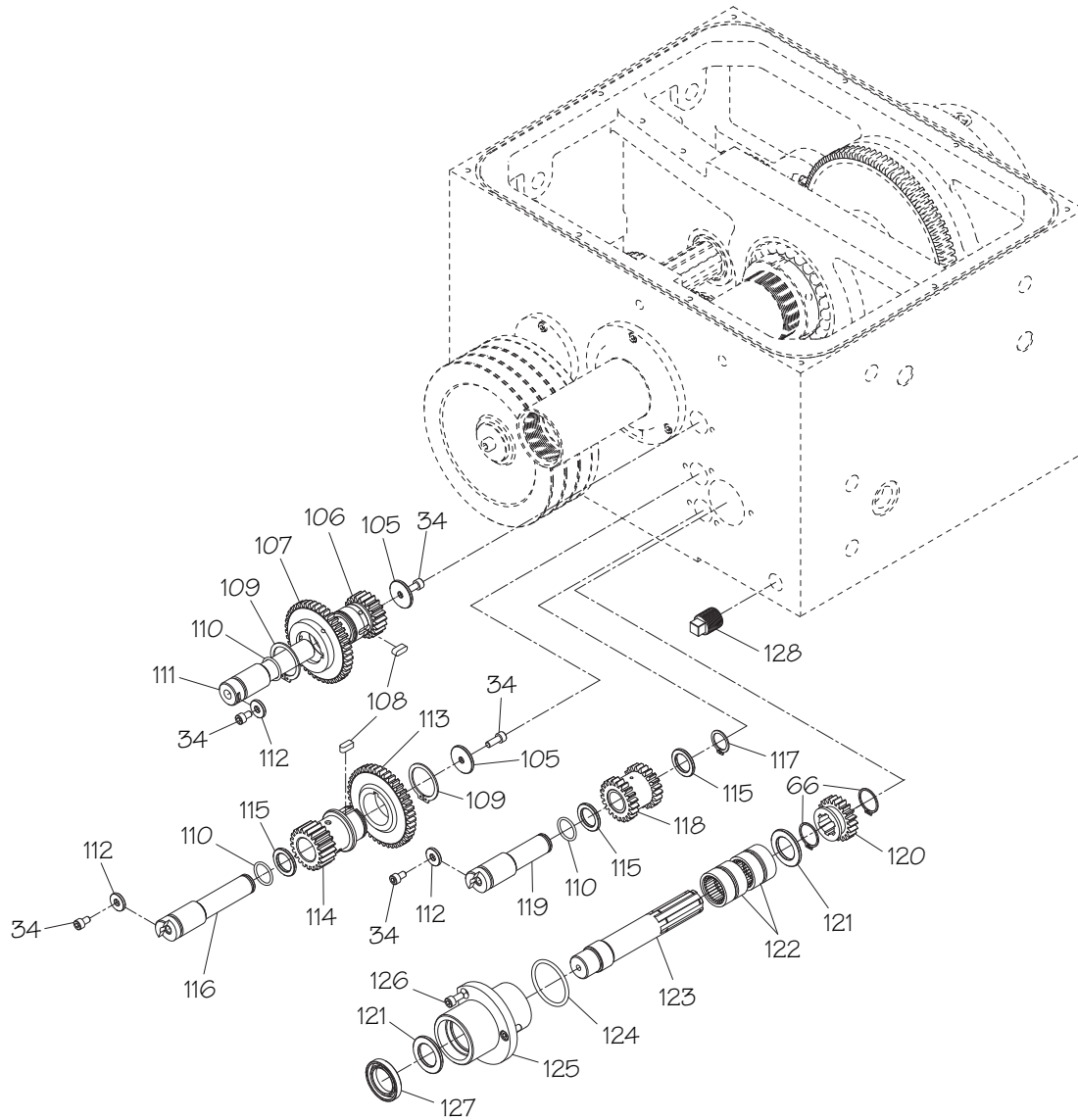


# Headstock Upper Gearing Parts List

REF	PART #	DESCRIPTION
34	PCAP01M	CAP SCREW M6-1 X 16
55	PSB10120055	INBOARD DRIVE SHAFT END CAP
56	PORG050	O-RING 54.4 X 3.1 G50
57	PR38M	INT RETAINING RING 62MM
58	P6206-OPEN	BALL BEARING 6206-OPEN
59	PSB10120059	GEAR 24T
60	PK161M	KEY 10 X 8 X 25
61	PSB10120061	GEAR 67T
62	PR76M	EXT RETAINING RING 52MM
63	PSB10120063	GEAR 38T
64	PSB10120064	DRIVE SHAFT
65	PK27M	KEY 7 X 7 X 25
66	PR15M	EXT RETAINING RING 30MM
67	PSB10120067	OUTBOARD DRIVE SHAFT END CAP
68	PSB10140068	HEADSTOCK CASTING
69	PR11M	EXT RETAINING RING 25MM
70	P6205-OPEN	BALL BEARING 6205-OPEN
71	PSB10120071	GEAR 30T
72	PSB10120072	INPUT SHAFT
73	PK62M	KEY 7 X 7 X 45
74	P6206RS	BALL BEARING 6206RS
75	PORG085	O-RING 84.4 X 3.1 G85
76	PSB10120076	FLANGED BEARING END CAP
77	PSB10120077	OIL SEAL

REF	PART #	DESCRIPTION
78	PSB10120078	SPINDLE PULLEY
79	PSB10120079	PULLEY WASHER 8MM
80	PLW04M	LOCK WASHER 8MM
81	PCAP31M	CAP SCREW M8-1.25 X 25
82	PSB10120082	SPINDLE BOLT
83	PSB10120083	SPINDLE
84	PSB10120084	CAM LOCK SPRING
85	PSB10120085	CAM LOCK
86	PK162M	KEY 10 X 6 X 85
87	PK28M	KEY 7 X 7 X 30
88	PCAP48M	CAP SCREW M6-1 X 35
89	PSB10120089	FRONT SPINDLE BEARING COVER
90	PSB10120090	BEARING COVER GASKET
91	PSB10120091	TAPERED ROLLER BEARING 32019 NTN
92	PSB10120092	GEAR 79T
93	PSB10120093	GEAR 36T
94	PSB10120094	TAPERED ROLLER BEARING 30214A NTN
95	PSB10120095	SPANNER NUT
96	PR13M	EXT RETAINING RING 65MM
97	PSB10120097	GEAR 42T
98	P6013	BALL BEARING 6013-OPEN
99	PSB10120099	END CAP GASKET
100	PSB10120100	OUTBOARD SPINDLE END CAP

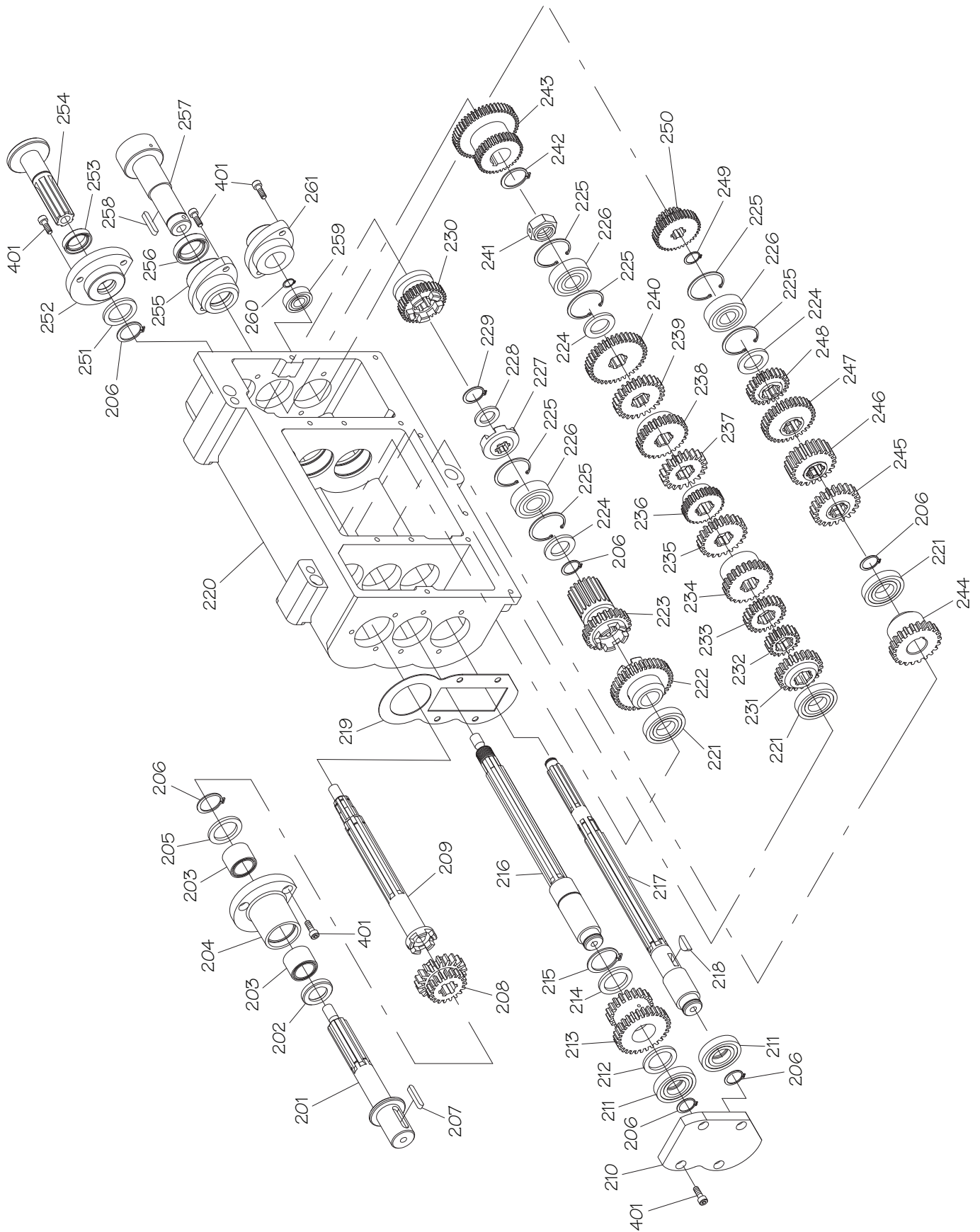
# Headstock Transfer Gearing



REF	PART #	DESCRIPTION
34	PCAP01M	CAP SCREW M6-1 X 16
66	PR15M	EXT RETAINING RING 30MM
105	PSB10120105	GEAR FENDER WASHER 6MM
106	PSB10120106	GEAR 21T
107	PSB10120107	GEAR 42T
108	PK99M	KEY 6 X 6 X 15
109	PR12M	EXT RETAINING RING 35MM
110	PORPO21	O-RING 20.8 X 2.4 P21
111	PSB10120111	GEAR SHAFT
112	PSB10120112	GEAR SHAFT WASHER 6MM
113	PSB10120113	GEAR 42T
114	PSB10120114	GEAR SLEEVE 21T
115	PSB10120115	O-RING SPACER

REF	PART #	DESCRIPTION
116	PSB10120116	GEAR SHAFT
117	PRO9M	EXT RETAINING RING 20MM
118	PSB10120118	DOUBLED ENDED GEAR 12T/21T
119	PSB10120119	GEAR SHAFT
120	PSB10120120	GEAR 21T
121	PSB10120121	SPLINE SHAFT SPACER
122	PSB10120122	NEEDLE BEARING RNA-6904
123	PSB10120123	SPLINE SHAFT
124	PORPO44	O-RING 43.7 X 3.5 P44
125	PSB10120125	FLANGED BEARING END CAP
126	PCAP26M	CAP SCREW M6-1 X 12
127	PSB10120127	OIL SEAL 28 X 44 X 7
128	PSB10120128	SQUARE HEAD DRAIN PLUG 1/2 PT

# Gearbox Gearing

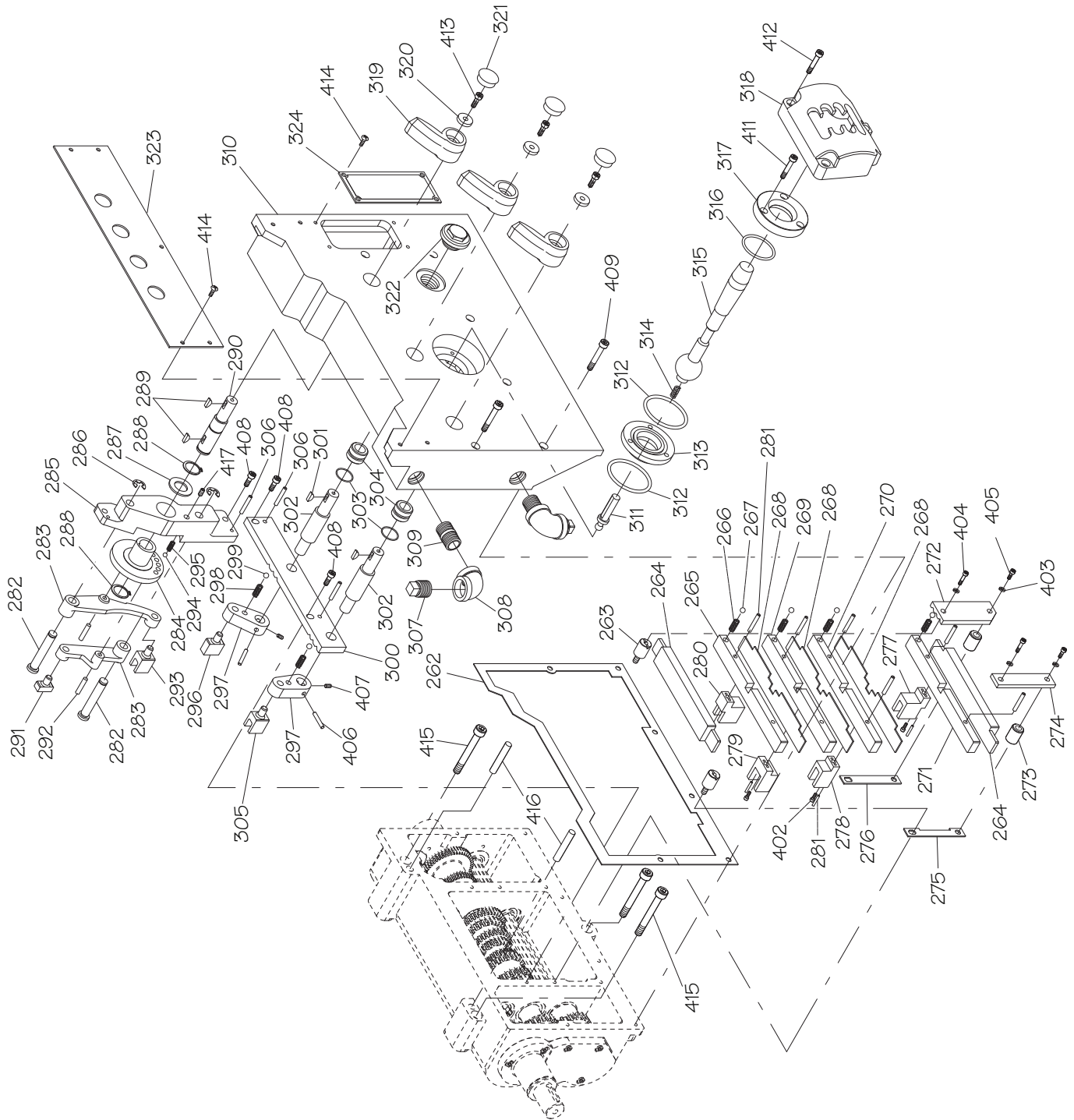


# Gearbox Gearing Parts List

REF	PART #	DESCRIPTION
201	PSB10120201	SPLINE SHAFT
202	PSB10120202	OIL SEAL 20 X 32 X 5
203	PSB10120203	SLEEVE BEARING TAF202820
204	PSB10120204	SLEEVE BEARING HOUSING
205	PSB10120205	SLEEVE BEARING SPACER
206	PRO9M	EXT RETAINING RING 20MM
207	PK109M	KEY 7 X 7 X 35
208	PSB10120208	DOUBLE GEAR 19/20T
209	PSB10120209	SPLINE SHAFT
210	PSB10120210	SPLINE SHAFT END CAP
211	PSB10120211	BALL BEARING 16004
212	PSB10120212	BEARING SPACER
213	PSB10120213	DOUBLE-ENDED GEAR 19T/30T
214	PSB10120214	GEAR SPACER
215	PR11M	EXT RETAINING RING 25MM
216	PSB10120216	SPLINE SHAFT
217	PSB10120217	SPLINE SHAFT
218	PSB10120218	WOODRUFF KEY 5 X 19
219	PSB10120219	END CAP GASKET
220	PSB10120220	GEARBOX CASTING
221	PSB10120211	BALL BEARING 16004
222	PSB10120222	CLUTCH GEAR 38T
223	PSB10120223	DOUBLE ENDED CLUTCH GEAR 23T/19T
224	PSB10120224	SPACER
225	PR23M	INT RETAINING RING 40MM
226	P6203-OPEN	BALL BEARING 6203-OPEN
227	PSB10120227	CLUTCH RING
228	PSB10120228	CLUTCH SPACER
229	PRO6M	EXT RETAINING RING 16MM
230	PSB10120230	CLUTCH GEAR 35T
231	PSB10120231	GEAR 22T

REF	PART #	DESCRIPTION
232	PSB10120232	GEAR 19T
233	PSB10120233	GEAR 20T
234	PSB10120234	GEAR 24T
235	PSB10120235	GEAR 23T
236	PSB10120236	GEAR 27T
237	PSB10120237	GEAR 24T
238	PSB10120238	GEAR 28T
239	PSB10120239	GEAR 26T
240	PSB10120240	GEAR 38T
241	PSB10120241	GEAR RETAINING NUT
242	PR10M	EXT RETAINING RING 22MM
243	PSB10120243	DOUBLE ENDED GEAR 36T/50T
244	PSB10120244	GEAR 22T
245	PSB10120245	GEAR 22T
246	PSB10120246	GEAR 22T
247	PSB10120247	GEAR 33T
248	PSB10120248	GEAR 22T
249	PR18M	EXT RETAINING RING 17MM
250	PSB10120250	DOUBLE GEAR 20T/36T
251	PSB10120251	END CAP SPACER
252	PSB10120252	SPLINE SHAFT END CAP
253	PSB10120202	OIL SEAL 20 X 32 X 5
254	PSB10120254	SPLINE SHAFT
255	PSB10120255	FLANGED SLEEVE BEARING
256	PSB10120256	OIL SEAL 24 X 35 X 8
257	PSB10120257	GEAR SHAFT
258	PK15M	KEY 5 X 5 X 35
259	P6001-OPEN	BALL BEARING 6001-OPEN
260	PRO3M	EXT RETAINING RING 12MM
261	PSB10120261	FLANGED SLEEVE BEARING
401	PCAP26M	CAP SCREW M6-1 X 12

# Gearbox Controls

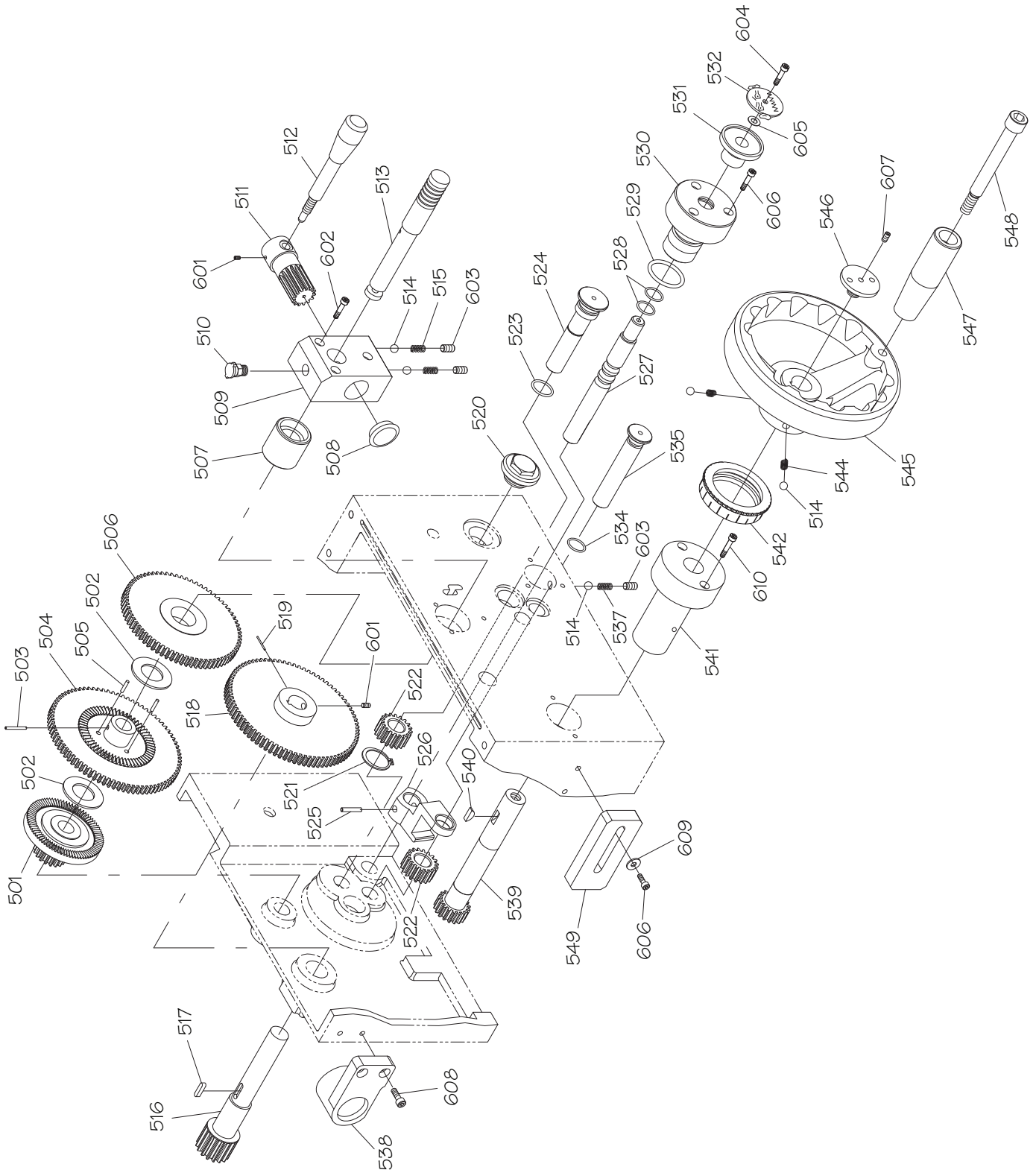


# Gearbox Controls Parts List

REF	PART #	DESCRIPTION
262	PSB10120262	GEARBOX COVER GASKET
263	PSB10120263	PARTITION NUT
264	PSB10120264	UPPER PLATE
265	PSB10120265	UPPER FORK SUPPORT
266	PSB10120266	COMPRESSION SPRING 4 X 19
267	PSTB001	STEEL BALL 1/4
268	PSB10120268	PARTITION
269	PSB10120269	MIDDLE FORK SUPPORT
270	PSB10120270	LOWER FORK SUPPORT
271	PSB10120271	BOTTOM FORK SUPPORT
272	PSB10120272	REVERSE STOP PLATE
273	PSB10120273	PARTITION SPACER
274	PSB10120274	SHOULDER PLATE
275	PSB10120275	LEFT CONNECTOR PLATE
276	PSB10120276	RIGHT CONNECTOR PLATE
277	PSB10120277	BOTTOM FORK
278	PSB10120278	LOWER FORK
279	PSB10120279	MIDDLE FORK
280	PSB10120277	UPPER FORK
281	PRP02M	ROLL PIN 3 X 16
282	PSB10120282	CONNECTOR PIN
283	PSB10120283	PIVOT ARM
284	PSB10120284	CAM
285	PSB10120285	SHIFT BRACKET
286	PECO15M	E-CLIP 8MM
287	PSB10120287	BRACKET SPACER
288	PR18M	EXT RETAINING RING 17MM
289	PSB10120289	WOODRUFF KEY 4 X 13
290	PSB10120290	SHIFT ROD
291	PSB10120291	STOP BLOCK
292	PSB10120292	DOWEL PIN 5 X 24MM
293	PSB10120293	RIGHT SHIFT FORK
294	PSTB001	STEEL BALL 1/4
295	PSB10120295	COMPRESSION SPRING 6.25 X 18
296	PSB10120296	STOP BLOCK
297	PSB10120297	SHIFT ROCKER ARM
298	PSB10120298	COMPRESSION SPRING 6 X 13
299	PSTB001	STEEL BALL 1/4
300	PSB10120300	SHIFT SHAFT SUPPORT BAR

REF	PART #	DESCRIPTION
301	PSB10120289	WOODRUFF KEY 4 X 13
302	PSB10120302	SHIFT SHAFT
303	PORP018	O-RING 17.8 X 2.4 P18
304	PSB10120304	SHIFT SHAFT SLEEVE
305	PSB10120305	SHIFT FORK
306	PRP24M	ROLL PIN 5 X 16
307	PSB10120128	SQUARE HEAD PIPE PLUG 1/2 PT
308	PSB10120308	PIPE ELBOW 90 DEG 1/2 X 1/2 PT
309	PSB10120309	PIPE NIPPLE 1/2 X 1/2 PT X 1"
310	PSB10120310	GEARBOX COVER
311	PSB10120311	SELECTOR ROD
312	PORGO40	O-RING 39.4 X 3.1 G40
313	PSB10120313	SELECTOR LEVER SUPPORT
314	PSB10120314	COMPRESSION SPRING 9 X 38
315	PSB10120315	SELECTOR LEVER
316	PORGO30	O-RING 3.1 X 29.4 G30
317	PSB10120317	SELECTOR LEVER END CAP
318	PSB10120318	SELECTOR PLATE
319	PSB10120319	SHIFTING HANDLE
320	PSB10120015	HANDLE WASHER 5MM
321	PSB10120321	HANDLE CAP
322	PSB10120322	OIL SIGHT GLASS
323	PSB10120323	CONTROL PANEL
324	PSB10120324	FEED CLUTCH COVER
402	PCAP15M	CAP SCREW M5-.8 X 20
403	PLW03M	LOCK WASHER 6MM
404	PCAP26M	CAP SCREW M6-1 X 12
405	PCAP48M	CAP SCREW M6-1 X 35
406	PRP04M	ROLL PIN 4 X 24
407	PSS03M	SET SCREW M6-1 X 8
408	PCAP02M	CAP SCREW M6-1 X 20
409	PCAP167M	CAP SCREW M6-1 X 70
411	PCAP38M	CAP SCREW M5-.8 X 25
412	PCAP26M	CAP SCREW M6-1 X 12
413	PCAP33M	CAP SCREW M5-.8 X 12
414	PS17M	PHLP HD SCR M4-.7 X 6
415	PCAP66M	CAP SCREW M8-1.25 X 65
416	PSB10120416	TAPER PIN #3/#7 X 1/4"
417	PSB10120417	SHIFT BRACKET SET SCREW

# Apron - Front View

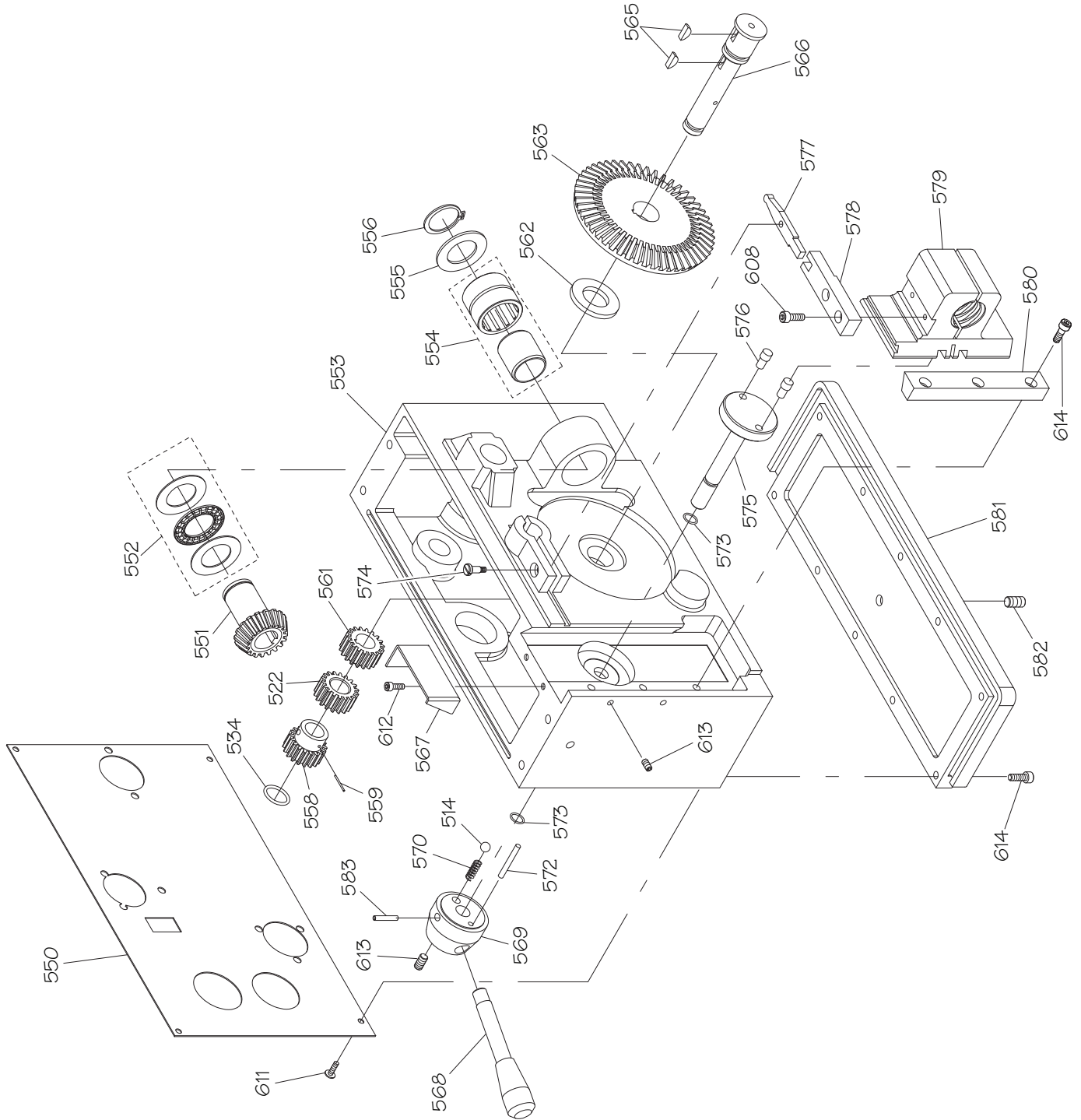


# Apron - Front View Parts List

REF	PART #	DESCRIPTION
501	PSB10120501	DOUBLE GEAR 18T/60T
502	PSB10120502	GEAR SPACER
503	PRP20M	ROLL PIN 4 X 22
504	PSB10120504	DOUBLE GEAR 81T/60T
505	PSB10120505	DOWEL PIN 4 X 17MM
506	PSB10120506	DOUBLE GEAR 72T/60T
507	PSB10120507	SLEEVE BEARING
508	PSB10120508	BRACKET PLUG
509	PSB10120509	FEED CONTROL BRACKET
510	PSB10120510	OIL CUP
511	PSB10120511	SPLINE SHAFT
512	PSB10120512	FEED CONTROL HANDLE
513	PSB10120513	FEED CONTROL WORM
514	PSTB001	STEEL BALL 1/4
515	PSB10120515	COMPRESSION SPRING 6 X 16
516	PSB10120516	GEAR SHAFT
517	PK14M	KEY 5 X 5 X 18
518	PSB10120518	INCH GEAR 81T
519	PRP10M	ROLL PIN 5 X 36
520	PSB10120520	OIL SIGHT GLASS
521	PRO6M	EXT RETAINING RING 16MM
522	PSB10120522	GEAR 18T
523	PORP018	O-RING 17.8 X 2.4 P18
524	PSB10120524	GEAR SHAFT
525	PRP04M	ROLL PIN 4 X 24
526	PSB10120526	FEED DIRECTION PIVOT ARM
527	PSB10120527	FEED DIRECTION SHAFT
528	PORP016	O-RING 15.8 X 2.4 P16

REF	PART #	DESCRIPTION
529	PORP026	O-RING 25.7 X 3.5 P26
530	PSB10120530	FEED DIRECTION SHAFT SLEEVE
531	PSB10120531	FEED DIRECTION KNOB
532	PSB10120532	DIRECTION PLATE
534	PORP012	O-RING 11.8 X 2.4 P12
535	PSB10120535	GEAR SHAFT
537	PSB10120266	COMPRESSION SPRING 4 X 19
538	PSB10120538	SUPPORT BRACKET
539	PSB10120539	GEAR SHAFT 18T
540	PSB10120218	WOODRUFF KEY 5 X 19
541	PSB10120541	INCH GEAR SHAFT SLEEVE
542	PSB10120542	INCH INDEX RING
544	PSB10120515	COMPRESSION SPRING 6 X 16
545	PSB10120545	HANDWHEEL
546	PSB10120546	HANDWHEEL WASHER 6MM
547	PSB10120547	HANDWHEEL HANDLE
548	PSB10120548	HANDLE CAP SCREW
549	PSB10120549	SAFETY PLATE
601	PSS26M	SET SCREW M5-.8 X 6
602	PCAP79M	CAP SCREW M5-.8 X 35
603	PSS20M	SET SCREW M8-1.25 X 8
604	PCAP33M	CAP SCREW M5-.8 X 12
605	PW03M	FLAT WASHER 6MM
606	PCAP06M	CAP SCREW M6-1 X 25
607	PSS12M	SET SCREW M6-1 X 25
608	PCAP01M	CAP SCREW M6-1 X 16
609	PW03M	FLAT WASHER 6MM
610	PCAP38M	CAP SCREW M5-.8 X 25

# Apron - Rear View

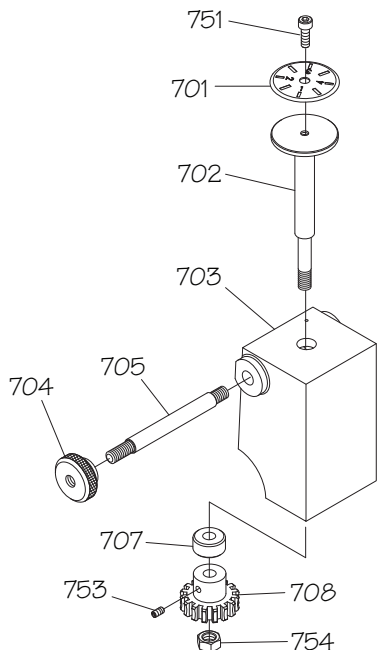


# Apron - Rear View Parts List

REF	PART #	DESCRIPTION
514	PSTB001	STEEL BALL 1/4
522	PSB10120522	GEAR 18T
534	PORP012	O-RING 11.8 X 2.4 P12
550	PSB10120550	APRON FRONT PLATE
551	PSB10120551	BEVEL GEAR 23T
552	PSB10120552	THRUST BEARING NTB/AS-2542
553	PSB10120553	APRON CASTING
554	PSB10120554	NEEDLE BEARING NK29/30
555	PSB10120555	BEARING SPACER
556	PR11M	EXT RETAINING RING 25MM
558	PSB10120558	GEAR 18T
559	PRP88M	ROLL PIN 5 X 22
561	PSB10120561	GEAR 18T
562	PSB10120562	GEAR SPACER
563	PSB10120563	BEVEL GEAR 64T
565	PSB10120289	WOODRUFF KEY 4 X 13
566	PSB10120566	HALF-NUT LEVER SHAFT
567	PSB10120567	OIL FENCE
568	PSB10120568	HALF-NUT LEVER

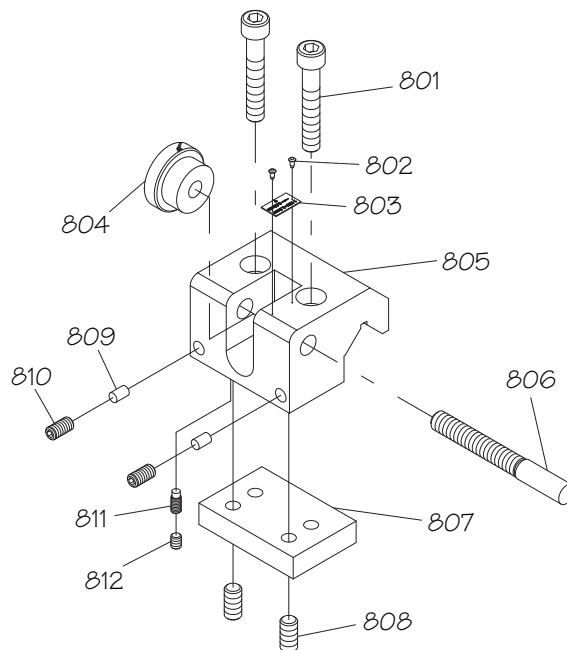
REF	PART #	DESCRIPTION
569	PSB10120569	HALF-NUT LEVER HUB
570	PSB10120046	COMPRESSION SPRING 6 X 27
572	PRP04M	ROLL PIN 4 X 24
573	PORP020	O-RING 19.8 X 2.4 P20
574	PSB10120574	CLAMP STEP SCREW
575	PSB10120575	CAM SHAFT
576	PSB10120576	STEP PIN
577	PSB10120577	PIVOT LEVER
578	PSB10120578	RETAINING BLOCK
579	PSB10120579	INCH HALF-NUT
580	PSB10120580	HALF-NUT GIB
581	PSB10120581	APRON CASTING BOTTOM COVER
582	PSB10120582	OIL DRAIN PLUG 1/8 PT
583	PRP102M	ROLL PIN 4 X 36
608	PCAP01M	CAP SCREW M6-1 X 16
611	PS17M	PHLP HD SCR M4-.7 X 6
612	PCAP03M	CAP SCREW M5-.8 X 8
613	PSS02M	SET SCREW M6-1 X 6
614	PCAP24M	CAP SCREW M5-.8 X 16

# Dial Indicator



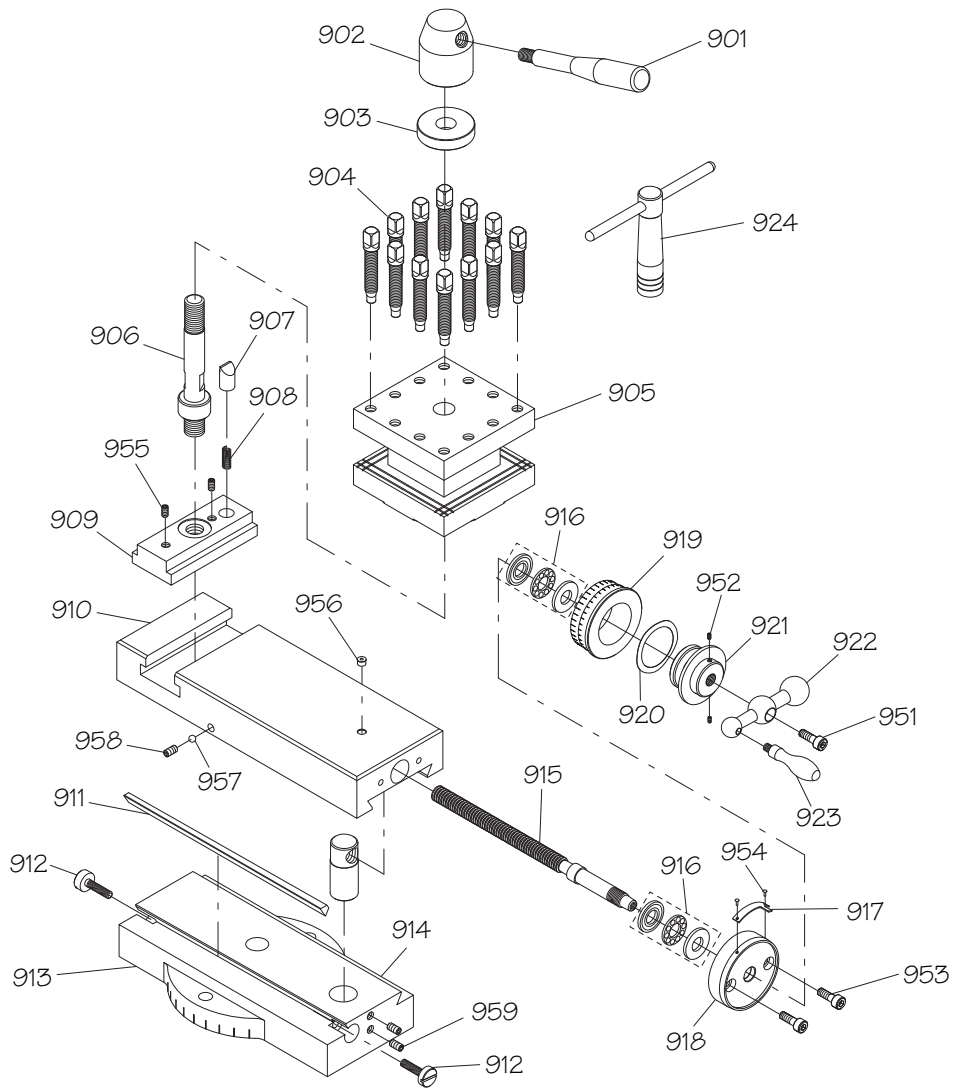
REF	PART #	DESCRIPTION
701	PSB10120701	DIAL INDICATOR INDEX PLATE
702	PSB10120702	PIVOT SHAFT
703	PSB10120703	DIAL INDICATOR CASTING
704	PSB10120704	KNURLED KNOB
705	PSB10120705	DOUBLE-THREADED STUD
707	PSB10120707	GEAR SPACER
708	PSB10120708	DIAL GEAR 16T
751	PCAP04M	CAP SCREW M6-1 X 10
753	PSS02M	SET SCREW M6-1 X 6
754	PNO3M	HEX NUT M8-1.25

# Carriage Stop



REF	PART #	DESCRIPTION
801	PCAP71M	CAP SCREW M10-1.5 X 60
802	PRIV001M	STEEL FLUTED RIVET 2 X 5MM
803	PSB10120803	INCH INDEX RING
804	PSB10120804	INCH MICROMETER DIAL
805	PSB10120805	CARRIAGE STOP BODY
806	PSB10120806	INCH THREADED STOP ROD
807	PSB10120807	CLAMP PLATE
808	PSS10M	SET SCREW M10-1.5 X 20
809	PSB10120809	COPPER PLUNGER
810	PSS06M	SET SCREW M8-1.25 X 16
811	PSB10120811	EXTENDED POINT SET SCREW M6-1 X 12
812	PSS14M	SET SCREW M8-1.25 X 12

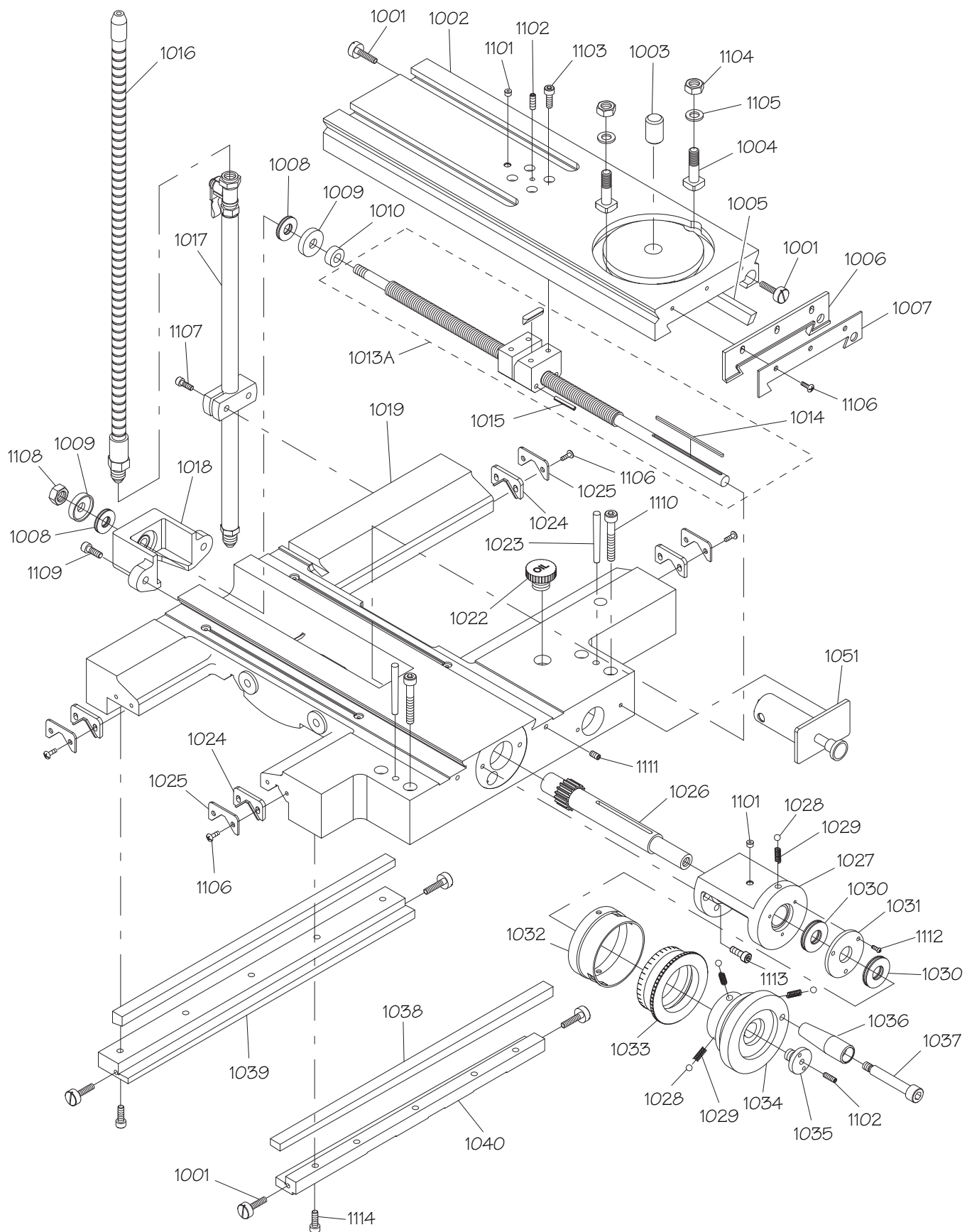
# Compound Slide & Tool Post



REF	PART #	DESCRIPTION
901	PSB10120901	TOOL POST HANDLE
902	PSB10120902	TURRET NUT
903	PSB10120903	TURRET NUT COLLAR
904	PSB10120904	TOOL POST BOLT
905	PSB10120905	TOOL POST BODY
906	PSB10120906	TOOL POST STUD
907	PSB10120907	BEVELED PLUNGER
908	PSB10120908	COMPRESSION SPRING 6 X 27
909	PSB10120909	TOOL POST BASE
910	PSB10120910	COMPOUND SLIDE
911	PSB10120911	COMPOUND GIB
912	PSB10120912	GIB ADJUSTMENT SCREW
913	PSB10140913	COMPOUND SWIVEL BASE
914	PSB10120914	COMPOUND LEADSCREW NUT
915	PSB10120915	COMPOUND LEADSCREW
916	P51101	THRUST BEARING 51101
917	PSB10120917	INDEX PLATE

REF	PART #	DESCRIPTION
918	PSB10120918	LEADSCREW SUPPORT BRACKET
919	PSB10120919	DUAL INDEX RING
920	PSB10120920	WAVY WASHER 35 X 45 X 0.3
921	PSB10120921	LEADSCREW BEARING HOUSING
922	PSB10120922	BALL HANDLE
923	PSB10120923	HANDLE
924	PSB10120924	TOOL POST BOLT KEY
951	PCAP01M	CAP SCREW M6-1 X 16
952	PSS04M	SET SCREW M6-1 X 12
953	PCAP26M	CAP SCREW M6-1 X 12
954	PRIV001M	STEEL FLUTED RIVET 2 X 5MM
955	PSS14M	SET SCREW M8-1.25 X 12
956	PLUBE001	TAP-IN BALL OILER 1/4
957	PSTB001	STEEL BALL 1/4
958	PSS14M	SET SCREW M8-1.25 X 12
959	PSS03M	SET SCREW M6-1 X 8

# Saddle Body & Controls

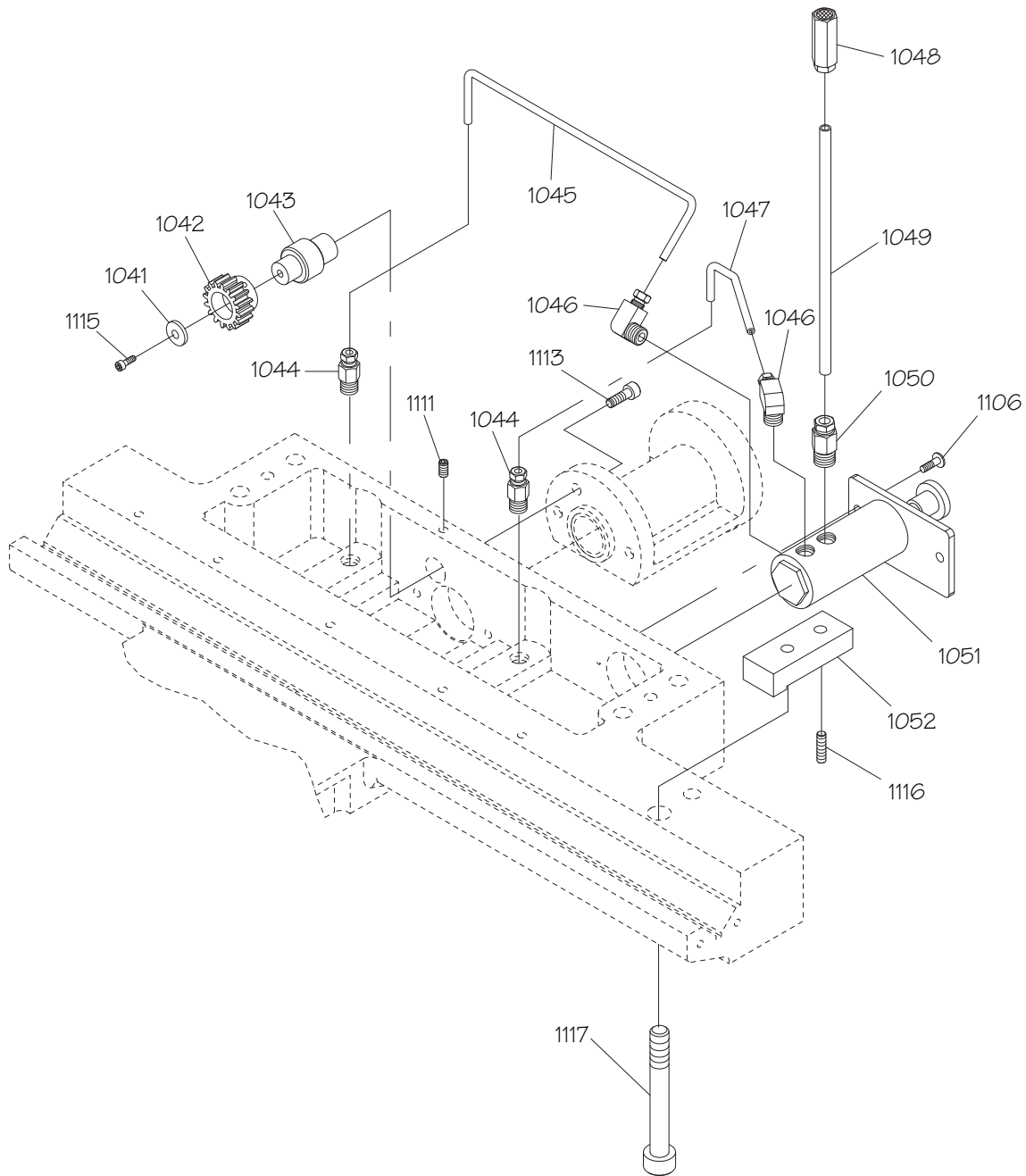


# Saddle Body & Controls Parts List

REF	PART #	DESCRIPTION
1001	PSB10121001	CROSS GIB ADJUSTMENT SCREW
1002	PSB10121002	CROSS SLIDE
1003	PSB10121003	PIVOT STUD 18 X 28
1004	PSB10121004	COMPOUND T-BOLT
1005	PSB10121005	CROSS SLIDE GIB
1006	PSB10121006	CROSS WAY WIPER
1007	PSB10121007	CROSS WAY WIPER PLATE
1008	PSB10121008	THRUST BEARING NTB/AS2-1226
1009	PSB10121009	BEARING COLLAR
1010	PSB10121010	LEADSCREW SLEEVE BEARING
1013A	PSB10121013A	CROSS LEADSCREW W/NUT ASSY
1014	PK165M	KEY 3 X 3 X 100
1015	PRP28M	ROLL PIN 5 X 40
1016	PSB10121016	COOLANT NOZZLE 3/8 PT X 24"
1017	PSB10121017	COOLANT STAND PIPE/VALVE 3/8 PT
1018	PSB10121018	CROSS LEADSCREW END BRACKET
1019	PSB10121019	SADDLE
1022	PSB10121022	SADDLE OIL FILL PLUG
1023	PSB10121023	TAPER PIN #6 X #2 X 3/4"
1024	PSB10121024	BEDWAY WIPER
1025	PSB10121025	BEDWAY WIPER PLATE
1026	PSB10121026	PINION 160DP 16T
1027	PSB10121027	PINION BRACKET
1028	PSTB001	STEEL BALL 1/4
1029	PSB10121029	COMPRESSION SPRING 6 X 15
1030	PSB10121030	THRUST BEARING NTB/AS2 1730

REF	PART #	DESCRIPTION
1031	PSB10121031	BEARING CAP 18 X 52 X 4
1032	PSB10121032	INDEX DIAL HOUSING
1033	PSB10121033	DUAL INDEX RING
1034	PSB10121034	CARRIAGE HANDWHEEL
1035	PSB10121035	HANDWHEEL WASHER 6MM
1036	PSB10121036	HANDWHEEL HANDLE
1037	PSB10121037	HANDWHEEL HANDLE SCREW
1038	PSB10121038	SADDLE GIB
1039	PSB10121039	REAR GIB PRESSURE BAR
1040	PSB10121040	FRONT GIB PRESSURE BAR
1051	PSB10121051	SADDLE OIL PUMP ASSEMBLY
1101	PLUBE001	TAP-IN BALL OILER 1/4
1102	PSS28M	SET SCREW M6-1 X 30
1103	PCAP07M	CAP SCREW M6-1 X 30
1104	PN02M	HEX NUT M10-1.5
1105	PW04M	FLAT WASHER 10MM
1106	PS08M	PHLP HD SCR M5-.8 X 12
1107	PCAP06M	CAP SCREW M6-1 X 25
1108	PN02M	HEX NUT M10-1.5
1109	PCAP02M	CAP SCREW M6-1 X 20
1110	PCAP35M	CAP SCREW M8-1.25 X 60
1111	PSS03M	SET SCREW M6-1 X 8
1112	PCAP17M	CAP SCREW M4-.7 X 10
1113	PCAP02M	CAP SCREW M6-1 X 20
1114	PCAP02M	CAP SCREW M6-1 X 20

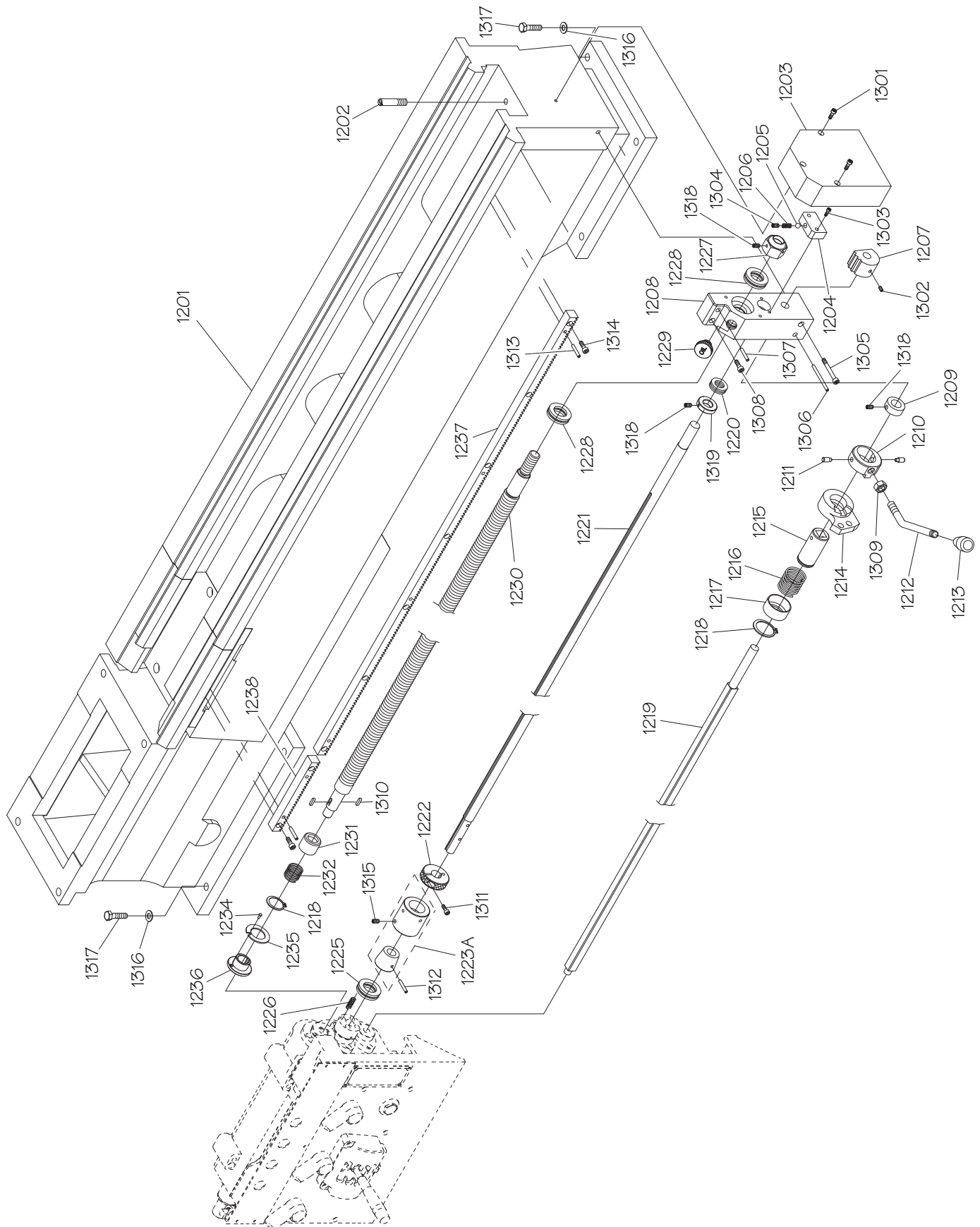
# Saddle Base



REF	PART #	DESCRIPTION
1041	PSB10121041	GEAR WASHER 5MM
1042	PSB10121042	GEAR 16T
1043	PSB10121043	GEAR SHAFT
1044	PSB10121044	STRAIGHT PIPE ADAPTER 1/8 PT X 4MM
1045	PSB10121045	ALUMINUM TUBE 4 X 260MM
1046	PSB10121046	ELBOW ADAPTER 1/8 PT X 4MM
1047	PSB10121047	ALUMINUM TUBE 4 X 120MM
1048	PSB10121048	OIL FILTER 6MM
1049	PSB10121049	ALUMINUM TUBE 6 X 160MM

REF	PART #	DESCRIPTION
1050	PSB10121050	STRAIGHT PIPE ADAPTER 1/8 PT X 6MM
1051	PSB10121051	SADDLE OIL PUMP ASSEMBLY
1052	PSB10121052	SUPPORT BRACKET
1106	PS08M	PHLP HD SCR M5-.8 X 12
1111	PSS03M	SET SCREW M6-1 X 8
1113	PCAP02M	CAP SCREW M6-1 X 20
1115	PCAP24M	CAP SCREW M5-.8 X 16
1116	PSS74M	SET SCREW M8-1.25 X 35
1117	PCAP169M	CAP SCREW M12-1.75 X 75

# Bed & Shafts

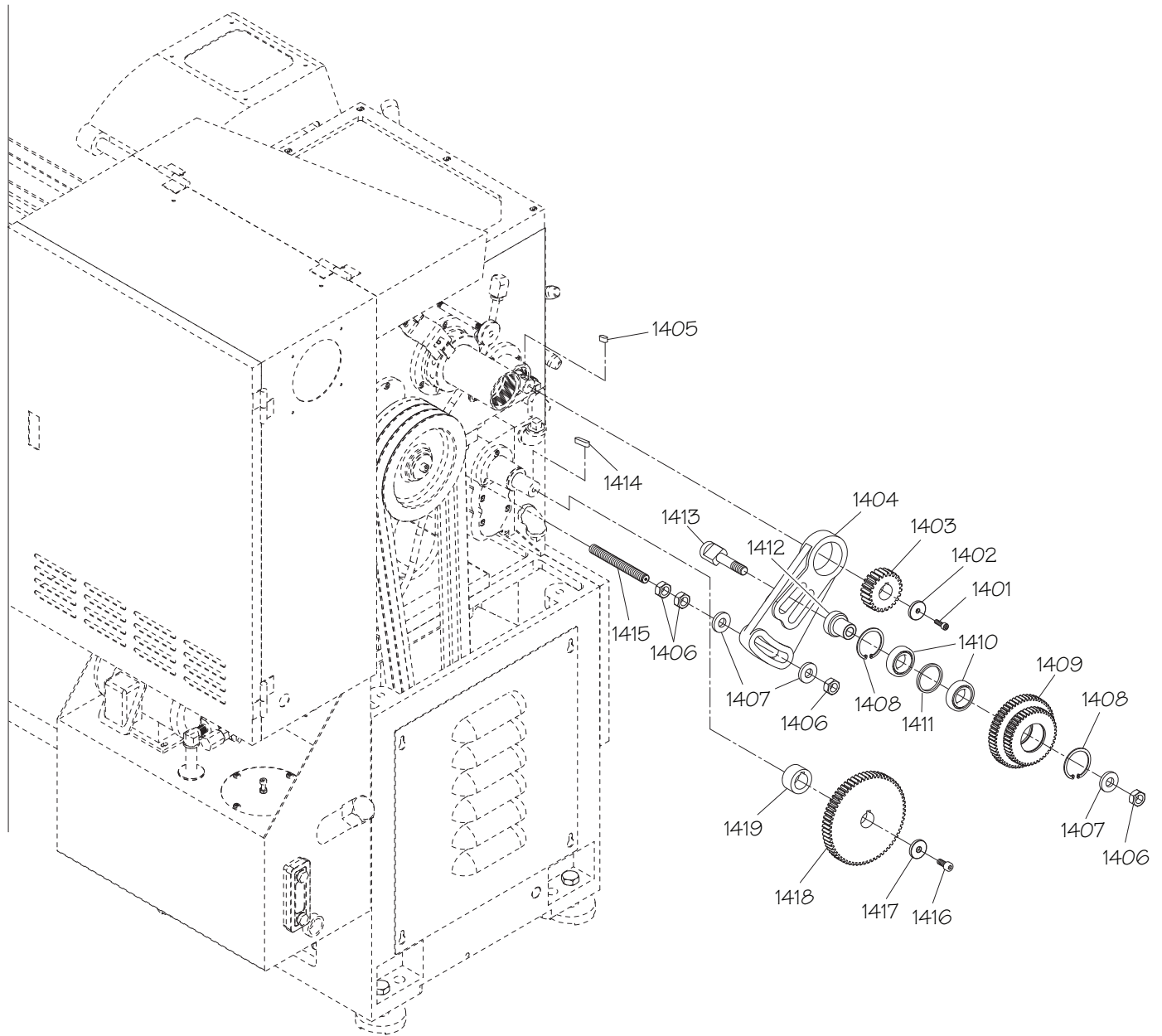


# Bed & Shafts Parts List

REF	PART #	DESCRIPTION
1201	PSB10121201	BED CASTING
1202	PSB10121202	BED END STOP BOLT
1203	PSB10121203	SHAFT END BRACKET COVER
1204	PSB10121204	FEED ROD END BRACKET
1205	PSTB002	STEEL BALL 5/16
1206	PSB10121206	COMPRESSION SPRING 8 X 27
1207	PSB10121207	SPINDLE ROD END BRACKET
1208	PSB10121208	SHAFT END BRACKET
1209	PSB10121209	LOCK COLLAR
1210	PSB10121210	SPINDLE LEVER HUB
1211	PSB10121211	STEP PIN
1212	PSB10121212	SPINDLE ROD LEVER
1213	PSB10121213	SPINDLE ROD LEVER KNOB
1214	PSB10121214	SPINDLE LEVER HUB BRACKET
1215	PSB10121215	SPINDLE ROD SLEEVE
1216	PSB10121216	COMPRESSION SPRING 38 X 75
1217	PSB10121217	SPRING HOUSING
1218	PR37M	EXT RETAINING RING 32MM
1219	PSB10121219	SPINDLE ROD
1220	PSB10121220	THRUST BEARING NTB/AS2 1831
1221	PSB10121221	FEED ROD
1222	PSB10121222	FEED ROD LOCK COLLAR
1223A	PSB10121223A	CLUTCH COLLAR ASSEMBLY
1225	P51203	THRUST BEARING 51203
1226	PSB10121226	COMPRESSION SPRING 9 X 32
1227	PSB10121227	LEADSCREW LOCK NUT
1228	P51105	THRUST BEARING 51105
1229	PSB10121229	OIL FILL PLUG

REF	PART #	DESCRIPTION
1230	PSB10121230	INCH LEADSCREW 4 TPI
1231	PSB10121231	LEADSCREW SLEEVE BEARING
1232	PSB10121232	COMPRESSION SPRING 27 X 55
1234	PSB10121234	LEADSCREW SHEAR PIN
1235	PSB10121235	SHEAR PIN WASHER
1236	PSB10121236	SHEAR PIN COLLAR
1237	PSB10121237	LONGITUDINAL RACK
1238	PSB10121238	GAP RACK
1301	PCAP83M	CAP SCREW M6-1 X 55
1302	PSS11M	SET SCREW M6-1 X 16
1303	PCAP06M	CAP SCREW M6-1 X 25
1304	PSS30M	SET SCREW M10-1.5 X 10
1305	PCAP128M	CAP SCREW M8-1.25 X 70
1306	PSB10121306	TAPER PIN #7 X #3 X 1/4"
1307	PSB10121307	DOWEL PIN #2 X 2"
1308	PCAP40M	CAP SCREW M8-1.25 X 35
1309	PNO9M	HEX NUT M12-1.75
1310	PK20M	KEY 5 X 5 X 15
1311	PCAP02M	CAP SCREW M6-1 X 20
1312	PSB10121312	DOWEL PIN 4 X 30MM
1313	PRP93M	ROLL PIN 6 X 25
1314	PCAP02M	CAP SCREW M6-1 X 20
1315	PSS02M	SET SCREW M6-1 X 6
1316	PW06M	FLAT WASHER 12MM
1317	PB24M	HEX BOLT M12-1.75 X 45
1318	PSS03M	SET SCREW M6-1 X 8
1319	PSB10121319	FEED ROD LOCK COLLAR

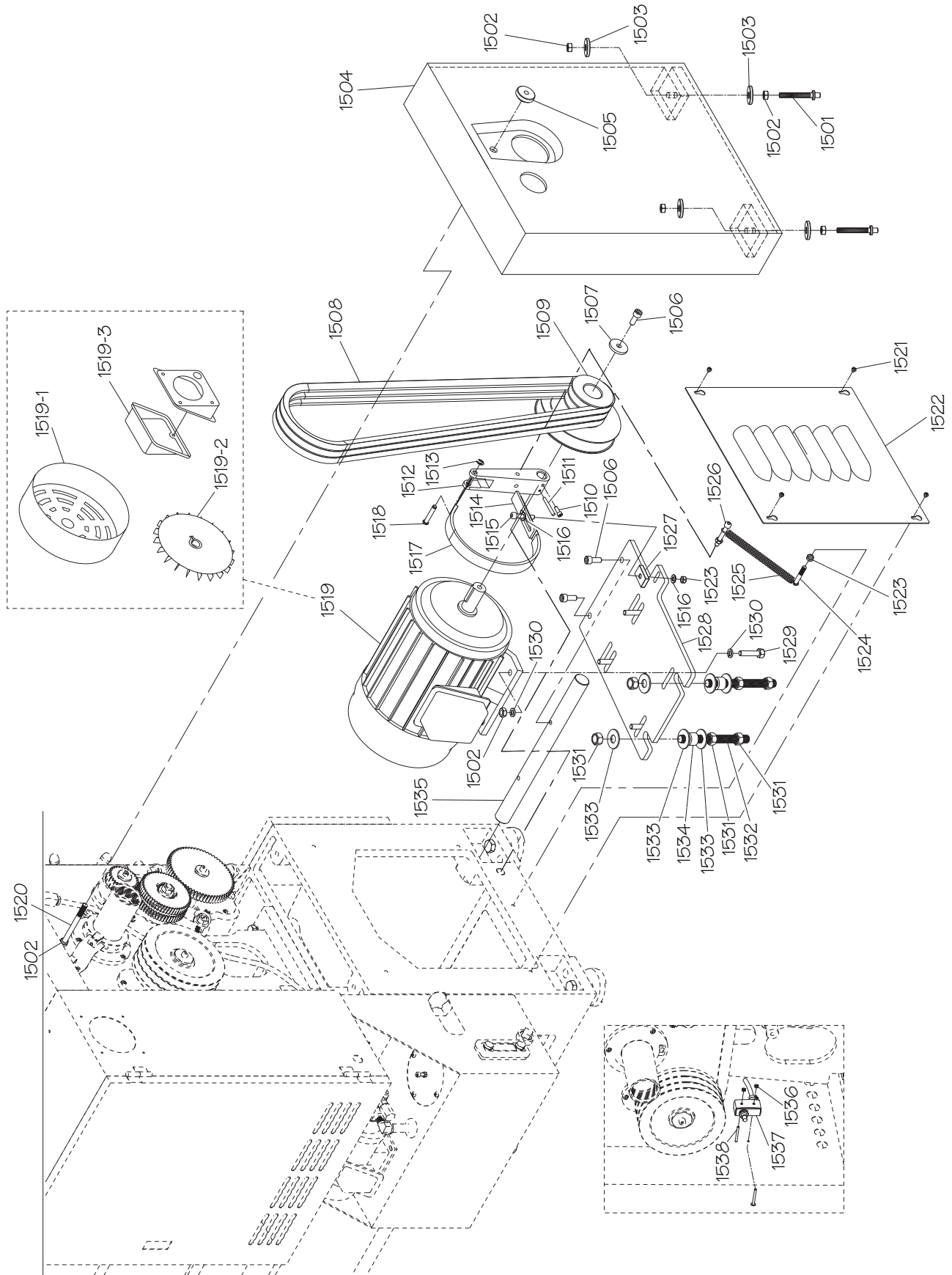
# End Gears



REF	PART #	DESCRIPTION
1401	PCAP02M	CAP SCREW M6-1 X 20
1402	PSB10121402	GEAR WASHER 6MM
1403	PSB10141403	GEAR 24T
1404	PSB10141404	PIVOT ARM
1405	PK166M	KEY 7 X 7 X 15
1406	PN32M	HEX NUT M14-2
1407	PSB10121407	GEAR WASHER 14MM
1408	PR25M	INT RETAINING RING 47MM
1409	PSB10141409	DOUBLE GEAR 44T/56T
1410	P6005ZZ	BALL BEARING 6005ZZ

REF	PART #	DESCRIPTION
1411	PSB10121411	BEARING SPACER
1412	PSB10121412	GEAR SHAFT BUSHING
1413	PSB10121413	GEAR SHAFT
1414	PK28M	KEY 7 X 7 X 30
1415	PSB10121415	PIVOT ARM STUD
1416	PCAP14M	CAP SCREW M8-1.25 X 20
1417	PSB10121417	GEAR WASHER 8MM
1418	PSB10141418	GEAR 57T
1419	PSB10121419	GEAR BUSHING

# Motor Assembly

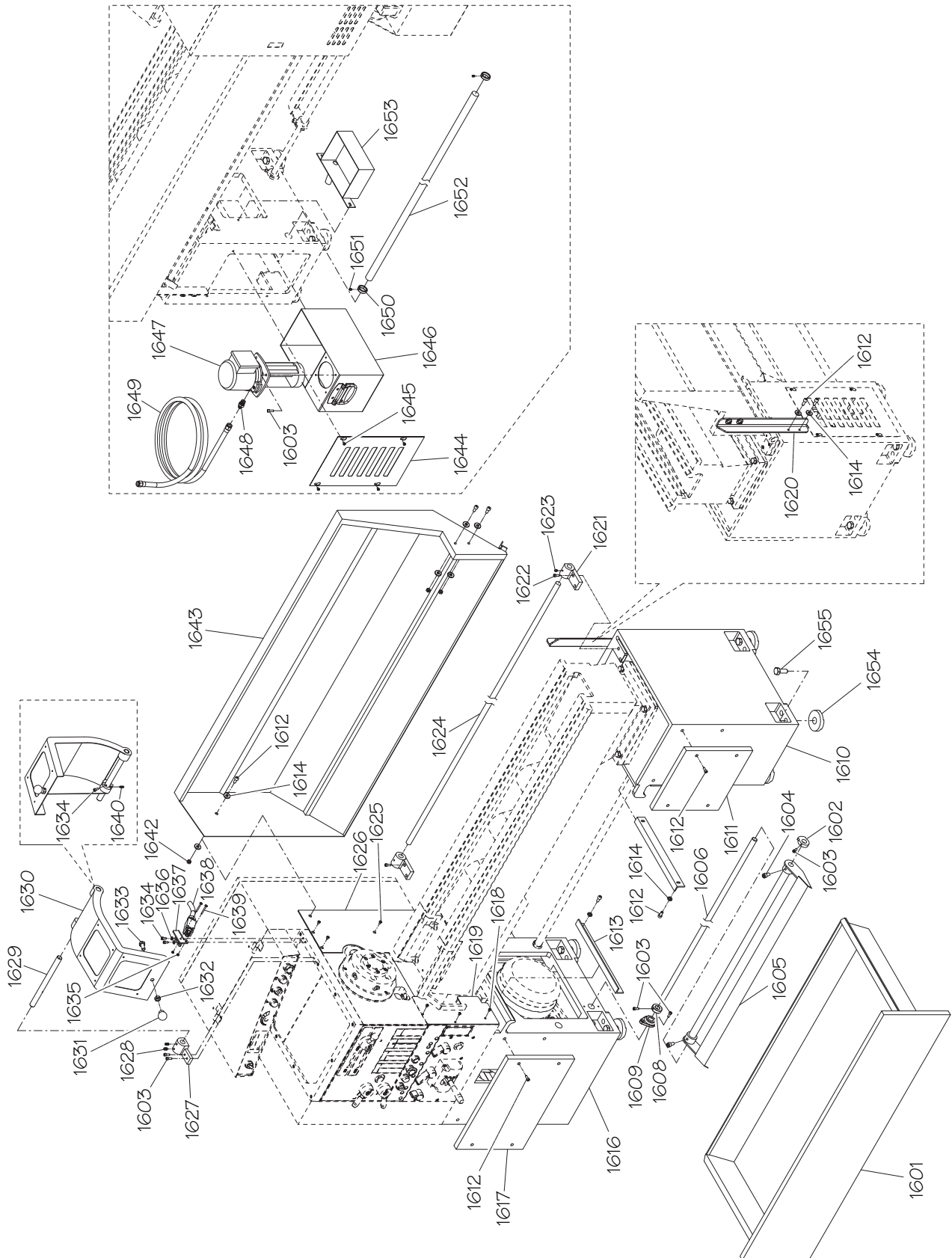


# Motor Assembly Parts List

REF	PART #	DESCRIPTION
1501	PSB10121501	SIDE COVER MOUNTING PIN
1502	PNO2M	HEX NUT M10-1.5
1503	PW04M	FLAT WASHER 10MM
1504	PSB10121504	LEFT TOP SIDE COVER
1505	PSB10121505	KNURLED SIDE COVER KNOB M10-1.5
1506	PCAP64M	CAP SCREW M10-1.5 X 25
1507	PSB10121507	PULLEY WASHER 10 X 39 X 5MM
1508	PVB69	V-BELT B69
1509	PSB10121509	MOTOR PULLEY
1510	PCAP01M	CAP SCREW M6-1 X 16
1511	PSB10121511	TAPER PIN #4 X #1 X 3/4"
1512	PSB10121512	BRAKE BELT BRACKET
1513	PECO9M	E-CLIP 6MM
1514	PSB10121514	BRAKE BELT ADJUSTMENT BAR
1515	PCAP45M	CAP SCREW M8-1.25 X 45
1516	PW01M	FLAT WASHER 8MM
1517	PSB10121517	BRAKE BELT
1518	PSB10121518	CAPTIVE PIN
1519	PSB10141519	MOTOR 5HP 220/440V 7-1/2PH 60HZ
1519-1	PSB10141519-1	MOTOR FAN COVER
1519-2	PSB10141519-2	MOTOR FAN

REF	PART #	DESCRIPTION
1519-3	PSB10141519-3	MOTOR JUNCTION BOX
1520	PSB10121520	SIDE COVER MOUNTING STUD
1521	PS68M	PHLP HD SCR M6-1 X 10
1522	PSB10121522	MOTOR COVER
1523	PNO3M	HEX NUT M8-1.25
1524	PSB10121524	SPRING MOUNTING STUD
1525	PSB10121525	BRAKE BELT EXTENSION SPRING
1526	PCAP60M	CAP SCREW M8-1.25 X 55
1527	PSB10121527	MOUNTING INSERT
1528	PSB10121528	MOTOR MOUNTING 10T/395 X 300MM
1529	PB31M	HEX BOLT M10-1.5 X 40
1530	PLW06M	LOCK WASHER 10MM
1531	PN13M	HEX NUT M16-2
1532	PSB10121532	ALL-THREAD STUD M16-2 X 170
1533	PW08M	FLAT WASHER 16MM
1534	PSB10121534	RUBBER CUSHION SLEEVE
1535	PSB10121535	MOTOR SUPPORT SHAFT
1536	PNO4M	HEX NUT M4-.7
1537	PSB10121537	SIDE COVER SAFETY SWITCH TM1307
1538	PS65M	PHLP HD SCR M4-.7 X 40

# Cabinets & Panels



# Cabinets & Panels Parts List

REF	PART #	DESCRIPTION
1601	PSB10121601	CHIP TRAY
1602	PSB10121602	BRAKE CAM
1603	PCAP01M	CAP SCREW M6-1 X 16
1604	PB56M	CAP SCREW M10-1.5 X 20
1605	PSB10121605	BRAKE FOOT PEDAL
1606	PSB10121606	BRAKE SHAFT
1608	PSB10121608	LOCK COLLAR
1609	PSB10121609	BRAKE SHAFT BRACKET
1610	PSB10121610	RIGHT CABINET
1611	PSB10121611	RIGHT FRONT CABINET COVER
1612	PCAP64M	CAP SCREW M10-1.5 X 25
1613	PSB10121613	CHIP TRAY L-BRACKET
1614	PW04M	FLAT WASHER 10MM
1616	PSB10121616	LEFT CABINET
1617	PSB10121617	LEFT FRONT CABINET COVER
1618	PS05M	PHLP HD SCR M5-.8 X 8
1619	PSB10121619	RIGHT GEARBOX COVER
1620	PSB10121620	SPLASH PAN SUPPORT BRACKET
1621	PSB10121621	SPLASH PAN ROD BRACKET
1622	PCAP02M	CAP SCREW M6-1 X 20
1623	PSS01M	SET SCREW M6-1 X 10
1624	PSB10121624	SPLASH PAN ROD
1625	PFH30M	FLAT HD SCR M5-.8 X 8
1626	PSB10141626	ELECTRICAL CABINET BACK PLATE
1627	PSB10121627	CHUCK GUARD BRACKET
1628	PSS14M	SET SCREW M8-1.25 X 12

REF	PART #	DESCRIPTION
1629	PSB10121629	CHUCK GUARD ROD
1630	PSB10121630	CHUCK GUARD
1631	PSB10121631	KNOB 1/2-13
1632	PNO6	HEX NUT 1/2-13
1633	PB102	HEX BOLT 1/2-13 X 3/4
1634	PCAP26M	CAP SCREW M6-1 X 12
1635	PNO4M	HEX NUT M4-.7
1636	PLW03M	LOCK WASHER 6MM
1637	PSB10121637	SAFETY SWITCH BRACKET
1638	PSB10121638	CHUCK GUARD SAFETY SWITCH
1639	PS65M	PHLP HD SCR M4-.7 X 40
1640	PSS34M	SET SCREW M5-.8 X 16
1642	PNO3M	HEX NUT M8-1.25
1643	PSB10121643	SPLASH GUARD
1644	PSB10121644	REAR CABINET COVER
1645	PS68M	PHLP HD SCR M6-1 X 10
1646	PSB10121646	COOLANT RESERVOIR
1647	PSB10121647	COOLANT PUMP
1648	PSB10121648	HOSE CONNECTOR 1/8 PT X 3/8 PH
1649	PSB10121649	COOLANT HOSE CT801 3/8 X 72"
1650	PSB10121650	LOCK COLLAR
1651	PSS03M	SET SCREW M6-1 X 8
1652	PSB10121652	CABINET SUPPORT ROD
1653	PSB10121653	COOLANT RETURN CHUTE
1654	PSB10121654	CAST IRON FOOT PAD
1655	PB80M	HEX BOLT M16-2 X 55

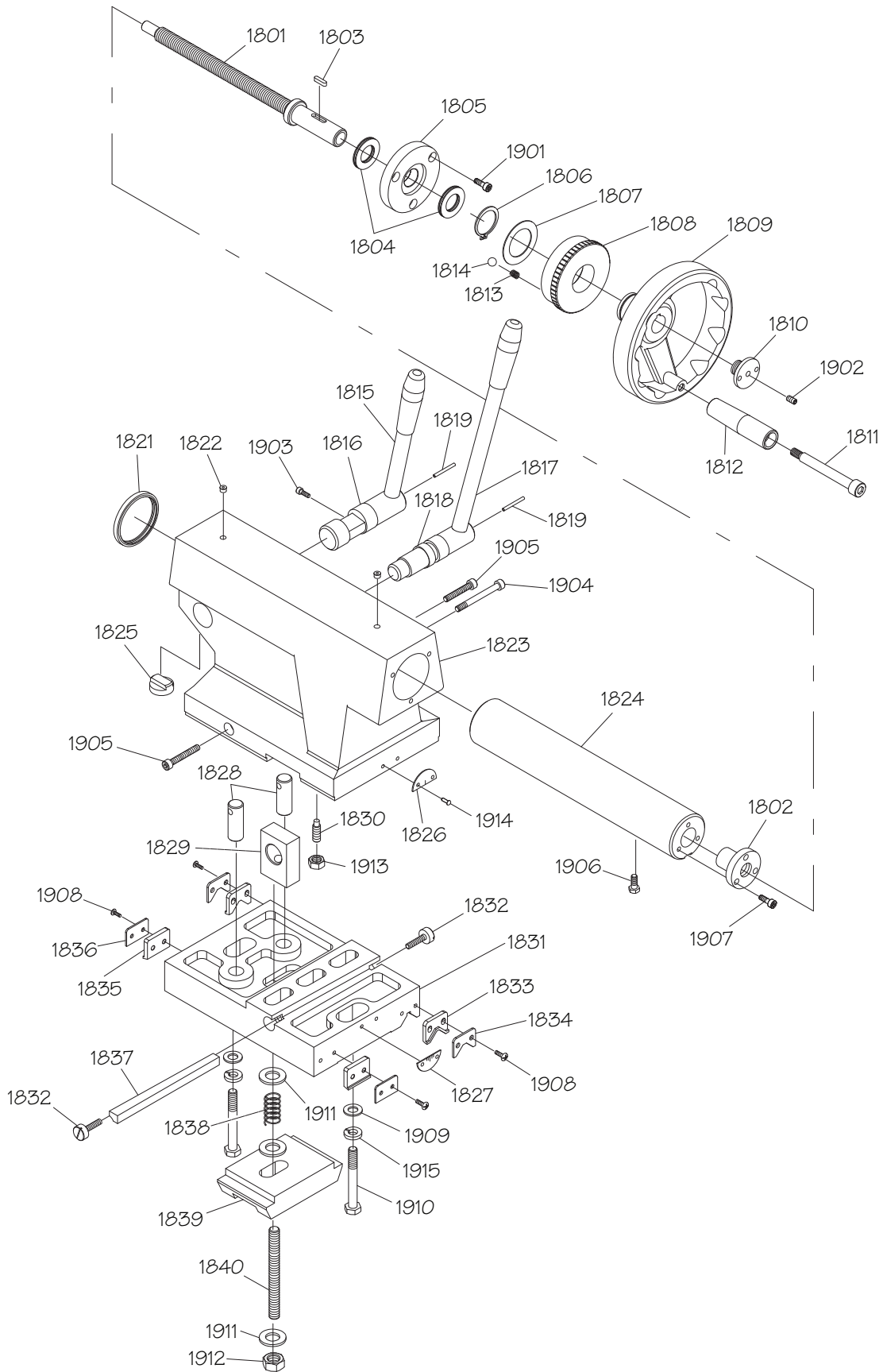


# Headstock Oiling System Parts List

REF	PART #	DESCRIPTION
1701	PSB10121701	ELBOW CONNECTOR
1704	PCAP50M	CAP SCREW M5-.8 X 10
1705	PW02M	FLAT WASHER 5MM
1706	PSB10121706	PIPE CLAMP 10MM
1707	PSB10121707	SENSOR BRACKET
1708	PS34	PHLP HD SCR M3-.5 X 25
1709	PSB10121709	SPINDLE SPEED SENSOR
1710	PNO7M	HEX NUT M3-.5
1711	PSB10121711	MINOR TIP
1712	PRPO2M	ROLL PIN 3 X 16
1713	PSB10121713	SPINDLE BALANCE RING
1714	PSB10121714	HEADSTOCK OIL DRAIN SCREEN
1715	PSB10121715	HOSE CLAMP 1-3/4"
1716	PSB10121716	OIL RETURN HOSE 1-1/4 X 17"
1717	PCAP02M	CAP SCREW M6-1 X 20
1718	PNO1M	HEX NUT M6-1
1719	PCAP04M	CAP SCREW M6-1 X 10
1720	PSB10121720	OIL RESERVOIR COVER 129.5MM
1721	PSB10121721	OIL PRESSURE SWITCH
1722	PSB10121722	PIPE T-JOINT 1/4 PT

REF	PART #	DESCRIPTION
1723	PSB10121723	PIPE CONNECTOR 1/4 PT X 1/4 PT
1724	PSB10121724	LUBRICATION PUMP
1725	PSB10121725	LUBRICATION MOTOR 1/4HP 220V 3PH
1725-1	PSB10121725-1	MOTOR FAN COVER
1725-2	PSB10121725-2	MOTOR FAN
1725-3	PSB10121725-3	MOTOR JUNCTION BOX
1726	PSB10121726	ELBOW CONNECTOR 3/8 PT X 1/4 PT
1727	PSB10121727	RUBBER RING 3/8"
1728	PSB10121728	STAND PIPE 3/8 PT X 8"
1729	PSB10121729	NYLON OIL DELIVERY TUBE 10 X 100MM
1730	PSB10121730	OIL RESERVOIR FILL CAP 1 PT
1731	PSB10121731	OIL LEVEL GLASS 3"
1732	PSB10121732	OIL DRAIN PLUG 3/4 PT
1733	PSB10121733	OIL RESERVOIR
1734	PW03M	FLAT WASHER 6MM
1735	PCAP01M	CAP SCREW M6-1 X 16
1736	PCAP14M	CAP SCREW M8-1.25 X 20
1737	PW01M	FLAT WASHER 8MM
1738	PNO3M	HEX NUT M8-1.25
1739	PSB10121739	ELECTRICAL CABINET

# Tailstock

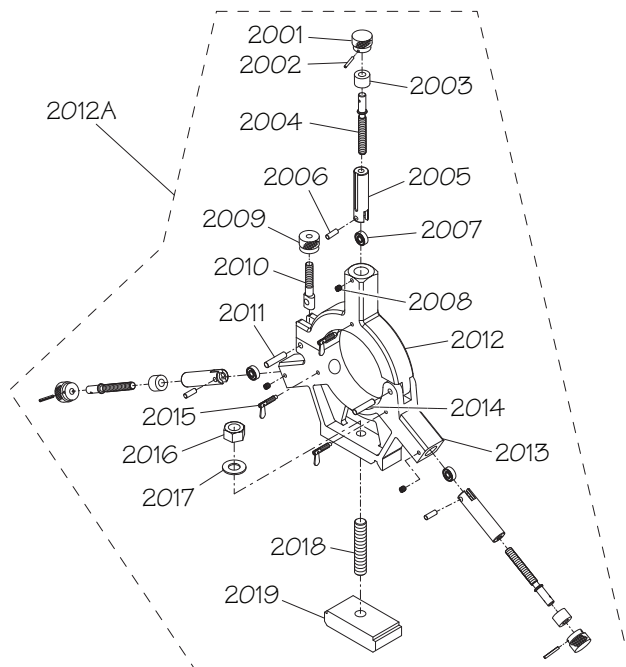


# Tailstock Parts List

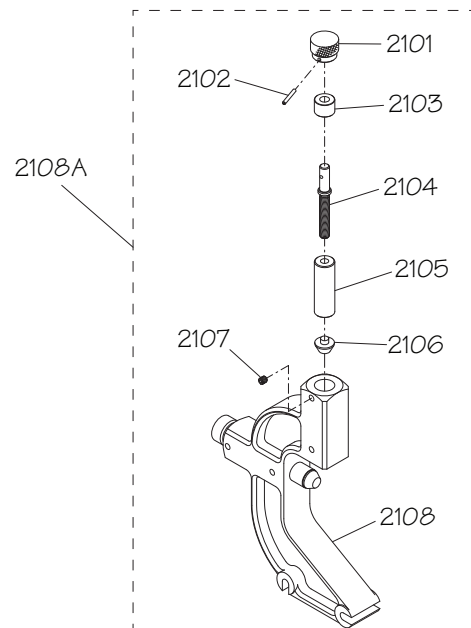
REF	PART #	DESCRIPTION
1801	PSB10371801	INCH TAILSTOCK LEADSCREW
1802	PSB10371802	INCH LEADSCREW NUT
1803	PSB10371803	KEY 5 X 5 X 20
1804	PSB10371804	THRUST BEARING MTB/AS2-2035
1805	PSB10371805	INCH LEADSCREW FLANGE BRACKET
1806	PSB10371806	EXT RETAINING RING 32MM
1807	PSB10371807	INDEX DIAL SPACER
1808	PSB10371808	INCH INDEX RING
1809	PSB10371809	HANDWHEEL
1810	PSB10371810	HANDWHEEL WASHER 6MM
1811	PSB10371811	HANDLE BOLT M8-1.25 X 90
1812	PSB10371812	HANDWHEEL HANDLE
1813	PSB10371813	COMPRESSION SPRING 6 X 16
1814	PSB10371814	STEEL BALL 1/4
1815	PSB10371815	QUILL LOCK LEVER
1816	PSB10371816	QUILL LOCK CAM SHAFT
1817	PSB10371817	TAILSTOCK LOCK LEVER
1818	PSB10371818	TAILSTOCK LOCK CAM SHAFT
1819	PSB10371819	ROLL PIN 4 X 24
1821	PSB10371821	OIL SEAL DH53
1822	PSB10371822	TAP-IN BALL OILER 1/4
1823	PSB10371823	TAILSTOCK CASTING
1824	PSB10371824	TAILSTOCK QUILL
1825	PSB10371825	QUILL GUIDE KEY
1826	PSB10371826	TOP OFFSET INDEX PLATE
1827	PSB10371827	BOTTOM OFFSET INDEX PLATE
1828	PSB10371828	TAILSTOCK ALIGNMENT PIN

REF	PART #	DESCRIPTION
1829	PSB10371829	PIVOT BLOCK
1830	PSB10371830	DOG POINT SET SCREW
1831	PSB10371831	TAILSTOCK BASE
1832	PSB10371832	GIB ADJUSTMENT SCREW
1833	PSB10371833	V-WAY WIPER
1834	PSB10371834	V-WAY WIPER PLATE
1835	PSB10371835	FLAT-WAY WIPER
1836	PSB10371836	FLAT-WAY WIPER PLATE
1837	PSB10371837	TAILSTOCK GIB
1838	PSB10371838	COMPRESSION SPRING 25 X 45
1839	PSB10371839	CLAMP BLOCK
1840	PSB10371840	TAILSTOCK STUD M14-2 X 110
1901	PSB10371901	CAP SCREW M6-1 X 16
1902	PSB10371902	SET SCREW M6-1 X 12
1903	PSB10371903	CAP SCREW M6-1 X 12
1904	PSB10371904	CAP SCREW M8-1.25 X 70
1905	PSB10371905	CAP SCREW M8-1.25 X 60
1906	PSB10371906	CAP SCREW M6-1 X 8
1907	PSB10371907	CAP SCREW M6-1 X 16
1908	PSB10371908	PHLP HD SCR M5-.8 X 12
1909	PSB10371909	FLAT WASHER 10MM
1910	PSB10371910	HEX BOLT M10-1.5 X 55
1911	PSB10371911	FLAT WASHER 14MM
1912	PSB10371912	HEX NUT M14-2
1913	PSB10371913	HEX NUT M8-1.25
1914	PSB10371914	STEEL FLUTED RIVET 2 X 5MM
1915	PSB10371915	LOCK WASHER 10MM

# Steady Rest



# Follow Rest

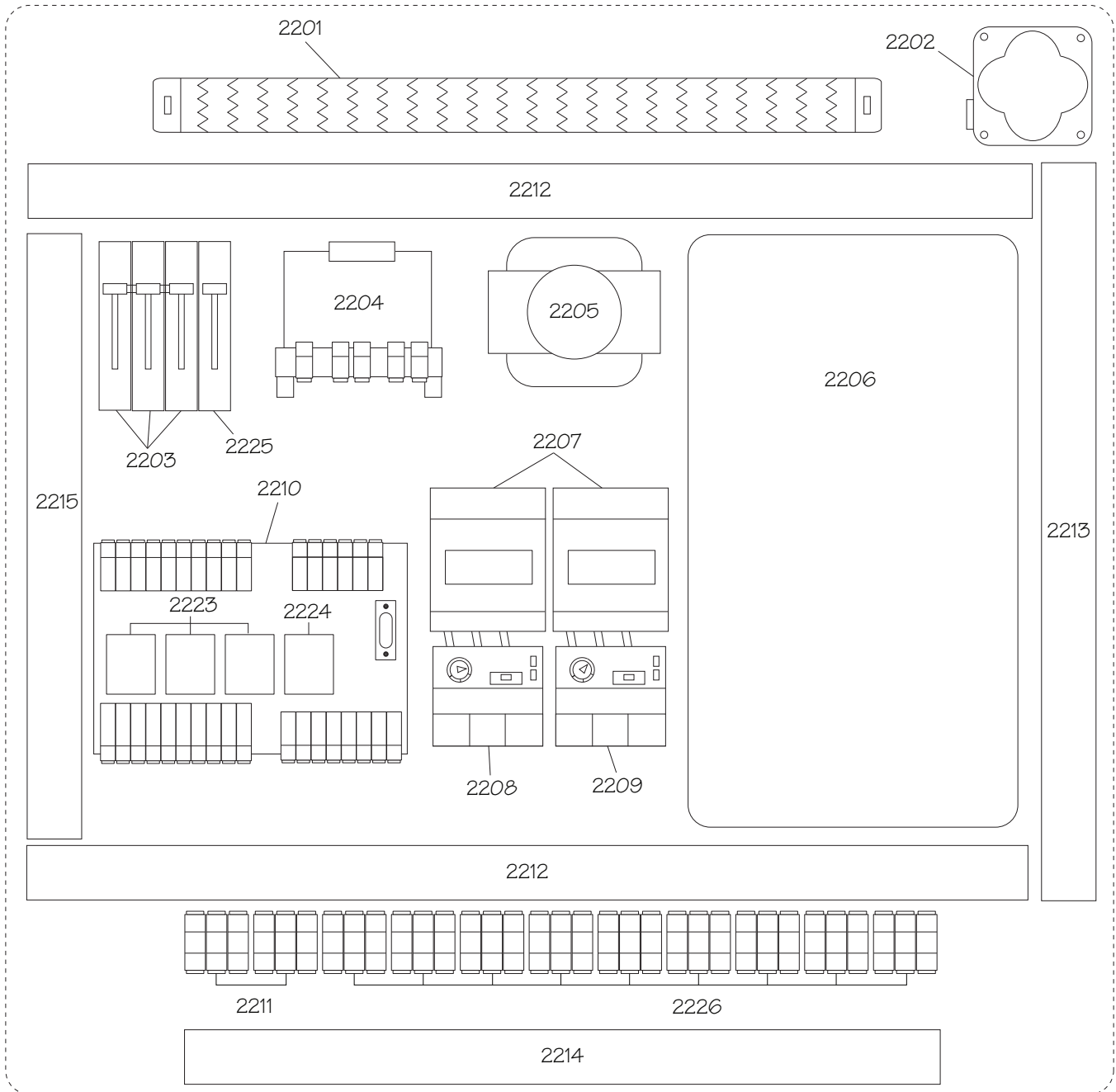


REF	PART #	DESCRIPTION
2001	PSB10122001	FINGER ADJUSTMENT KNOB
2002	PRP51M	ROLL PIN 4 X 40
2003	PSB10122003	FINGER COLLAR
2004	PSB10122004	FINGER STUD
2005	PSB10122005	STEADY REST FINGER
2006	PSB10122006	BEARING DOWEL PIN
2007	P627ZZ	BALL BEARING P627ZZ
2008	PS520M	SET SCREW M8-1.25 X 8
2009	PSB10122009	CLAMP STUD KNOB
2010	PSB10122010	CLAMP STUD
2011	PSB10122011	CLAMP STUD DOWEL PIN
2012	PSB10142012	TOP STEADY REST CASTING
2012A	PSB10142012A	STEADY REST ASSEMBLY
2013	PSB10142013	BOTTOM STEADY REST CASTING
2014	PSB10122014	HINGE PIN
2015	PSB10122015	SINGLE WING SCREW
2016	PNO9M	HEX NUT M12-1.75
2017	PLW05M	LOCK WASHER 12MM
2018	PSB10122018	STUD M12-1.75 X 75
2019	PSB10122019	CLAMP PLATE

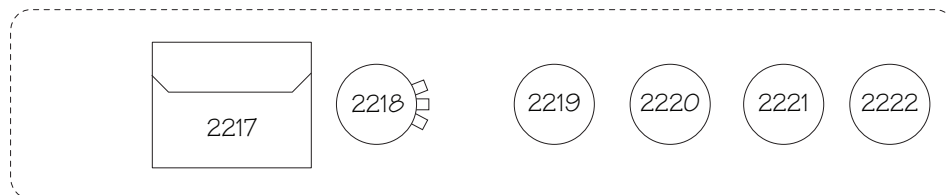
REF	PART #	DESCRIPTION
2101	PSB10122001	FINGER ADJUSTMENT KNOB
2102	PRP51M	ROLL PIN 4 X 40
2103	PSB10122003	FINGER COLLAR
2104	PSB10122104	FINGER STUD
2105	PSB10122105	FOLLOW REST FINGER
2106	PSB10122106	FINGER TIP
2107	PS520M	SET SCREW M8-1.25 X 8
2108	PSB10142108	FOLLOW REST CASTING
2108A	PSB10142108A	FOLLOW REST ASSEMBLY

# Electrical Cabinet & Control Panel

## Electrical Cabinet



## Control Panel

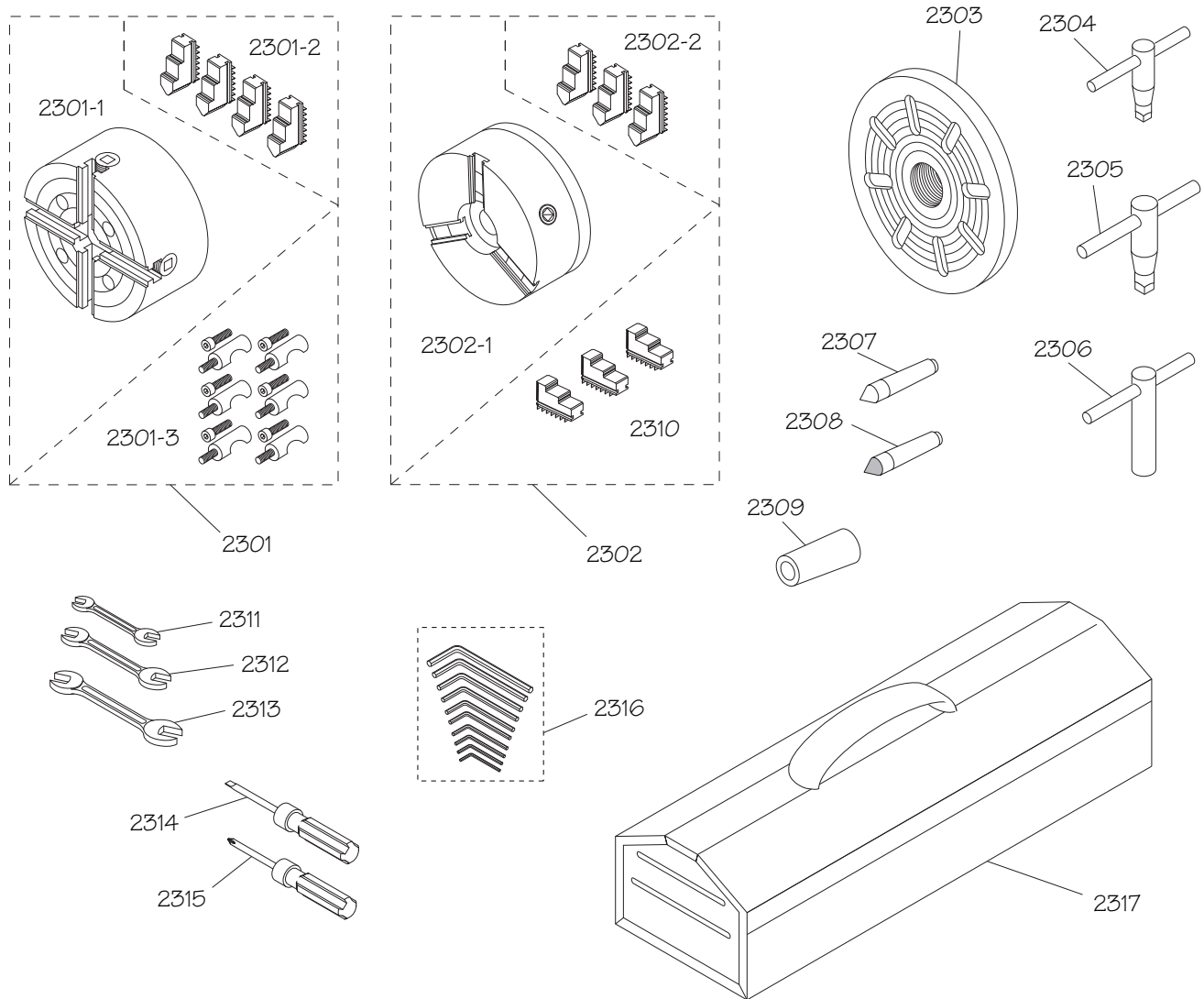


# Electrical Cabinet & Control Panel Parts List

REF	PART #	DESCRIPTION
2201	P5B10142201	RESISTOR 800W 20-0HM (5B1037)
2201	P5B10152201	RESISTOR 600W 100-0HM (5B1038)
2202	P5B10122202	CABINET COOLING FAN
2203	P5B10122203	CIRCUIT BREAKER 20A
2204	P5B10122204	TRANSFORMER 24-440V
2205	P5B10122205	MAIN POWER SWITCH
2206	P5B10142206	INVERTER YASKAWA CIMR-G7A25P5 (5B1037)
2206	P5B10152206	INVERTER YASKAWA CIMR-G7A45P5 (5B1038)
2207	P5B10122207	CONTACTOR AB 100-C09400 24V
2208	P5B10122208	OL RELAY AB 193-TAA40 0.24-0.4A
2209	P5B10122209	OL RELAY AB 193TAB24 1.6-2.5A (5B1037)
2209	P5B10132209	OL RELAY AB 193TAB10 0.6-1.0A (5B1038)
2210	P5B10122210	CIRCUIT BOARD
2211	P5B10122211	TERMINAL BLOCK 3-POST 30A

REF	PART #	DESCRIPTION
2212	P5B10122212	WIRE LOOM 17 IN
2213	P5B10122213	WIRE LOOM 16 IN
2214	P5B10122214	WIRE LOOM 14 IN
2215	P5B10122215	WIRE LOOM 12 IN
2217	P5B10122217	TACHOMETER DISPLAY
2218	P5B10122218	SPINDLE SPEED DIAL
2219	P5B10122219	POWER LAMP
2220	P5B10122220	COOLANT PUMP SWITCH
2221	P5B10122221	SPINDLE JOG BUTTON
2222	P5B10122222	EMERGENCY STOP BUTTON
2223	P5B10122223	RELAY OMRON MY4NJ 24VAC
2224	P5B10122224	RELAY OMRON NY2NJ 24VAC
2225	P5B10122225	CIRCUIT BREAKER 6A
2226	P5B10122226	TERMINAL BLOCK 3-POST 15A

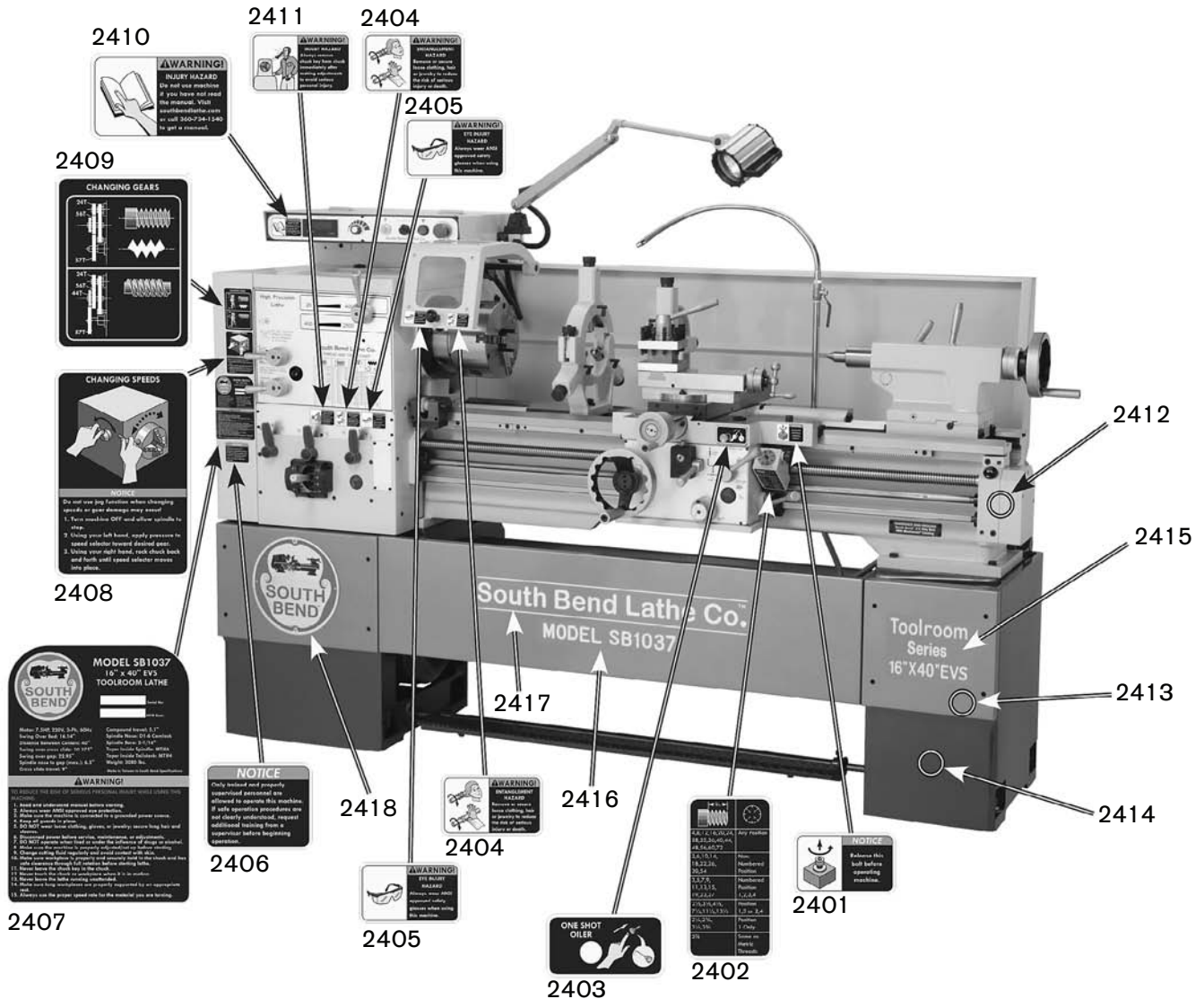
# Accessories



REF	PART #	DESCRIPTION
2301	PSB10122301	4-JAW CHUCK 10" ASSEMBLY
2301-1	PSB10122301-1	4-JAW CHUCK 10"
2301-2	PSB10122301-2	4-JAW CHUCK JAW SET
2301-3	PSB10122301-3	4-JAW CHUCK CAMLOCK STUD SET
2302	PSB10122302	3-JAW CHUCK 8" ASSEMBLY
2302-1	PSB10122302-1	3-JAW CHUCK 8"
2302-2	PSB10122302-2	3-JAW CHUCK STANDARD JAW SET
2303	PSB10122303	FACEPLATE ASSEMBLY 12"
2304	PSB10122304	3-JAW CHUCK KEY
2305	PSB10122305	4-JAW CHUCK KEY
2306	PSB10122306	TOOL POST T-WRENCH

REF	PART #	DESCRIPTION
2307	PSB10122307	STANDARD DEAD CENTER MT#4
2308	PSB10122308	CARBIDE TIP DEAD CENTER MT#4
2309	PSB10122309	SPINDLE SLEEVE MT#4/MT#6
2310	PSB10122310	3-JAW CHUCK REVERSIBLE JAW SET
2311	PWR1012	WRENCH 10/12MM
2312	PWR1417	WRENCH 14/17MM
2313	PWR2224	WRENCH 22/24MM
2314	PSDF2	SCREWDRIVER FLAT #2
2315	PSDP2	SCREWDRIVER PHILLIPS #2
2316	PAW1510M	HEX WRENCH SET 10PC 1.5-10 MM
2317	PSB10122317	TOOLBOX

# Machine Labels (Front View)



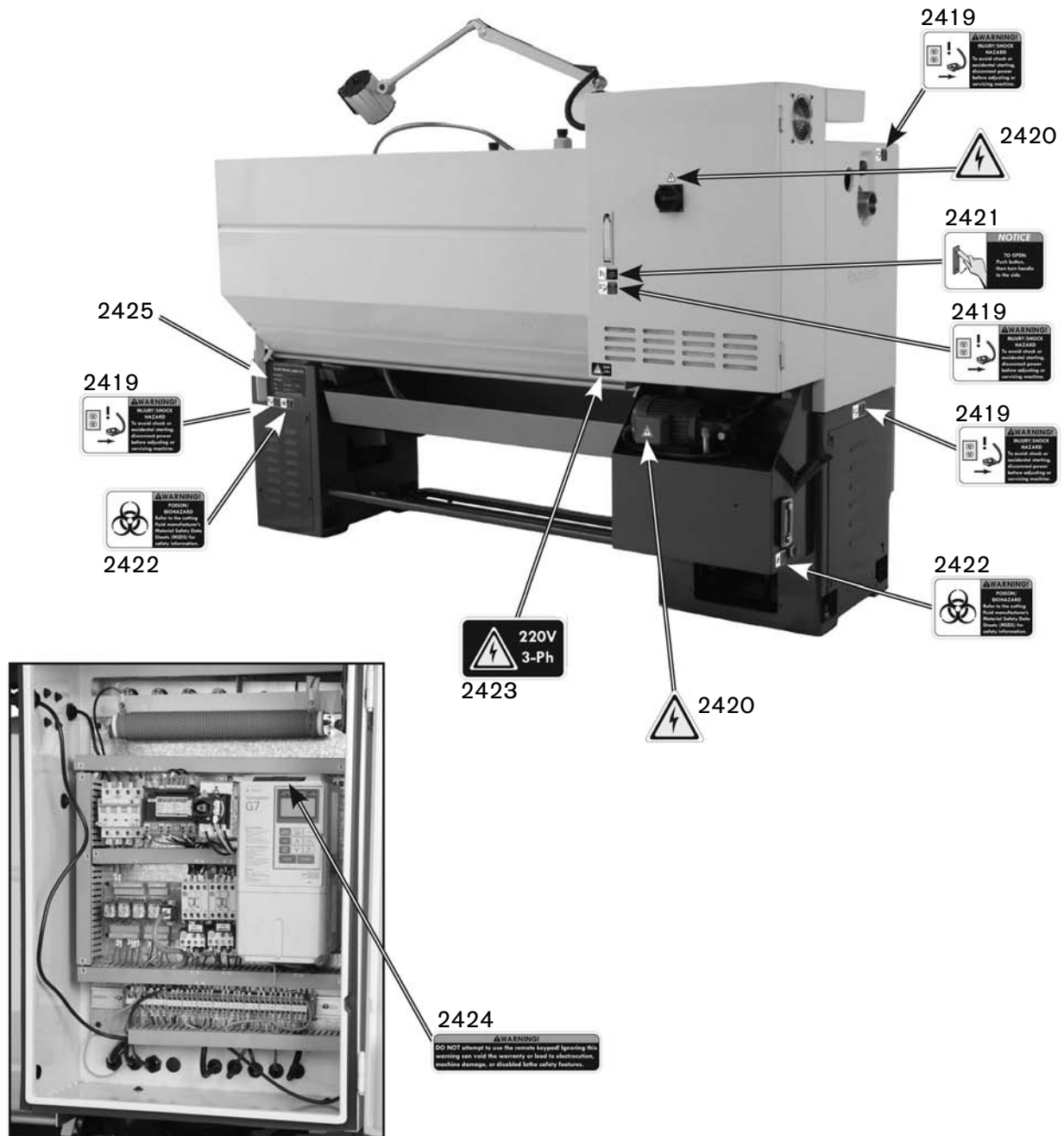
REF	PART #	DESCRIPTION
2401	PSB10122401	RELEASE BOLT NOTICE LABEL
2402	PSB10122402	THREAD DIAL CHART LABEL
2403	PSB10122403	ONE-SHOT OILER LABEL
2404	PSBLABELO8HS	ENTANGLEMENT HAZARD LABEL
2405	PSBLABELO4HS	EYE INJURY HAZARD LABEL
2406	PSB10122406	AUTHORIZED PERSONNEL NOTICE LABEL
2407	PSB10372407	MACHINE ID LABEL (SB1037)
2407	PSB10382407	MACHINE ID LABEL (SB1038)
2408	PSB10122408	CHANGING SPEEDS NOTICE LABEL
2409	PSB10122409	CHANGING GEARS LABEL

REF	PART #	DESCRIPTION
2410	PSBLABELO1HS	READ MANUAL LABEL
2411	PSB10122411	CHUCK KEY HAZARD LABEL
2412	PSBPAINT01	SB GRAY TOUCH-UP PAINT
2413	PSBPAINT02	SB LIGHT BLUE TOUCH-UP PAINT
2414	PSBPAINT03	SB DARK BLUE TOUCH-UP PAINT
2415	PSB10137415	TOOL ROOM SERIES LABEL
2416	PSB10372416	MODEL NUMBER LABEL (SB1037)
2416	PSB10382416	MODEL NUMBER LABEL (SB1038)
2417	PSB10122417	SB LATHE CO LABEL
2418	SB1322	SOUTH BEND NAMEPLATE 255MM

## ⚠ WARNING

The safety labels provided with your machine are used to make the operator aware of the machine hazards and ways to prevent injury. The owner of this machine **MUST** maintain the original location and readability of these safety labels. If any label is removed or becomes unreadable, **REPLACE** that label before using the machine again. Contact South Bend Lathe Co. at (360) 734-1540 or [www.southbendlathe.com](http://www.southbendlathe.com) to order new labels.

# Machine Labels (Rear View)



REF	PART #	DESCRIPTION
2419	PSBLABEL01HS	DISCONNECT POWER LABEL
2420	PSBLABEL15M	ELECTRICITY LABEL
2421	PSB10122421	ELECTRICAL CABINET LATCH LABEL
2422	PSBLABEL06HS	BIOHAZARD LABEL

REF	PART #	DESCRIPTION
2423	PSB10122423	220V 3-PHASE LABEL (SB1037)
2423	PSB10132423	440V 3-PHASE LABEL (SB1038)
2424	PSB10122424	INVERTER WARNING LABEL
2425	PSB10142425	MOTOR SPECIFICATIONS PLATE



**South Bend Lathe Co.  
P.O. Box 2027  
Bellingham, WA 98227**

**PHONE: (360) 734-1540 (Administrative Offices)**

**FAX: (360) 676-1075 (International)**

**FAX: (360) 734-1639 (USA only)**

**[southbendlathe.com](http://southbendlathe.com)**

