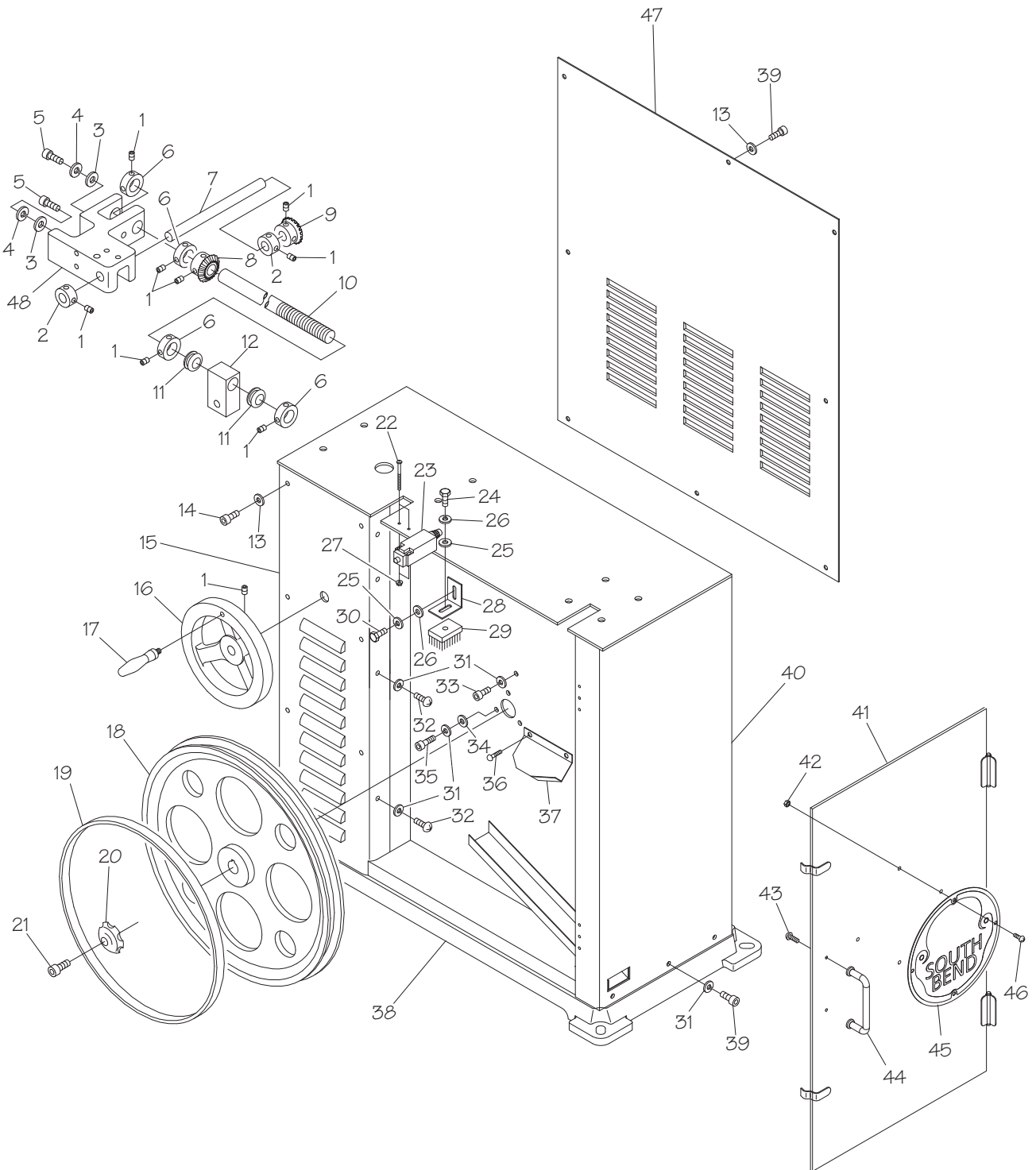


Lower Frame



Lower Frame Parts List

REF	PART #	DESCRIPTION
1	PS820M	SET SCREW M8-1.25 X 8
2	PSB1021002	LOCK COLLAR
3	PW04M	FLAT WASHER 10MM
4	PLW06M	LOCK WASHER 10MM
5	PCAP72M	CAP SCREW M10-1.5 X 30
6	PSB1021006	LOCK COLLAR
7	PSB1021007	SHAFT
8	PSB1021008	BEVEL GEAR
9	PSB1021009	BEVEL GEAR
10	PSB1021010	LEADSCREW
11	PSB1021011	RUBBER RING
12	PSB1021012	LEADSCREW NUT
13	PW01M	FLAT WASHER 8MM
14	PCAP14M	CAP SCREW M8-1.25 X 20
15	PSB1021015	FRONT VENT COVER
16	PSB1021016	HANDWHEEL
17	PSB1021017	HANDWHEEL HANDLE
18	PSB1021018	DRIVE WHEEL
19	PSB1021019	RUBBER TIRE
20	PSB1021020	LOCK KNOB
21	PCAP31M	CAP SCREW M8-1.25 X 25
22	PS48M	PHLP HD SCR M4-.7 X 50
23	PSB1021023	LOWER DOOR SAFETY SWITCH
24	PB08M	HEX BOLT M6-1 X 20

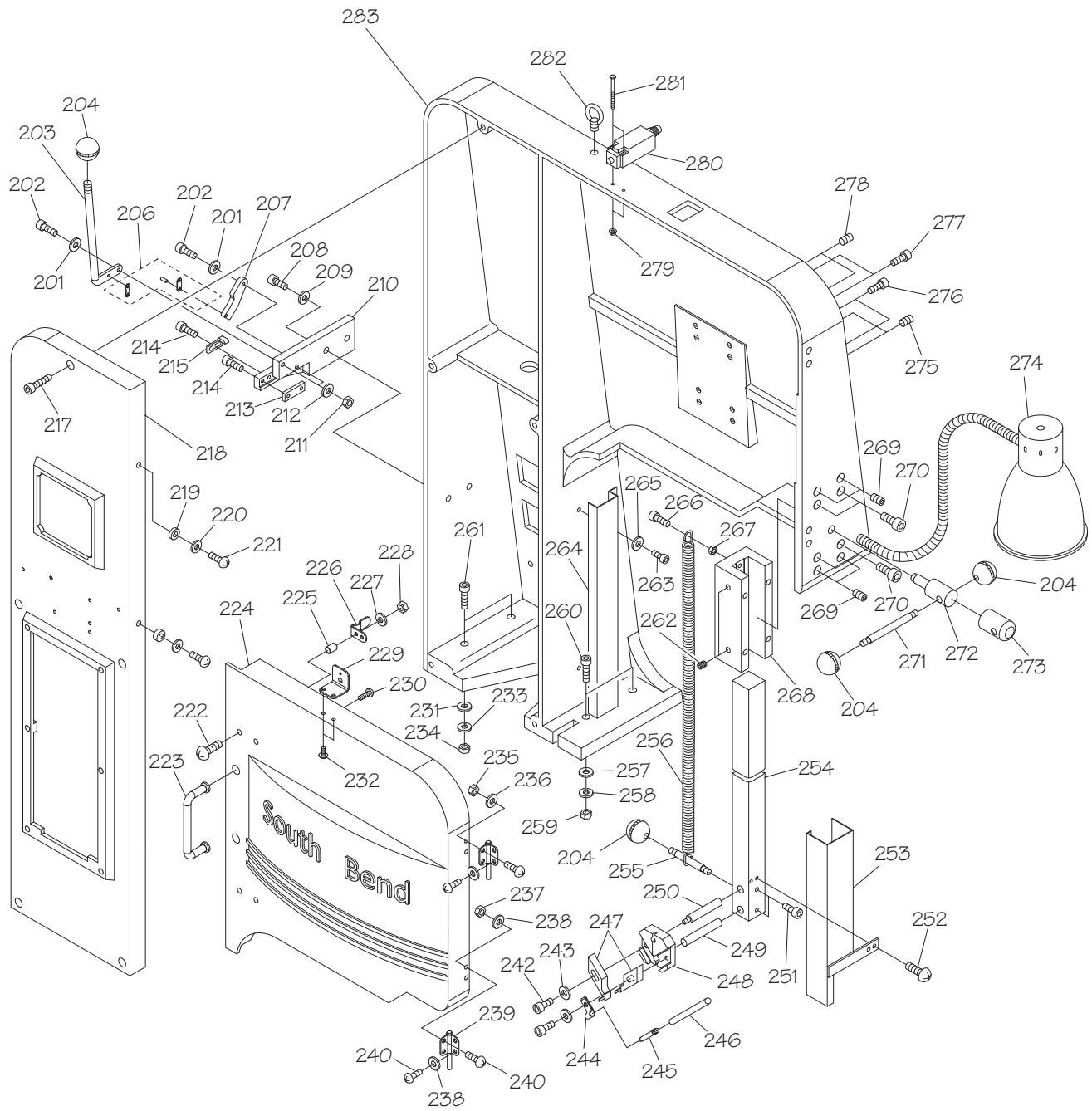
REF	PART #	DESCRIPTION
25	PW03M	FLAT WASHER 6MM
26	PLW03M	LOCK WASHER 6MM
27	PFN07M	FLANGE NUT M4-.7
28	PSB1021028	BRACKET
29	PSB1021029	BRUSH
30	PB08M	HEX BOLT M6-1 X 20
31	PLW04M	LOCK WASHER 8MM
32	PS16M	PHLP HD SCR M8-1.25 X 16
33	PCAP31M	CAP SCREW M8-1.25 X 25
34	PW01M	FLAT WASHER 8MM
35	PCAP13M	CAP SCREW M8-1.25 X 30
36	PSB1021036	RIVET 5 X 20
37	PSB1021037	CHIP DEFLECTOR
38	PSB1021038	BASE
39	PCAP14M	CAP SCREW M8-1.25 X 20
40	PSB1021040	LOWER FRAME
41	PSB1021041	LOWER DOOR
42	PNO6M	HEX NUT M5-.8
43	PS03M	PHLP HD SCR M6-1 X 8
44	PSB1021044	DOOR HANDLE
45	PSB1021045	SOUTH BEND NAMEPLATE
46	PS05M	PHLP HD SCR M5-.8 X 8
47	PSB1021047	LOWER REAR COVER
48	PSB1021048	BRACKET

Drive System Parts List

REF	PART #	DESCRIPTION
100	P5B1021100	GREASE FITTING
101	PRO3M	EXT RETAINING RING 12MM
102	P6201Z-N	BALL BEARING 6201 Z NSK
103	P5B1021103	STATIONARY PULLEY
104	PVM26	V-BELT M26
105	P5S20M	SET SCREW M8-1.25 X 8
106	P5B1021106	AIR PUMP PULLEY
107	PCAP02M	CAP SCREW M6-1 X 20
108	PLW03M	LOCK WASHER 6MM
109	PW03M	FLAT WASHER 6MM
110	P5B1021110	PUMP HOUSING
111	P6201Z-N	BALL BEARING 6201 Z NSK
112	P5B1021112	PUMP ROTOR
113	P5B1021113	ROTOR BLADE
114	P5B1021114	AIR NOZZLE
115	P5B1021115	AIR HOSE
116	P5B1021116	NOZZLE HOUSING
117	P5B1021117	END CAP
118	PLW03M	LOCK WASHER 6MM
119	PCAP01M	CAP SCREW M6-1 X 16
120	PVA40	V-BELT A40
121	P5B1021121	MOTOR PULLEY
122	PVA36	V-BELT A36
123	PCAP02M	CAP SCREW M6-1 X 20
124	PN09M	HEX NUT M12-1.75
125	PCAP170M	CAP SCREW M12-1.75 X 70
126	PW06M	FLAT WASHER 12MM
127	P5B1021127	CONNECTOR
128	PCAP119M	CAP SCREW M12-1.75 X 55
129	PK23M	KEY 5 X 5 X 25
130	PNO3M	HEX NUT M8-1.25
131	PLW04M	LOCK WASHER 8MM
132	PW01M	FLAT WASHER 8MM
133	PCAP40M	CAP SCREW M8-1.25 X 35
134	P5B1021134	MOTOR 1HP 110/220V 1PH (SB1021)
134	P5B1022134	MOTOR 1HP 220V 3PH (SB1022)
134-1	P5B1021134-1	MOTOR FAN COVER (SB1021)
134-1	P5B1022134-1	MOTOR FAN COVER (SB1022)
134-2	P5B1021134-2	MOTOR FAN (SB1021)
134-2	P5B1022134-2	MOTOR FAN (SB1022)
134-3	P5B1021134-3	MOTOR WIRING BOX (SB1021)
134-3	P5B1021134-3	MOTOR WIRING BOX (SB1022)
134-4	P5B1021134-4	CAPACITOR COVER(SB1021)
134-5	P5B1021134-5	S CAPACITOR 400M 125V (SB1021)
135	P5B1021135	WIRING GROMMET
136	P5B1021136	MOTOR CORD
137	P5B1021137	BRACKET
138	PLW06M	LOCK WASHER 10MM

REF	PART #	DESCRIPTION
139	PCAP84M	CAP SCREW M10-1.5 X 35
140	PCAP63M	CAP SCREW M12-1.75 X 60
141	P5B1021141	SUPPORT ARM
142	P5B1021142	SHAFT
143	PFH05M	FLAT HD SCR M5-.8 X 12
144	P5B1021144	SLEEVE
145	P5B1021145	MOVABLE PULLEY
146	PFH05M	FLAT HD SCR M5-.8 X 12
148	PCAP11M	CAP SCREW M8-1.25 X 16
149	P5B1021149	SPROCKET
150	P5B1021150	CHAIN
151	P5B1021151	HUB
152	P5B1021152	BEARING SEAT
153	P6205-OPEN-N	BALL BEARING 6205 OPEN NSK
154	PCAP13M	CAP SCREW M8-1.25 X 30
155	PW01M	FLAT WASHER 8MM
156	PK160M	KEY 6 X 6 X 65
157	PK42M	KEY 6 X 6 X 30
158	P5B1021158	SHAFT
159	PR11M	EXT RETAINING RING 25MM
160	P5B1021160	PILLOW BLOCK BEARING
161	PLW06M	LOCK WASHER 10MM
162	PCAP84M	CAP SCREW M10-1.5 X 35
163	P5B1021163	PLATE
164	PRO8M	EXT RETAINING RING 19MM
165	P5B1021165	PULLEY
166	PVA47	V-BELT A47
167	PCAP84M	CAP SCREW M10-1.5 X 35
168	PCAP40M	CAP SCREW M8-1.25 X 35
169	P5B1021169	BEARING SEAT
170	P6204Z-N	BALL BEARING 6204 Z NSK
171	PK74M	KEY 6 X 6 X 35
172	P5B1021172	SPROCKET SHAFT
173	P5B1021173	BRACKET
174	PCAP84M	CAP SCREW M10-1.5 X 35
175	PLW06M	LOCK WASHER 10MM
176	P5B1021176	PIVOT SHAFT
177	P5B1021177	PULLEY
178	PR25M	INT RETAINING RING 47MM
179	P5B1021179	BLOCK
180	P5B1021180	SHAFT
181	PRO5M	EXT RETAINING RING 15MM
182	PR21M	INT RETAINING RING 35MM
183	P5B1021183	PULLEY
184	PR21M	INT RETAINING RING 35MM
185	PRO5M	EXT RETAINING RING 15MM
186	P6202ZZ-N	BALL BEARING 6202 ZZ NSK
187	P6202Z-N	BALL BEARING 6202 Z NSK

Upper Frame



Upper Frame Parts List

REF	PART #	DESCRIPTION
201	PW03M	FLAT WASHER 6MM
202	PCAP06M	CAP SCREW M6-1 X 25
203	PSB1021203	LEVER
204	PSB1021204	KNOB
206	PSB1021206	LOCKING LINK
207	PSB1021207	UPPER SHEAR BLADE
208	PCAP13M	CAP SCREW M8-1.25 X 30
209	PW01M	FLAT WASHER 8MM
210	PSB1021210	SHEAR BRACKET
211	PNO1M	HEX NUT M6-1
212	PW03M	FLAT WASHER 6MM
213	PSB1021213	LOWER SHEAR BLADE
214	PCAP03M	CAP SCREW M5-.8 X 8
215	PSB1021215	ALIGNMENT BRACKET
217	PCAP40M	CAP SCREW M8-1.25 X 35
218	PSB1021218	WELDING STATION COVER
219	PSB1021219	SPACER
220	PLW04M	LOCK WASHER 8MM
221	PS04M	PHLP HD SCR M8-1.25 X 20
222	PS40M	PHLP HD SCR M5-.8 X 16
223	PSB1021223	HANDLE
224	PSB1021224	UPPER DOOR
225	PSB1021225	SPACER
226	PSB1021226	DOOR LATCH
227	PLW01M	LOCK WASHER 5MM
228	PNO6M	HEX NUT M5-.8
229	PSB1021229	SAFETY SWITCH BRACKET
230	PS11M	PHLP HD SCR M6-1 X 16
231	PW04M	FLAT WASHER 10MM
232	PS08M	PHLP HD SCR M5-.8 X 12
233	PLW06M	LOCK WASHER 10MM
234	PNO2M	HEX NUT M10-1.5
235	PNO6M	HEX NUT M5-.8
236	PLW01M	LOCK WASHER 5MM
237	PNO6M	HEX NUT M5-.8
238	PLW01M	LOCK WASHER 5MM
239	PSB1021239	HINGE
240	PS40M	PHLP HD SCR M5-.8 X 16
242	PCAP06M	CAP SCREW M6-1 X 25
243	PW03M	FLAT WASHER 6MM

REF	PART #	DESCRIPTION
244	PSB1021244	HOSE CLAMP
245	PSB1021245	AIR NOZZLE
246	PSB1021246	AIR HOSE
247	PSB1021247	BLADE GUIDE
248	PSB1021248	BLADE GUIDE BRACKET
249	PSB1021249	SPECIAL DOWEL PIN
250	PSB1021250	THREADED PIN
251	PCAP04M	CAP SCREW M6-1 X 10
252	PS11M	PHLP HD SCR M6-1 X 16
253	PSB1021253	UPPER BLADE GUARD
254	PSB1021254	BLADE GUIDE BAR
255	PSB1021255	HANDLE
256	PSB1021256	EXTENSION SPRING
257	PW04M	FLAT WASHER 10MM
258	PLW06M	LOCK WASHER 10MM
259	PNO2M	HEX NUT M10-1.5
260	PCAP70M	CAP SCREW M10-1.5 X 45
261	PCAP71M	CAP SCREW M10-1.5 X 60
262	PS514M	SET SCREW M8-1.25 X 12
263	PCAP01M	CAP SCREW M6-1 X 16
264	PSB1021264	BLADE COVER
265	PLW03M	LOCK WASHER 6MM
266	PCAP01M	CAP SCREW M6-1 X 16
267	PNO1M	HEX NUT M6-1
268	PSB1021268	BLADE GUIDE BAR HOUSING
269	PS594M	SET SCREW M10-1.5 X 25
270	PCAP40M	CAP SCREW M8-1.25 X 35
271	PSB1021271	THREADED STUD
272	PSB1021272	LOCKING HUB
273	PSB1021273	LOCKING HUB COVER
274	PSB1021274	WORK LAMP 110V
275	PS510M	SET SCREW M10-1.5 X 20
276	PCAP13M	CAP SCREW M8-1.25 X 30
277	PCAP13M	CAP SCREW M8-1.25 X 30
278	PS510M	SET SCREW M10-1.5 X 20
279	PNO4M	HEX NUT M4-.7
280	PSB1021280	UPPER DOOR SAFETY SWITCH
281	PS48M	PHLP HD SCR M4-.7 X 50
282	PSB1021282	LIFTING EYE BOLT
283	PSB1021283	UPPER FRAME

Table & Tensioning System

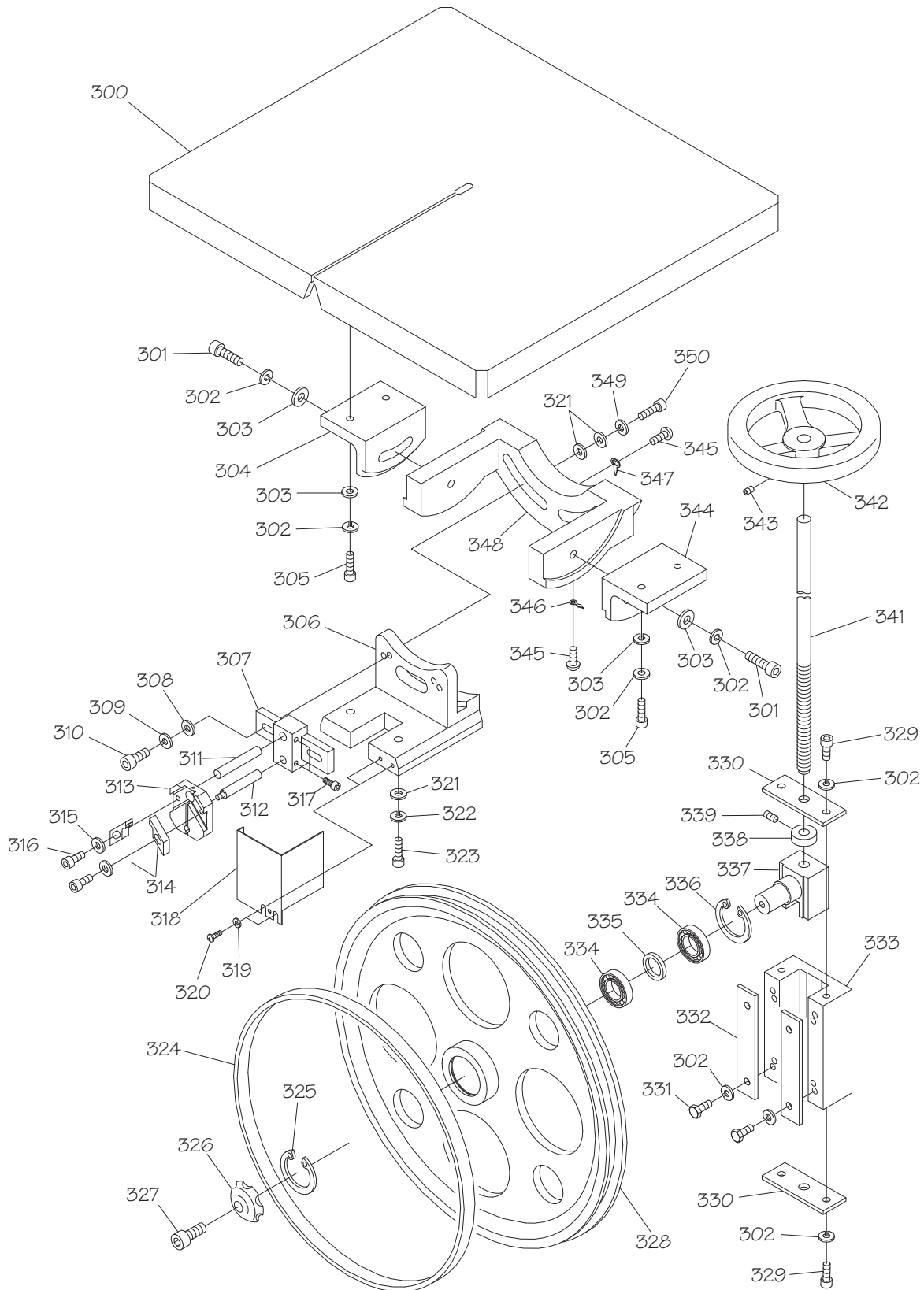
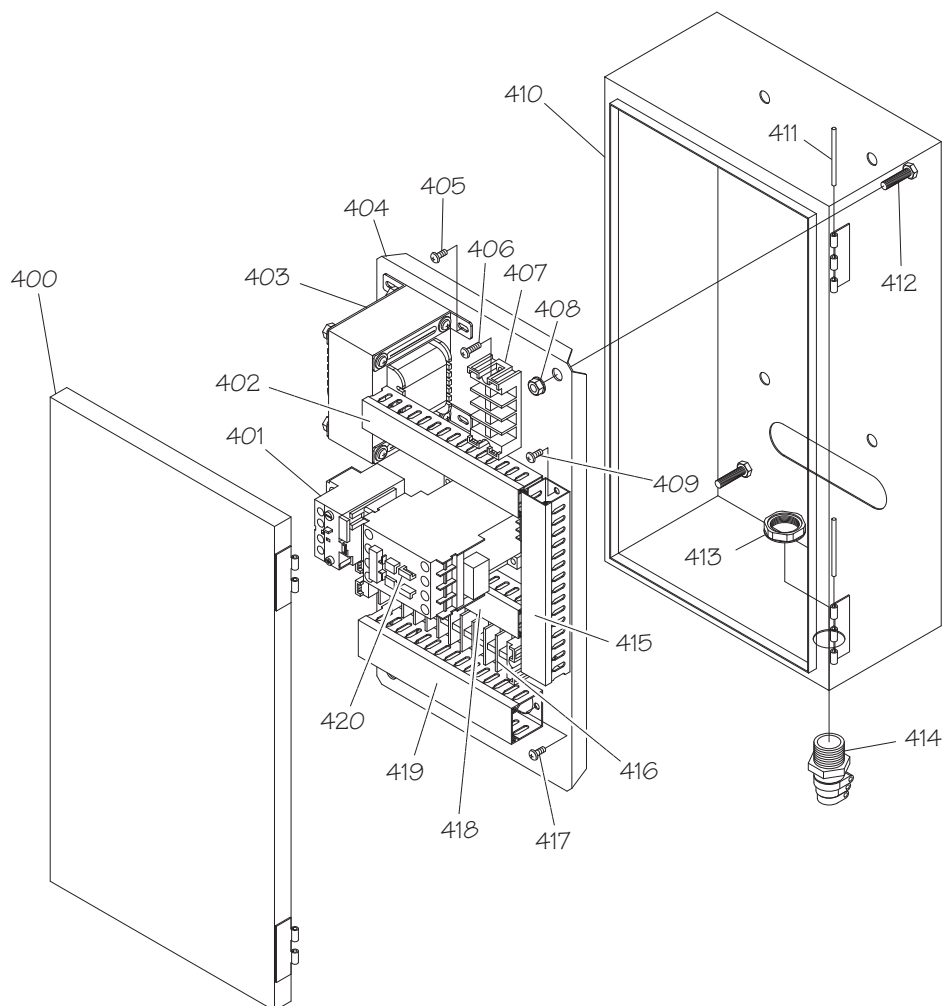


Table & Tensioning System Parts List

REF	PART #	DESCRIPTION	REF	PART #	DESCRIPTION
300	PSB1021300	TABLE	325	PR26M	INT RETAINING RING 52MM
301	PCAP05M	CAP SCREW M8-1.25 X 50	326	PSB1021326	LOCK KNOB
302	PLW04M	LOCK WASHER 8MM	327	PCAP13M	CAP SCREW M8-1.25 X 30
303	PW01M	FLAT WASHER 8MM	328	PSB1021328	IDLER WHEEL
304	PSB1021304	LEFT TRUNNION BRACKET	329	PCAP14M	CAP SCREW M8-1.25 X 20
305	PCAP40M	CAP SCREW M8-1.25 X 35	330	PSB1021330	RETAINING PLATE
306	PSB1021306	TABLE SUPPORT	331	PB03M	HEX BOLT M8-1.25 X 16
307	PSB1021307	BLADE GUIDE SUPPORT	332	PSB1021332	RETAINING PLATE
308	PW03M	FLAT WASHER 6MM	333	PSB1021333	TRACKING BRACKET
309	PLW03M	LOCK WASHER 6MM	334	P6205Z-N	BALL BEARING 6205 Z NSK
310	PCAP07M	CAP SCREW M6-1 X 30	335	PSB1021335	SPACER
311	PSB1021311	THREADED PIN	336	PR26M	INT RETAINING RING 52MM
312	PSB1021312	SPECIAL DOWEL PIN	337	PSB1021337	IDLER SHAFT
313	PSB1021313	BLADE GUIDE BRACKET	338	PSB1021338	LOCK COLLAR
314	PSB1021314	BLADE GUIDE	339	PS520M	SET SCREW M8-1.25 X 8
315	PW03M	FLAT WASHER 6MM	341	PSB1021341	TENSION LEADSCREW
316	PCAP06M	CAP SCREW M6-1 X 25	342	PSB1021342	HANDWHEEL
317	PCAP04M	CAP SCREW M6-1 X 10	343	PS520M	SET SCREW M8-1.25 X 8
318	PSB1021318	LOWER BLADE GUARD	344	PSB1021344	RIGHT TRUNNION BRACKET
319	PW02M	FLAT WASHER 5MM	345	PS08M	PHLP HD SCR M5-.8 X 12
320	PS40M	PHLP HD SCR M5-.8 X 16	346	PSB1021346	POINTER
321	PW04M	FLAT WASHER 10MM	347	PSB1021347	POINTER
322	PLW06M	LOCK WASHER 10MM	348	PSB1021348	TABLE TRUNNION
323	PCAP72M	CAP SCREW M10-1.5 X 30	349	PW04M	FLAT WASHER 10MM
324	PSB1021324	RUBBER TIRE	350	PCAP90M	CAP SCREW M10-1.5 X 55

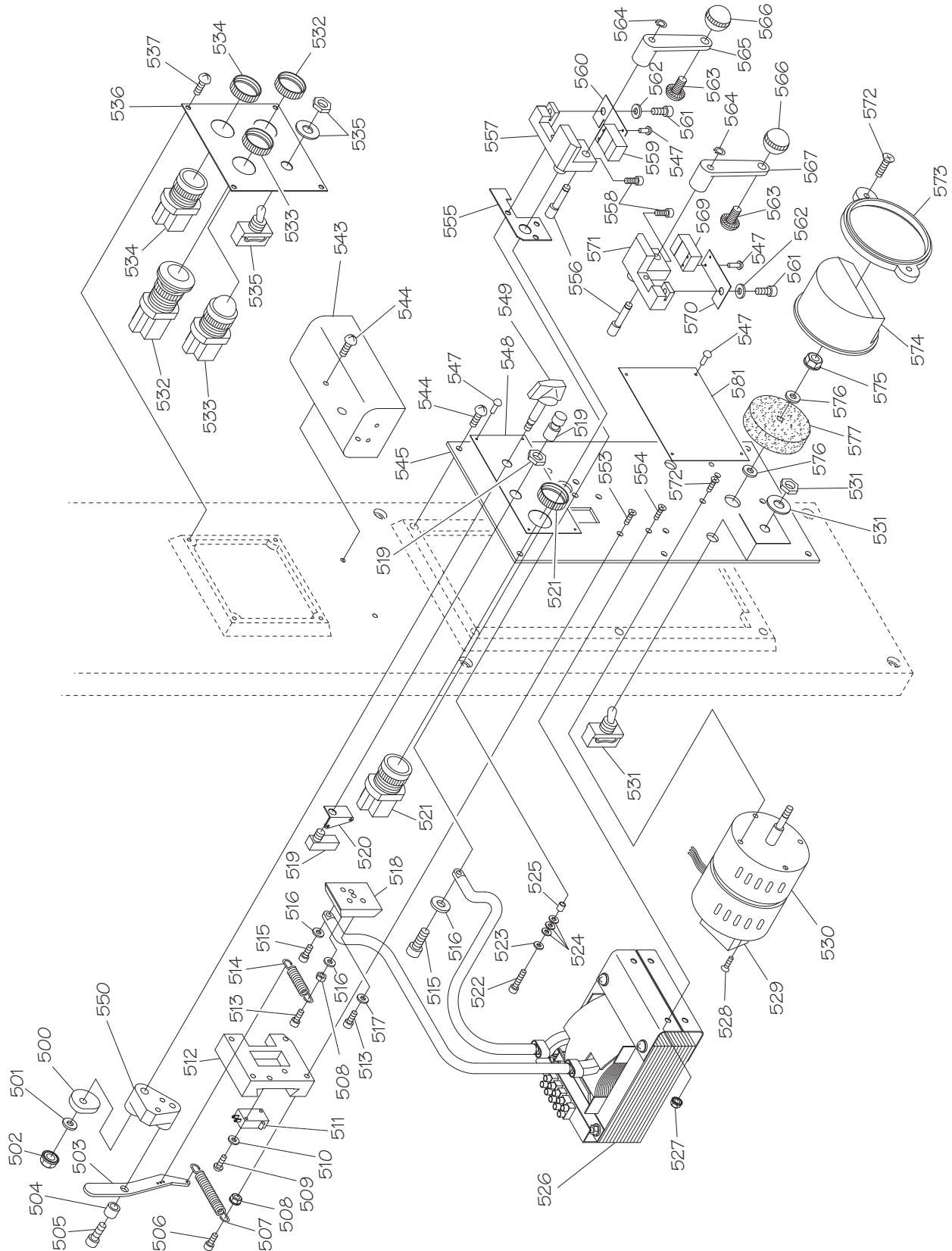
Electrical Cabinet



REF	PART #	DESCRIPTION
400	PSB1021400	CABINET DOOR
401	PSB1021401	OL RELAY AB 193-EEEB 5.4-27A (SB1021)
401	PSB1022401	OL RELAY AB 193-EEDB 3.2-16A (SB1022)
402	PSB1021402	WIRE LOOM
403	PSB1021403	TRANSFORMER YA CHANG 220V 1A
404	PSB1021404	ELECTRICAL PANEL
405	PS07M	PHLP HD SCR M4-.7 X 8
406	PS02M	PHLP HD SCR M4-.7 X 12
407	PSB1021407	TERMINAL BLOCK 8P
408	PNO1M	HEX NUT M6-1
409	PS07M	PHLP HD SCR M4-.7 X 8
410	PSB1021410	ELECTRICAL CABINET

REF	PART #	DESCRIPTION
411	PSB1021411	HINGE PIN
412	PB47M	HEX BOLT M6-1 X 40
413	PSB1021413	STRAIN RELIEF NUT
414	PSB1021414	STRAIN RELIEF
415	PSB1021415	WIRE LOOM
416	PSB1021416	TERMINAL BLOCK 24P
417	PS07M	PHLP HD SCR M4-.7 X 8
418	PSB1021418	WIRE LOOM
419	PSB1021419	WIRE LOOM
420	PSB1021420	CONT. AB 100-C16-400 110V (SB1021)
420	PSB1022420	CONT. AB 100-C09-400 110V (SB1022)

Welder & Control Panel

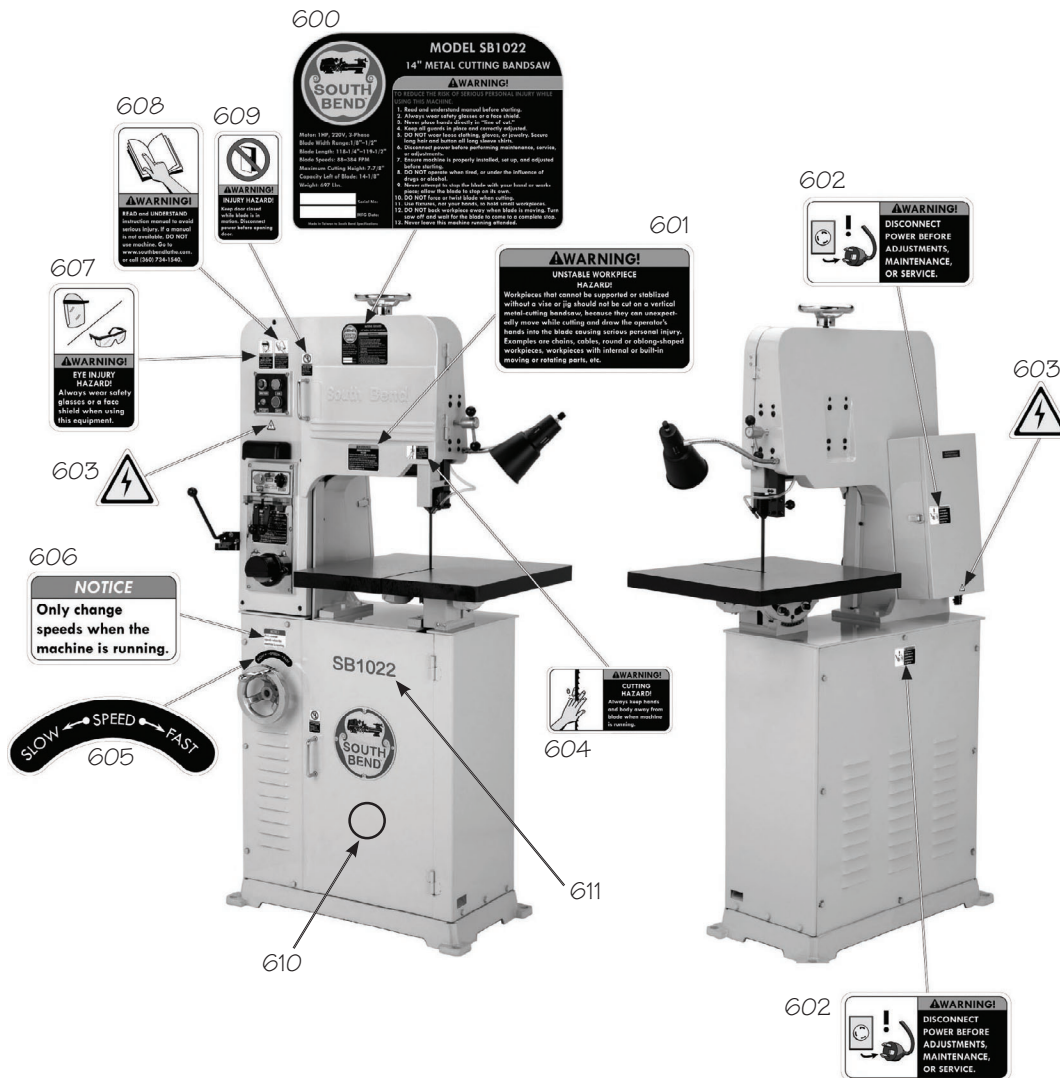


Welder & Control Panel Breakdown

REF	PART #	DESCRIPTION
500	PSB1021500	CAM
501	PW03M	FLAT WASHER 6MM
502	PNO1M	HEX NUT M6-1
503	PSB1021503	SPRING ARM
504	PSB1021504	SPACER
505	PCAP01M	CAP SCREW M6-1 X 16
506	PCAP38M	CAP SCREW M5-.8 X 25
507	PSB1021507	LOWER EXTENSION SPRING
508	PNO6M	HEX NUT M5-.8
509	PS48	PHLP HD SCR 5-40 x 3/4
510	PLW11	LOCK WASHER #5
511	PSB1021511	SWITCH
512	PSB1021512	SLIDE SEAT
513	PCAP38M	CAP SCREW M5-.8 X 25
514	PSB1021514	UPPER EXTENSION SPRING
515	PCAP03M	CAP SCREW M5-.8 X 8
516	PW02M	FLAT WASHER 5MM
517	PLW01M	LOCK WASHER 5MM
518	PSB1021518	SLIDE BLOCK
519	PSB1021519	ANNEAL SWITCH
520	PSB1021520	ANNEAL SWITCH BRACKET
521	PSB1021521	WELD SWITCH
522	PCAP24M	CAP SCREW M5-.8 X 16
523	PW02M	FLAT WASHER 5MM
524	PSB1021524	INSULATING WASHER 5MM
525	PSB1021525	INSULATING SPACER 5MM
526	PSB1021526	WELDING TRANSFORMER
527	PNO6M	HEX NUT M5-.8
528	PFH30M	FLAT HD SCR M5-.8 X 8
529	PSB1021529	GRINDER CAPACITOR
530	PSB1021530	GRINDER MOTOR
531	PSB1021531	TOGGLE SWITCH
532	PSB1021532	OFF SWITCH
533	PSB1021533	POWER LAMP
534	PSB1021534	ON SWITCH

REF	PART #	DESCRIPTION
535	PSB1021535	TOGGLE SWITCH
536	PSB1021536	CONTROL PANEL
537	PSO9M	PHLP HD SCR M5-.8 X 10
543	PSB1021543	LAMP COVER
544	PSO9M	PHLP HD SCR M5-.8 X 10
545	PSB1021545	WELDING PANEL
547	PSB1021547	RIVET M2 X 6
548	PSB1021548	WELDING CONTROL PANEL
549	PSB1021549	PRESSURE KNOB
550	PSB1021550	SPRING ARM BRACKET
553	PFH01M	FLAT HD SCR M5-.8 X 15
554	PFH05M	FLAT HD SCR M5-.8 X 12
555	PSB1021555	JAW INSULATOR
556	PSB1021556	CAM PIVOT SHAFT
557	PSB1021557	RIGHT ELECTRODE
558	PCAP33M	CAP SCREW M5-.8 X 12
559	PSB1021559	RIGHT LOWER JAW
560	PSB1021560	RIGHT CONNECTING PLATE
561	PCAP97M	CAP SCREW M5-.8 X 6
562	PLW01M	LOCK WASHER 5MM
563	PSB1021563	SPECIAL SCREW M8-1.25 X 16
564	PR73M	EXT RETAINING RING 5MM
565	PSB1021565	RIGHT CLAMP LEVER
566	PSB1021566	KNOB
567	PSB1021567	LEFT CLAMP LEVER
569	PSB1021569	LEFT LOWER JAW
570	PSB1021570	LEFT CONNECTING PLATE
571	PSB1021571	LEFT ELECTRODE
572	PFH07M	FLAT HD SCR M5-.8 X 10
573	PSB1021573	GUARD RETAINING RING
574	PSB1021574	GRINDING WHEEL GUARD
575	PNO5	HEX NUT 1/4-20
576	PW06	FLAT WASHER 1/4
577	PSB1021577	GRINDING WHEEL 1/4 X 5/8 X 2-1/2
581	PSB1021581	WELDING INSTRUCTION PLATE

Machine Labels



REF	PART #	DESCRIPTION
600	P5B1021600	MACHINE ID LABEL (SB1021)
600	P5B1022600	MACHINE ID LABEL (SB1022)
601	P5B1021601	UNSTABLE W/P HAZARD LABEL
602	P5BLABEL02VS	DISCONNECT WARNING LABEL
603	P5BLABEL15M	ELECTRICITY LABEL
604	P5B1021604	CUTTING HAZARD LABEL
605	P5B1021605	SPEED LABEL

REF	PART #	DESCRIPTION
606	P5B1021606	SPEED CHANGE NOTICE LABEL
607	P5BLABEL03VL	EYE INJURY HAZARD LABEL
608	P5BLABEL01VL	READ MANUAL LABEL
609	P5BLABEL13VS	DOOR INJURY HAZARD LABEL
610	P5B1021610	SOUTH BEND GRAY TOUCH-UP PAINT
611	P5B1021611	MODEL NUMBER LABEL (SB1021)
611	P5B1022611	MODEL NUMBER LABEL (SB1022)

⚠️ WARNING

The safety labels provided with your machine are used to make the operator aware of the machine hazards and ways to prevent injury. The owner of this machine **MUST** maintain the original location and readability of these safety labels. If any label is removed or becomes unreadable, **REPLACE** that label before using the machine again. Contact South Bend Lathe Co. at (360) 734-1540 or www.southbendlathe.com to order new labels.