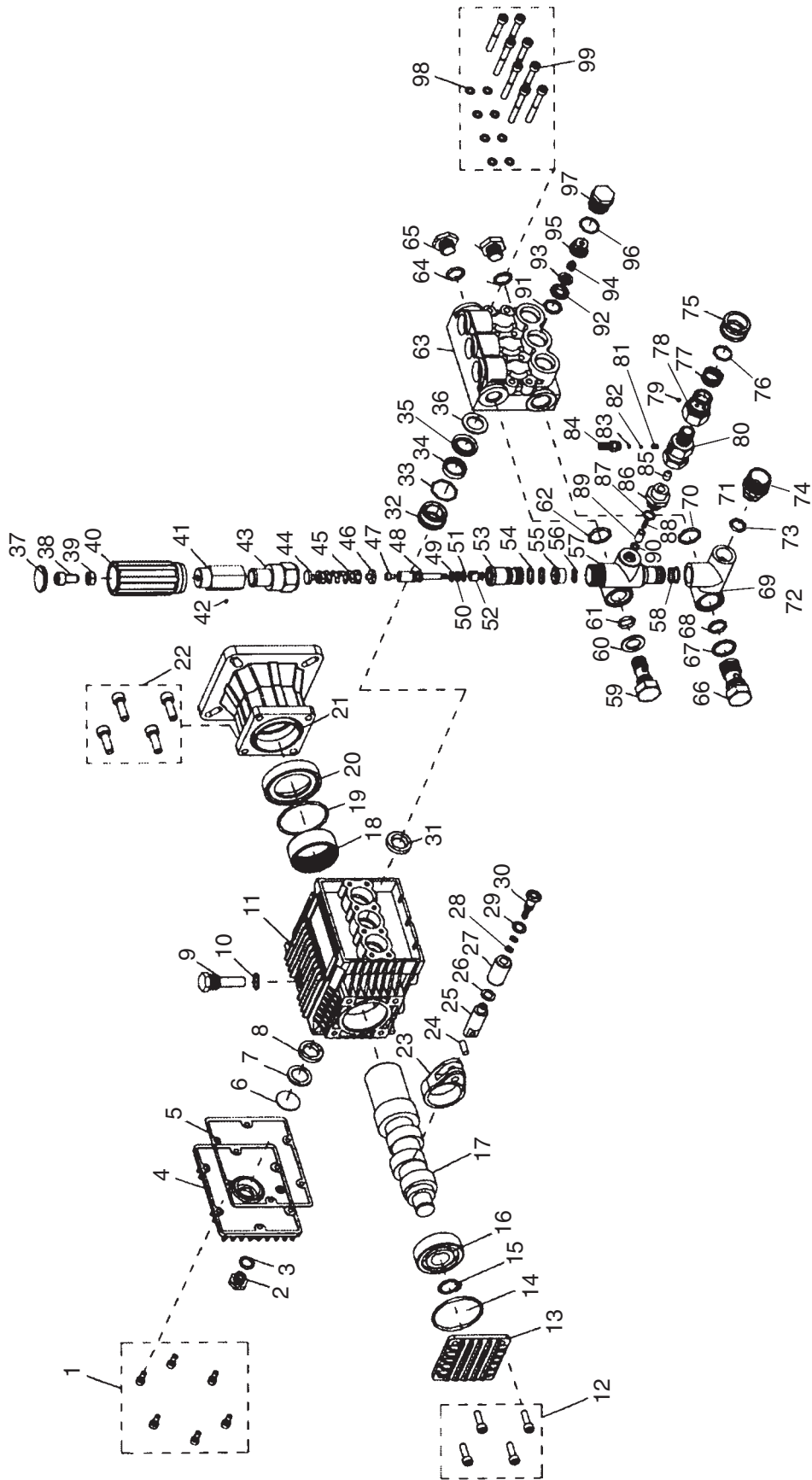


H8190 Pump Parts Breakdown



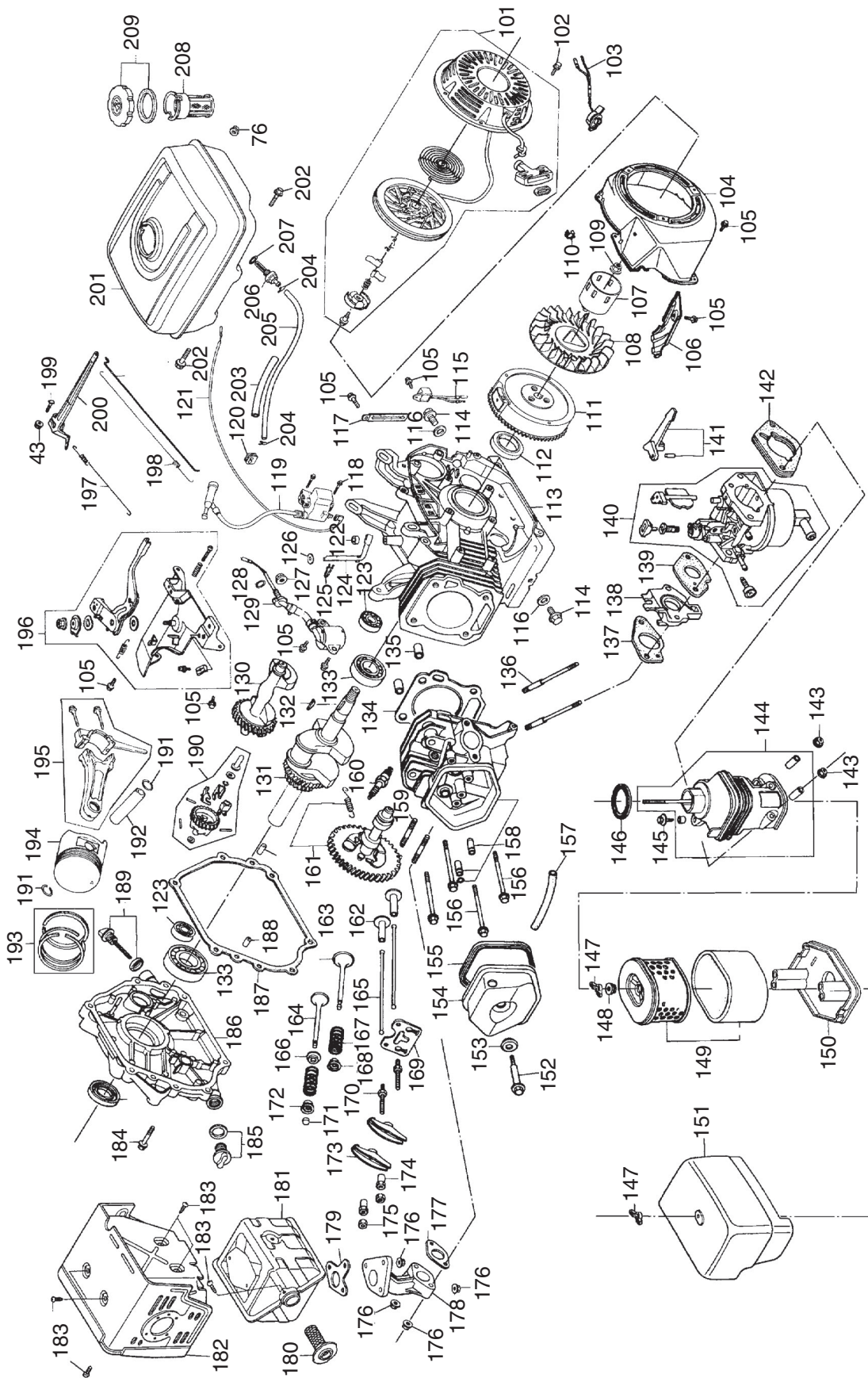
H8190 Pump Parts List

REF	PART #	DESCRIPTION
1	PH8189001	CRANK CASE COVER BOLT
2	PH8189002	OIL DRAIN PLUG
3	PH8189003	OIL DRAIN PLUG WASHER
4	PH8189004	CRANK CASE COVER
5	PH8189005	CRANK CASE COVER GASKET
6	PH8189006	SIGHT GLASS
7	PH8189007	SIGHT GLASS GASKET
8	PH8189008	SIGHT GLASS CAP
9	PH8189009	OIL INLET PLUG
10	PH8189010	OIL INLET PLUG GASKET
11	PH8189011	CRANK CASE
12	PH8189012	CRANK SHAFT COVER BOLT
13	PH8189013	CRANK SHAFT COVER
14	PH8189014	BEARING COVER GASKET
15	PH8189015	BEARING CLIP
16	PH8189016	BALL BEARING
17	PH8189017	CRANKSHAFT
18	PH8189018	NEEDLE ROLLER BEARING
19	PH8189019	FLANGE RING
20	PH8189020	CRANK SHAFT GASKET
21	PH8189021	FLANGE
22	PH8189022	FLANGE BOLT
23	PH8189023	CONNECTING ROD
24	PH8189024	CONNECTING ROD PIN
25	PH8189025	PLUNGER ROD
26	PH8189026	COPPER WASHER
27	PH8189027	CERAMIC PLUNGER
28	PH8189028	PLUNGER CAP SCREW RING
29	PH8189029	COPPER WASHER
30	PH8189030	PLUNGER CAP SCREW
31	PH8189031	LOCATING RING
32	PH8189032	LOCATING RING WATER SEAL
33	PH8189033	LOCATING RING GASKET
34	PH8189034	U-PACKING RING
35	PH8189035	U-PACKING
36	PH8189036	U-PACKING SEAT
37	PH8189037	HANDLE COVER
38	PH8189038	PRESSURE ADJUSTMENT SCREW
39	PH8189039	ADJUSTMENT SCREW FIXED NUT
40	PH8189040	PRESSURE ADJUSTMENT HANDLE
41	PH8189041	PRESSURE ADJUSTMENT SEAT
42	PH8189042	PRESSURE ADJUSTMENT FIXED SCREW
43	PH8189043	PRESSURE ADJUSTMENT VALVE
44	PH8189044	UPPER SPRING WASHER
45	PH8189045	PRESSURE ADJUSTMENT SPRING
46	PH8189046	LOWER SPRING WASHER
47	PH8189047	ADJUSTMENT VALVE SCREW
48	PH8189048	WATER RETURN VALVE ROD
49	PH8189049	VALVE JACKET INNER GASKET
50	PH8189050	ADJUSTMENT VALVE SEAT

REF	PART #	DESCRIPTION
51	PH8189051	VALVE JACKET INNER GASKET
52	PH8189052	WATER RETURN VALVE CORE
53	PH8189053	WATER RETURN VALVE JACKET
54	PH8189054	VALVE JACKET OUTER GASKET
55	PH8189055	WATER RETURN VALVE SEAT
56	PH8189056	VALVE SEAT GASKET
57	PH8189057	WATER OUTLET T-CONNECTOR
58	PH8189058	T-CONNECTOR GASKET
59	PH8189059	OUTLET T-CONNECTOR FIXED BOLT
60	PH8189060	FIXED BOLT WASHER
61	PH8189061	FIX BOLT GASKET
62	PH8189062	OUTLET T-CONNECTOR GASKET
63	PH8189063	CYLINDER
64	PH8189064	SCREW GASKET
65	PH8189065	SCREW CAP
66	PH8189066	INLET T-CONNECTOR GASKET
67	PH8189067	BOLT WASHER
68	PH8189068	INLET T-CONNECTOR GASKET
69	PH8189069	WATER INLET T-CONNECTOR
70	PH8189070	INLET T-CONNECTOR GASKET
71	PH8189071	INLET SCREW GASKET
72	PH8189072	INLET SCREW
73	PH8189073	WATER INLET CONNECTOR SEAL GASKET
74	PH8189074	WATER INLET CONNECTOR
75	PH8189075	QUICK CONNECTOR CAP
76	PH8189076	BEARING CLIP
77	PH8189077	QUICK CONNECTOR GASKET
78	PH8189078	QUICK CONNECTOR
79	PH8189079	STEEL BALL
80	PH8189080	DETERGENT INJECTOR
81	PH8189081	INJECTOR SPRING
82	PH8189082	DETERGENT INJECTOR GASKET
83	PH8189083	STEEL BALL
84	PH8189084	INJECTOR NOZZLE
85	PH8189085	WATER SHOOTING NOZZLE
86	PH8189086	WATER OUTLET JOINT
87	PH8189087	WATER OUTLET JOINT GASKET
88	PH8189088	WATER OUTLET CONE VALVE SPRING
89	PH8189089	WATER OUTLET CONE VALVE
90	PH8189090	WATER OUTLET CONE VALVE GASKET
91	PH8189091	CHECK VALVE GASKET
92	PH8189092	CHECK VALVE WASHER
93	PH8189093	CHECK VALVE FLAKE
94	PH8189094	CHECK VALVE SPRING
95	PH8189095	CHECK VALVE BOX
96	PH8189096	COMPACTION CAP SEAL GASKET
97	PH8189097	CHECK VALVE COMPACTION CAP
98	PH8189098	CYLINDER BOLT WASHER
99	PH8189099	CYLINDER BOLT



H8190 Engine Parts Breakdown



H8190 Engine Parts List

REF	PART #	DESCRIPTION
101	PH8190101	RECOIL STARTER ASSEMBLY
102	PH8190102	FLANGE BOLT M6-1 X 8
103	PH8190103	ENGINE SWITCH
104	PH8190104	FAN COVER
105	PFB01M	FLANGE BOLT M6-1 X 12
106	PH8190106	SHROUD
107	PH8190107	STARTER PULLY
108	PH8190108	COOLING FAN
109	PH8190109	FLANGE NUT M16-1.75
110	PH8190110	WIRING HARNESS CLIP
111	PH8190111	FLYWHEEL
112	PH8190112	OIL SEAL
113	PH8190113	CRANK CASE ASSEMBLY
114	PH8190114	DRAIN PLUG
115	PH8190115	AMPLIFIER
116	PH8190116	DRAIN PLUG WASHER
117	PH8190117	WIRE CLIP
118	PH8190118	FLANGE BOLT M6-1 X 25
119	PH8190119	IGNITION COIL ASSEMBLY
120	PH8190120	WIRE GROMMET
121	PH8190121	STOP SWITCH CORD
122	PH8190122	OIL SEAL
123	PH8190123	RADIAL BALL BEARING 6202
124	PH8190124	GOVERNOR ARM SHAFT
125	PH8190125	LOCK PIN 10MM
126	PH8190126	WASHER
127	PH8190127	FLANGE NUT M10-1.5
128	PH8190128	O-RING 14MM
129	PH8190129	OIL LEVEL SWITCH ASSEMBLY
130	PH8190130	BALANCER
131	PH8190131	CRANKSHAFT ASSEMBLY
132	PH8190132	KEY
133	PH8190133	RADIAL BALL BEARING 6207
134	PH8190134	CYLINDER HEAD GASKET
135	PH8190135	DOWEL PIN 12 X 20
136	PH8190136	CARBURETOR STUD
137	PH8190137	INSULATOR GASKET
138	PH8190138	INSULATOR
139	PH8190139	CARBURETOR BASE GASKET
140	PH8190140	CARBURETOR ASSEMBLY
141	PH8190141	CHOKE LEVER
142	PH8190142	AIR FILTER GASKET
143	PFN02M	FLANGE NUT M6-1
144	PH8190144	AIR FILTER CASE
145	PFB06M	FLANGE BOLT M6-1 X 20
146	PH8190146	AIR FILTER SEAL
147	PH8190147	WING NUT M6-1
148	PH8190148	WASHER
149	PH8190149	AIR FILTER ELEMENT ASSEMBLY

REF	PART #	DESCRIPTION
150	PH8190150	AIR FILTER SEPARATOR
151	PH8190151	AIR FILTER COVER
152	PH8190152	VALVE COVER BOLT
153	PH8190153	VALVE COVER BOLT WASHER
154	PH8190154	VALVE COVER
155	PH8190155	VALVE COVER SEAL
156	PH8190156	FLANGE BOLT M10-1.5 X 80
157	PH8190157	PCV TUBE
158	PH8190158	CYLINDER HEAD
159	PH8190159	EXHAUST MANIFOLD STUD
160	PH8190160	SPARK PLUG
161	PH8190161	CAMSHAFT ASSEMBLY
162	PH8190162	VALVE LIFTER
163	PH8190163	INTAKE VALVE
164	PH8190164	EXHAUST VALVE
165	PH8190165	PUSH ROD
166	PH8190166	VALVE SPRING SEAT
167	PH8190167	VALVE SPRING
168	PH8190168	INTAKE VALVE SPRING RETAINER
169	PH8190169	PUSH ROD GUIDE PLATE
170	PH8190170	ROKER ARM PIVOT STUD
171	PH8190171	VALVE ROTATOR
172	PH8190172	EXHAUST VAVLE SPRING RETAINER
173	PH8190173	ROCKER ARM
174	PH8190174	ROCKER ARM NUT
175	PH8190175	ROCKER ADJUSTING NUT
176	PFN01M	FLANGE NUT M8-1.25
177	PH8190177	EXHAUST PIPE GASKET
178	PH8190178	EXHAUST PIPE
179	PH8190179	MUFFLER GASKET
180	PH8190180	SPARK ARRESTOR
181	PH8190181	MUFFLER
182	PH8190182	MUFFLER GUARD
183	PS05M	PHLP HD SCR M5-.8 X 8
184	PH8190184	FLANGE BOLT M8-1.25 X 25
185	PH8190185	OIL CAP
186	PH8190186	CRANKCASE COVER
187	PH8190187	CRANKCASE COVER GASKET
188	PH8190188	DOWEL PIN 8 X 12
189	PH8190189	DIPSTICK ASSEMBLY
190	PH8190190	GOVERNOR KIT
191	PH8190191	WRIST PIT CLIP
192	PH8190192	WRIST PIN
193	PH8190193	PISTON RING SET
194	PH8190194	PISTON
195	PH8190195	CONNECTING ROD ASSEMBLY
196	PH8190196	CONTROL ASSEMBLY
197	PH8190197	GOVERNOR SPRING
198	PH8190198	THROTTLE RETURN SPRING



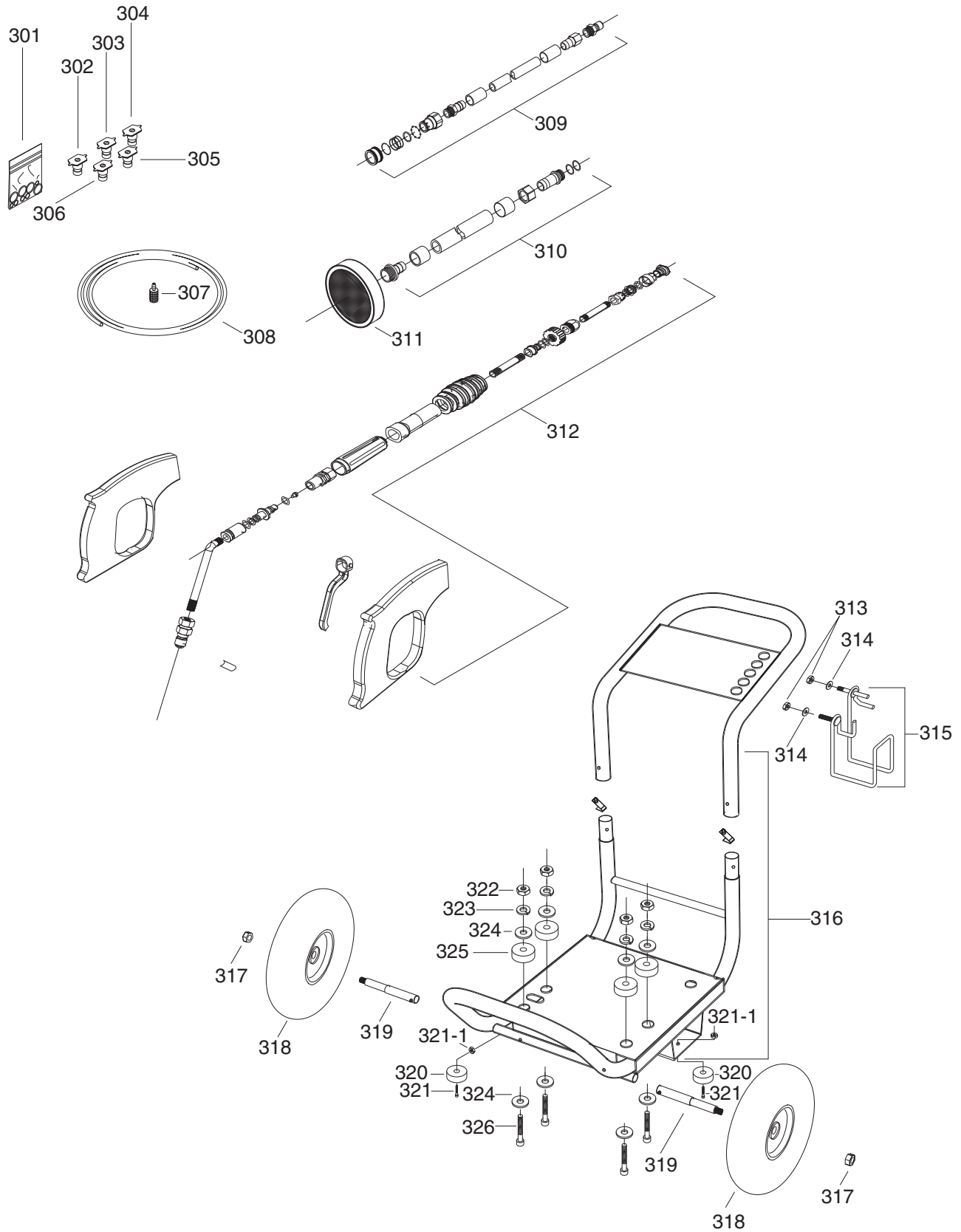
H8190 Engine Parts List

REF	PART #	DESCRIPTION
199	PH8190199	GOVERNOR ARM BOLT
200	PH8190200	GOVERNOR ARM
201	PH8190201	FUEL TANK
202	PH8190202	FLANGE BOLT M8-1.25 X 25
203	PH8190203	RUBBER SUPPORTER
204	PH8190204	FUEL VALVE

REF	PART #	DESCRIPTION
205	PH8190205	FUEL LINE
206	PH8190206	FUEL TANK JOINT
207	PH8190207	FUEL TANK JOINT SEAL
208	PH8190208	FUEL FILTER
209	PH8190209	FUEL FILTER CAP



H8190 Frame and Accessories Parts Breakdown



H8190 Frame and Accessories Parts List

REF	PART #	DESCRIPTION
301	PH8189201	O-RING KIT
302	PH8189202	0 DEGREE NOZZLE
303	PH8189203	15 DEGREE NOZZLE
304	PH8189204	25 DEGREE NOZZLE
305	PH8189205	40 DEGREE NOZZLE
306	PH8189206	CHEMICAL NOZZLE
307	PH8189207	CHEMICAL FILTER
308	PH8189208	CHEMICAL HOSE
309	PH8189209	HIGH PRESSURE HOSE
310	PH8189210	INPUT HOSE
311	PH8189211	INPUT HOSE FILTER
312	PH8189212	SPRAY GUN AND WAND ASSEMBLY
313	PN03M	HEX NUT M8-1.25
314	PW01M	FLAT WASHER 8MM

REF	PART #	DESCRIPTION
315	PH8190215	SPRAY GUN BRACKET
316	PH8190216	FRAME ASSEMBLY
317	PN09M	HEX NUT M12-1.75
318	PH8190218	WHEEL ASSEMBLY
319	PH8190219	AXLE
320	PH8190220	RUBBER PAD
321	PSB74M	CAP SCREW M6-1 X 18
321-1	PN01M	HEX NUT M6-1
322	PN02M	HEX NUT M10-1.5
333	PLW06M	LOCK WASHER 10MM
344	PW04M	FLAT WASHER 10MM
355	PH8190225	RUBBER PAD
366	PH8190226	HEX BOLT M10-1.5 60



H8189 Machine Labels Breakdown



REF PART #	DESCRIPTION
401	PH8189301 MACHINE ID LABEL
402	PH8189302 FLAMABLE WARNING LABEL
403	PH8189303 CARBON MONOXIDE WARNING LABEL

REF PART #	DESCRIPTION
404	PH8189304 SAFETY GLASSES LABEL
405	PH8189305 HOT SURFACES WARNING LABEL
406	PH8189306 READ MANUAL LABEL

!WARNING

Safety labels warn about machine hazards and ways to prevent injury. The owner of this machine **MUST** maintain the original location and readability of the labels on the machine. If any label is removed or becomes unreadable, **REPLACE** that label before using the machine again. Contact Grizzly at (800) 523-4777 or www.grizzly.com to order new labels.

