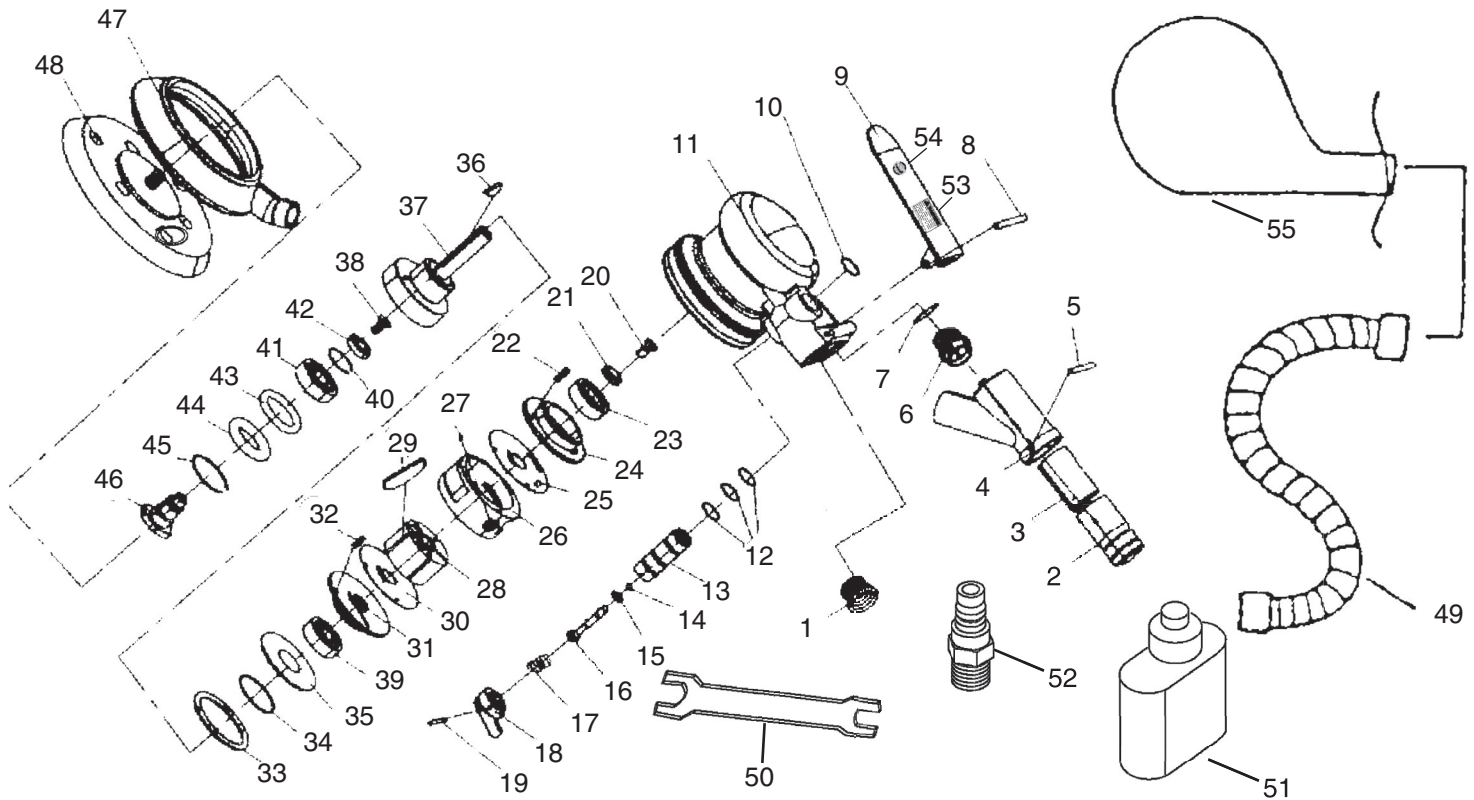


H8120 Parts Breakdown and List



REF PART # DESCRIPTION

1	PH8120001	AIR INLET
2	PH8120002	EXHAUST CAP
3	PH8120003	TWO WAY COUPLER
4	PH8120004	THREE WAY COUPLER
5	PH8120005	PIN 3 X 28
6	PH8120006	AIR OUT PLUG
7	PH8120007	O-RING
8	PRP53M	ROLL PIN 3 X 40
9	PH8120009	THROTTLE LEVER
10	PR48M	EXT RETAINING RING 11MM
11	PH8120011	HOUSING
12	PH8120012	O-RING
13	PH8120013	VALVE SET
14	PH8120014	O-RING
15	PH8120015	O-RING
16	PH8120016	VALVE STEM
17	PH8120017	COMPRESSION SPRING
18	PH8120018	REGULATOR
19	PRP13M	ROLL PIN 2.5 X 19
20	PH8120020	SPECIAL SCREW
21	PH8120021	SPECIAL WASHER
22	PH8120022	ROLL PIN
23	P6000	BALL BEARING 6000ZZ
24	PH8120024	FLANGE
25	PH8120025	END PLATE
26	PH8120026	CYLINDER
27	PH8120027	O-RING
28	PH8120028	ROTOR

REF PART # DESCRIPTION

29	PH8120029	ROTOR BLADE
30	PH8120030	FRONT PLATE
31	PH8120031	MOTOR SHAFT BALANCER
32	PH8120032	SPECIAL PIN
33	PH8120033	BEARING WASHER
34	PH8120034	O-RING
35	PH8120035	LOCK RING
36	PH8120036	WOODRUFF KEY
37	PH8120037	CRANK SHAFT
38	PS03M	PHLP HD SCR M6-1 X 8
39	PH8120039	SPECIAL BALL BEARING
40	PR48M	EXT RETAINING RING 11MM
41	P6001	BALL BEARING 6001ZZ
42	P588	BALL BEARING 588ZZ
43	PH8120043	BEARING WASHER
44	PH8120044	PRINCIPAL AXIS
45	PH8120045	INTERNAL RING
46	PH8120046	JACKET
47	PH8120047	SHROUD
48	PH8120048	SANDING PAD 6"
49	PH8120049	DUST COLLECTION HOSE
50	PH8120050	SPINDLE WRENCH
51	PH8120051	PNEUMATIC TOOL OIL
52	PH8120052	1/4" NPT MALE QUICK CONNECT FITTING
53	PH8120053	DUST WARNING LABEL
54	PH8120054	GRIZZLY AIR TOOLS LABEL
55	PH8120055	DUST COLLECTION BAG