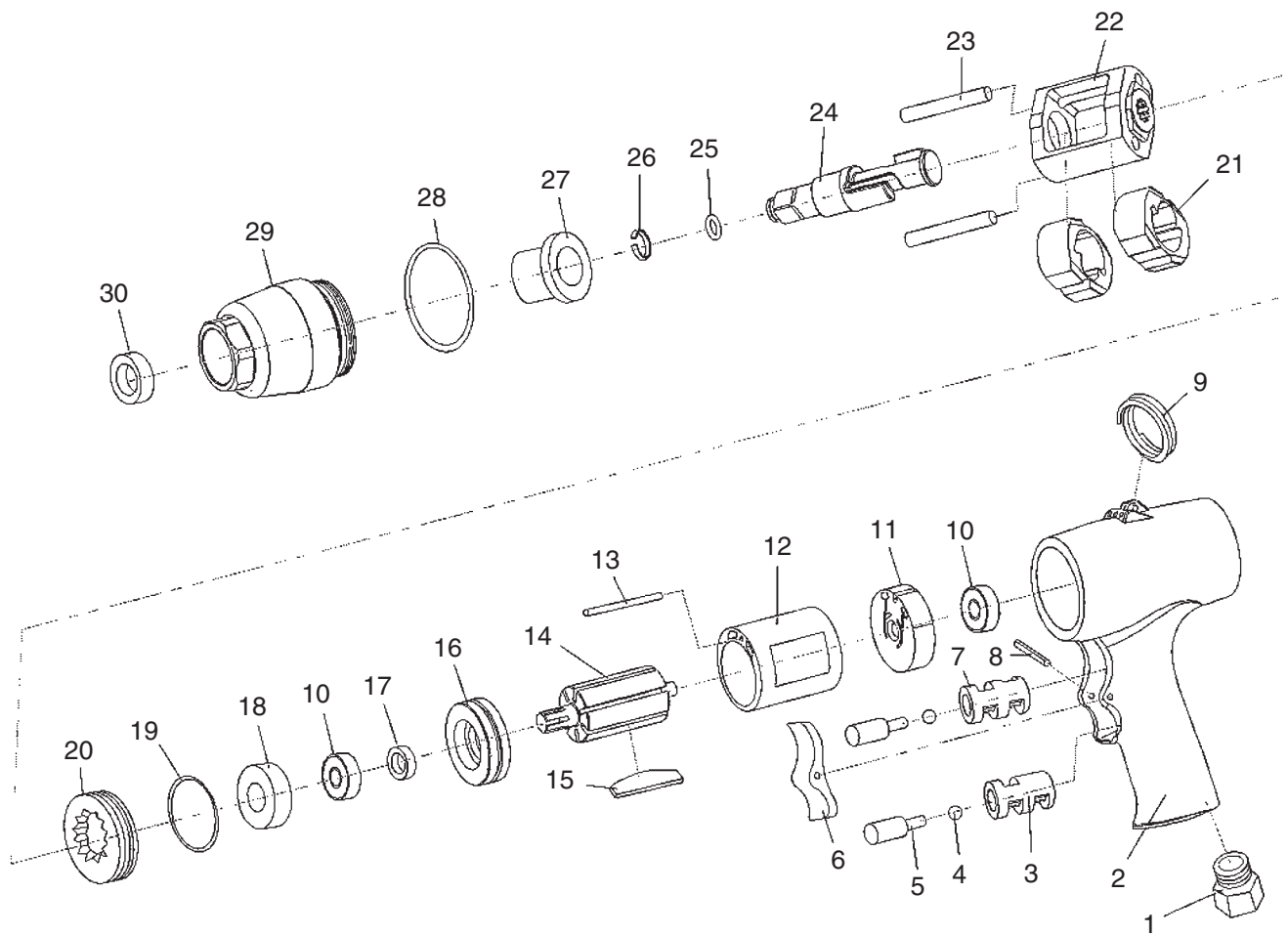


# H8119 Parts Breakdown and List



REF	PART #	DESCRIPTION
1	PH8119001	AIR INLET 1/4" NPT
2	PH8119002	HOUSING
3	PH8119003	END SLEEVE
4	PH8119004	VALVE STEM
5	PH8119005	TRIGGER PIN
6	PH8119006	TRIGGER
7	PH8119007	FRONT SLEEVE
8	PH8119008	GROOVE PIN
9	PH8119009	LANYARD RING
10	PH8119010	BEARING
11	PH8119011	REAR END PLATE
12	PH8119012	CYLINDER
13	PH8119013	CYLINDER DOWEL
14	PH8119014	VANE SET
15	PH8119015	ROTOR

REF	PART #	DESCRIPTION
16	PH8119016	FRONT END PLATE
17	PH8119017	ROTOR OIL SEAL
18	PH8119018	ROTOR SLEEVE
19	PH8119019	O-RING 37 X 2.65MM
20	PH8119020	LOCKING RING
21	PH8119021	HAMMER
22	PH8119022	HAMMER FRAME
23	PH8119023	HAMMER PIN
24	PH8119024	ANVIL
25	PH8119025	O-RING 4.5 X 1.3MM
26	PH8119026	SOCKET RETAINER
27	PH8119027	HAMMER CASE BUSHING
28	PH8119028	O-RING 41.2 X 2.65MM
29	PH8119029	HAMMER CASE BUSHING
30	PH8119030	OIL SEAL