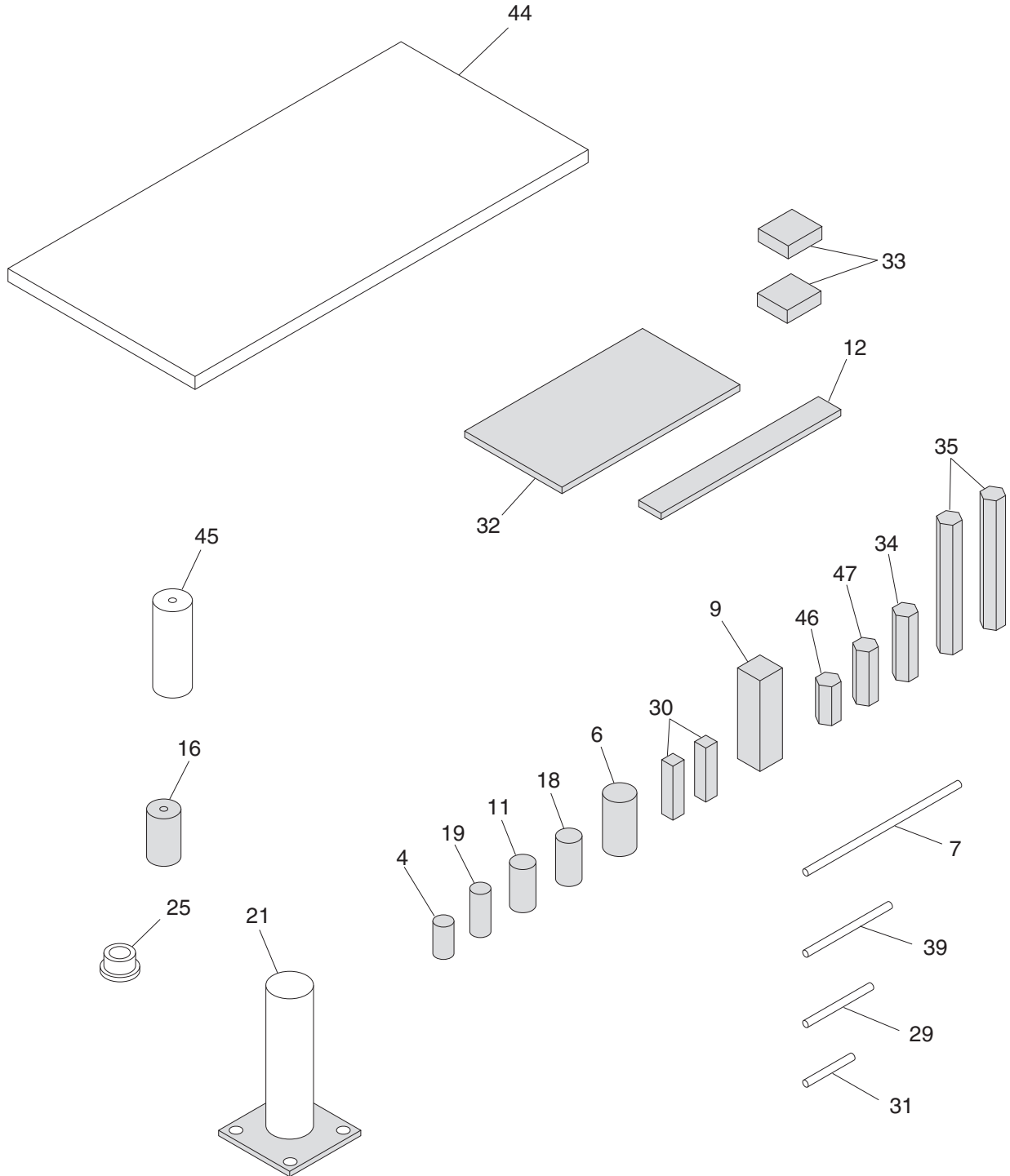
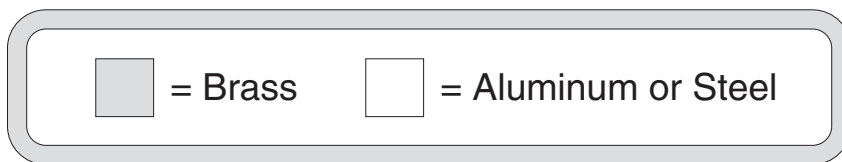
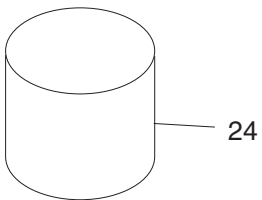
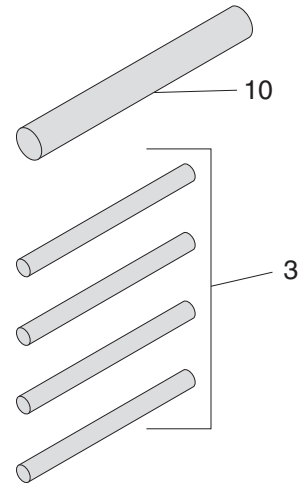
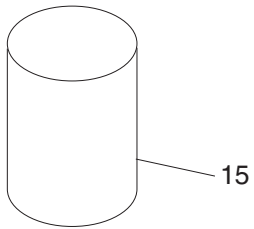
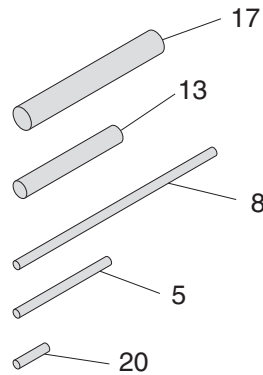
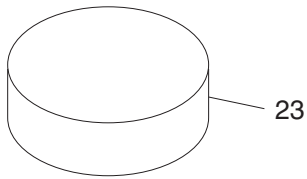
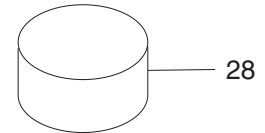
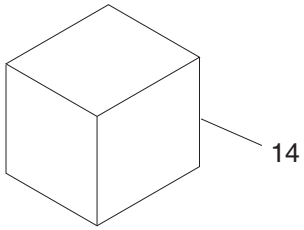
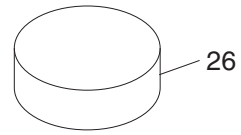
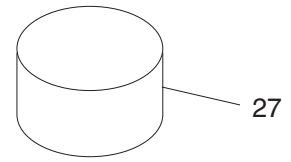
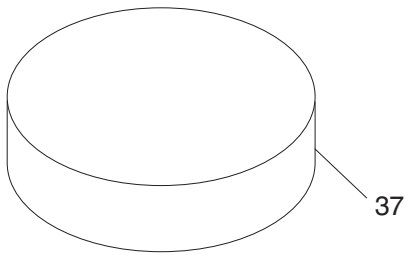


# Inventory



■ = Brass      □ = Aluminum or Steel





# Parts & Inventory List

Ref No.	Part ID	Part No.	Description	Quantity
3	HAE0108	PH8101003	BRASS ROD BLANK 6 X 72MM	4
4	HAE0123	PH8101004	BRASS CYLINDER BLANK 8 X 15MM	1
5	HAE0124	PH8101005	BRASS ROD BLANK 3 X 40MM	1
6	HAE0103	PH8101006	BRASS CYLINDER BLANK 13 X 25MM	1
7	HAE0122	PH8101007	STEEL ROD BLANK 3 X 82MM	1
8	HAE0119	PH8101008	BRASS ROD BLANK 3 X 86MM	1
9	HAE0109	PH8101009	BRASS SQUARE BLANK 12 X 12 X 42MM	1
10	HAE0115	PH8101010	BRASS ROD BLANK 11 X 92MM	1
11	HAE0118	PH8101011	BRASS CYLINDER BLANK 10 X 20MM	1
12	HAE0117	PH8101012	BRASS PLATE BLANK 96 X 12 X 3MM	1
13	HAE0111	PH8101013	BRASS ROD BLANK 6 X 42MM	1
14	HAE0110	PH8101014	ALUMINUM CUBE BLANK 65 X 45MM	1
15	HAE0112	PH8101015	ALUMINUM CYLINDER BLANK 40 X 55MM	1
16	RB1	PH8101016	BRASS COOLING PISTON 13 X 22MM	1
17	HAE0125	PH8101017	BRASS ROD BLANK 8 X 58MM	1
18	HAE0126	PH8101018	BRASS CYLINDER BLANK 10 X 20MM	1
19	HAE0130	PH8101019	BRASS CYLINDER BLANK 8 X 20MM	1
20	HAE0131	PH8101020	BRASS ROD BLANK 3 X 13MM	1
21	RQ1-00	PH8101021	HEATING CYLINDER	1
23	HAE0114	PH8101023	ALUMINUM CYLINDER BLANK 62 X 20MM	1
24	HAE0116	PH8101024	ALUMINUM CYLINDER BLANK 45 X 40MM	1
25	P01	PH8101025	WICK HOLDER	1
26	HAE0120	PH8101026	ALUMINUM CYLINDER BLANK 48 X 15MM	1
27	HAE0121	PH8101027	ALUMINUM CYLINDER BLANK 45 X 25MM	1
28	HAE0127	PH8101028	ALUMINUM CYLINDER BLANK 42 X 20MM	1
29	HAE0105	PH8101029	STEEL ROD BLANK 3 X 35MM	1
30	HAE0102	PH8101030	BRASS SQUARE BLANK 6 X 6 X 25MM	1
31	HAE0104	PH8101031	STEEL ROD BLANK 3 X 25MM	1
32	HAE0106	PH8101032	BRASS PLATE BLANK 95 X 52 X 3MM	1
33	HAE0107	PH8101033	BRASS SQUARE BLANK 18 X 16 X 6MM	2
34	HAE0129	PH8101034	BRASS HEXAGON BLANK 5.5 X 30MM	1
35	HAE0128	PH8101035	BRASS HEXAGON BLANK 5.5 X 60MM	2
37	HAE0113	PH8101037	ALUMINUM CYLINDER BLANK 95 X 25MM	1
39	HAE0101	PH8101039	STEEL ROD BLANK 3 X 45MM	1
44	HAE0132	PH8101044	ALUMINUM PLATE BLANK 210 X 100 X 6MM	1
45	RQ1.04-01	PH8101045	ALUMINUM HEATING PISTON 15 X 40MM	1
46	HAE0134	PH8101046	BRASS HEXAGON BLANK 5.5 X 18MM	1
47	HAE0133	PH8101047	BRASS HEXAGON BLANK 5.5 X 25MM	1



# Machining Parts

The finished parts for your Stirling engine require precise machining and the experience and equipment to do so.

Use the specifications and illustrations beginning on **Page 13** to produce the parts required to assemble your Stirling engine (all dimensions are in millimeters).

**Note:** Some parts have been pre-machined at the factory and are identified as such below. Also, there are some common fasteners and a wood base that are not required but are included with this kit.

After machining the parts, you should have the finished parts listed below. Reference this information, the **Assembly Diagram** on **Page 9**, and **Additional Assembly Instructions** on **Page 10** to complete the assembly of your Stirling engine.

## Finished Parts

Ref No.	Qty	Specs Page	Finished Part Description	Ref No.	Qty	Specs Page	Finished Part Description
3	4	13	Threaded Connection Rod	23	1	22	Radiator
4	1	14	Slotted Pivot Connector #2	24	1	22	Cooling Cylinder Base Support
5	1	14	Bent Connector Rod	26	1	23	Fuel Reservoir Lid
6	2	15	Round Eccentric Connector	27	1	23	Fuel Reservoir
7	1	15	Heating Piston Drive Rod	28	1	24	Pulley
8	1	16	Bent Drive Rod	29	1	24	Axle 34mm
9	1	16	Rocker Arm Shaft Support	30	2	25	Connecting Arm
10	1	17	Rocker Arm Shaft	31	1	25	Axle 20mm
11	1	17	Slotted Pivot Connector #1	32	1	26	Bracket
12	1	18	Rocker Arm	33	2	26	Axle Bushing
13	1	18	Drive Rod Sleeve	34	3	27	Brass Hex Nut M3-.5
14	1	19	Cooling Cylinder Base	35	3	27	Brass Hex Bolt M3-.5 x 11
15	1	19	Cooling Cylinder	37	1	28	Fly Wheel
17	1	20	Cooling Piston Drive Rod	39	1	28	Axle 40mm
18	1	20	Slotted Pivot Connector #4	44	1	29	Bottom Plate
19	1	21	Slotted Pivot Connector #3	46	1	29	Brass Hex Nut M2-.4
20	1	21	Pin	47	1	30	Brass Hex Bolt M2-.4 x 12

## Pre-Finished Parts

Ref No.	Qty	Finished Part Description	Ref No.	Qty	Finished Part Description
16	1	Cooling Piston	25	1	Wick Holder
21	1	Heating Cylinder	45	1	Heating Piston

## Common Fasteners & Wood Base (not provided)

Ref No.	Qty	Description	Ref No.	Qty	Description
1	1	Wood Base	40	4	Phillips Head Screw M3-.5 x 8
2	4	Hex Nut M4-.7	41	1	Cap Screw M5-.8 x 30
22	4	Cap Screw M4-.7 x 8	42	1	Cap Screw M5-.8 x 20
36	2	Flat Washer 3mm	43	1	Cap Screw M4-.7 x 25
38	1	Set Screw M3-.5 x 10	48	1	Set Screw M3-.5 x 8



# Assembly Diagram

