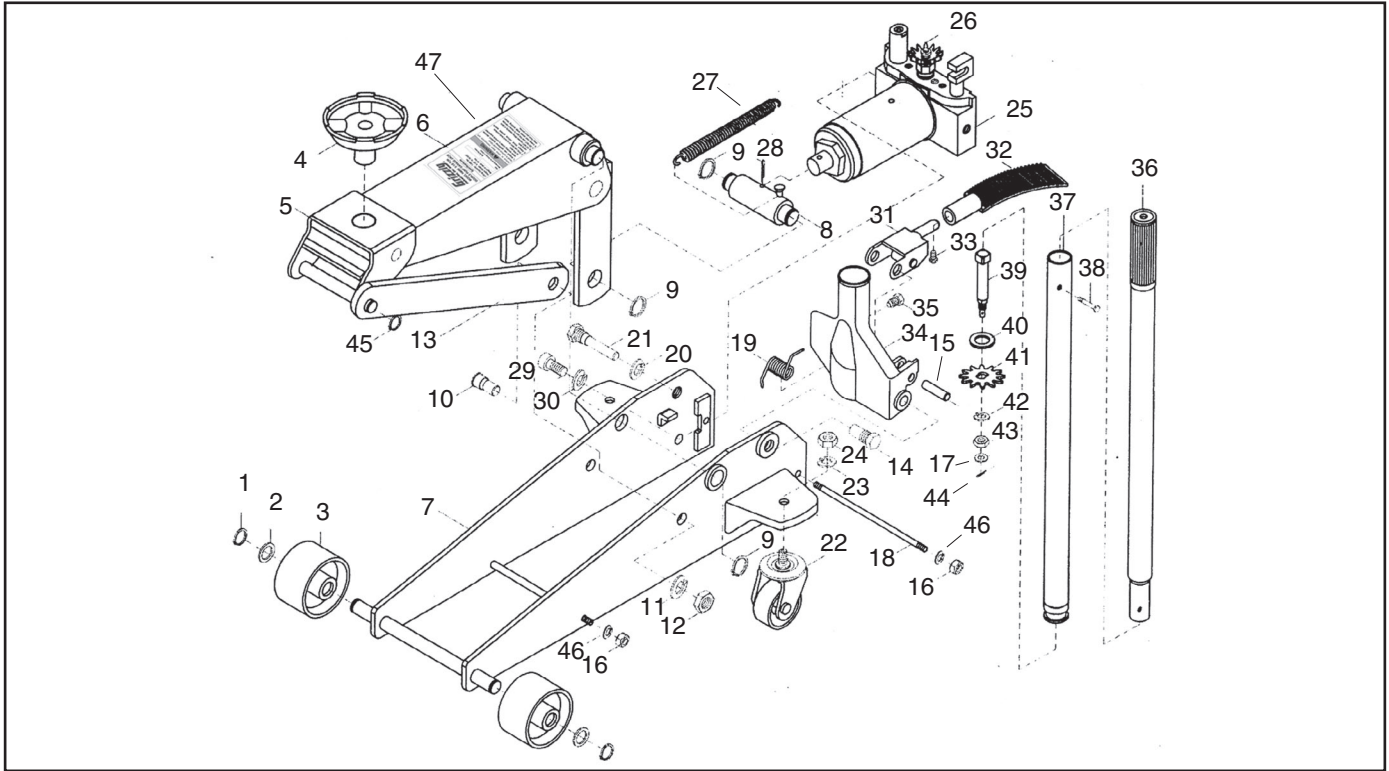


# H8092 Main Parts Breakdown



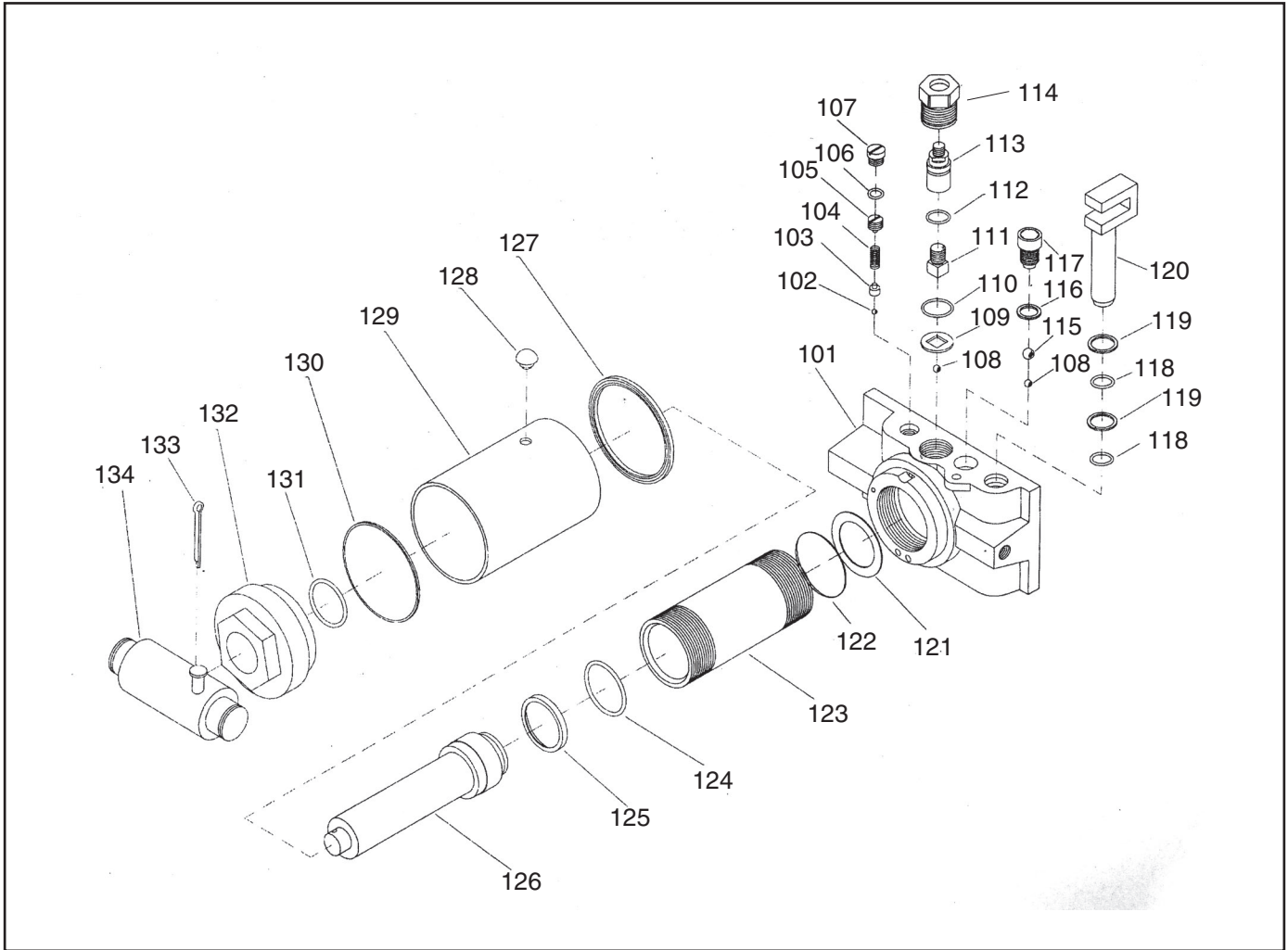
REF	PART #	DESCRIPTION
1	PR09M	EXT RETAINING RING 20MM
2	PW13M	FLAT WASHER 20MM
3	PH8092003	FRONT WHEEL
4	PH8092004	SADDLE
5	PH8092005	SADDLE BASE
6	PH8092006	LIFTING ARM
7	PH8092007	SIDE FRAME
8	PH8092008	LINKING BLOCK
9	PR11M	EXT RETAINING RING 25MM
10	PH8092010	LINKING BOLT
11	PLW10M	LOCK WASHER 16MM
12	PH8092012	HEX NUT M16-1.75
13	PH8092013	LIFTING ARM AXIS
14	PH8092014	HANDLE SOCKET BOLT
15	PH8092015	PUMP CORE PIN
16	PN03M	HEX NUT M8-1.25
17	PW01M	FLAT WASHER 8MM
18	PH8092018	LINKING SHAFT
19	PH8092019	TORSION SPRING
20	PLW12M	LOCK WASHER 18MM
21	PH8092021	HANDLE LINKING BOLT
22	PH8092022	REAR WHEEL ASSEMBLY
23	PLW05M	LOCK WASHER 12MM
24	PN09M	HEX NUT M12-1.75

REF	PART #	DESCRIPTION
25	PH8092025	CYLINDER ASSEMBLY
26	PH8092026	RELEASE VALVE GEAR
27	PH8092027	PULL SPRING
28	PH8092028	COTTER PIN 4 X 47MM
29	PB25M	HEX BOLT M12-1.75 X 25
30	PLW05M	LOCK WASHER 12MM
31	PH8092031	PEDAL BASE
32	PH8092032	FOOT PEDAL
33	PB04M	HEX BOLT M6-1 X 10
34	PH8092034	HANDLE SOCKET
35	PH8092035	HANDLE SOCKET SCREW
36	PH8092036	UPPER HANDLE
37	PH8092037	LOWER HANDLE
38	PB52M	HEX BOLT M6-1 X 35
39	PH8092039	RATCHET AXLE
40	PW08M	FLAT WASHER 16MM
41	PH8092041	GEAR
42	PH8092042	LOCK WASHER 10M
43	PH8092043	HEX NUT M10- 1.5
44	PH8092044	COTTER PIN 2MM X 12MM
45	PR06M	EXT RETAINING RING 16MM
46	PH8092046	LOCK WASHER 8MM
47	PH8092047	MACHINE LABEL

## **⚠️ WARNING**

The machine label warns about hazards and ways to prevent injury. The owner of the jack **MUST** maintain the original location and readability of the label. If the label is removed or becomes unreadable, contact Grizzly at (800) 523-4777 or [www.grizzly.com](http://www.grizzly.com) to order a new label.

# H8092 Hydraulic Pump Parts Breakdown



REF	PART #	DESCRIPTION
101	PH8092101	BASE
102	PH8092102	STEEL BALL
103	PH8092103	BALL HEAD
104	PH8092104	ADJUSTABLE SPRING
105	PH8092105	ADJUSTING SCREW
106	PH8092106	O-RING
107	PH8092107	SAFETY VALVE SCREW
108	PH8092108	STEEL BALL
109	PH8092109	LEAD WASHER
110	PH8092110	O-RING
111	PH8092111	PULL ROD
112	PH8092112	O-RING
113	PH8092113	RELEASE VALVE SHAFT
114	PH8092114	RELEASE VALVE BASE
115	PH8092115	STEEL BALL
116	PH8092116	SEAL WASHER
117	PH8092117	SPECIAL HEX SCREW

REF	PART #	DESCRIPTION
118	PH8092118	O-RING
119	PH8092119	SNAP RING
120	PH8092120	PUMP CORE
121	PH8092121	CYLINDER WASHER
122	PH8092122	RECTANGLE RING
123	PH8092123	CYLINDER
124	PH8092124	O-RING
125	PH8092125	RETAINING RING
126	PH8092126	PISTON ROD ASSEMBLY
127	PH8092127	O-RING
128	PH8092128	FILL PLUG
129	PH8092129	OIL TANK
130	PH8092130	RETAINING RING
131	PH8092131	O-RING
132	PH8092132	TOP CAP
133	PH8092133	COTTER PIN
134	PH8092134	BLOCK LINKAGE