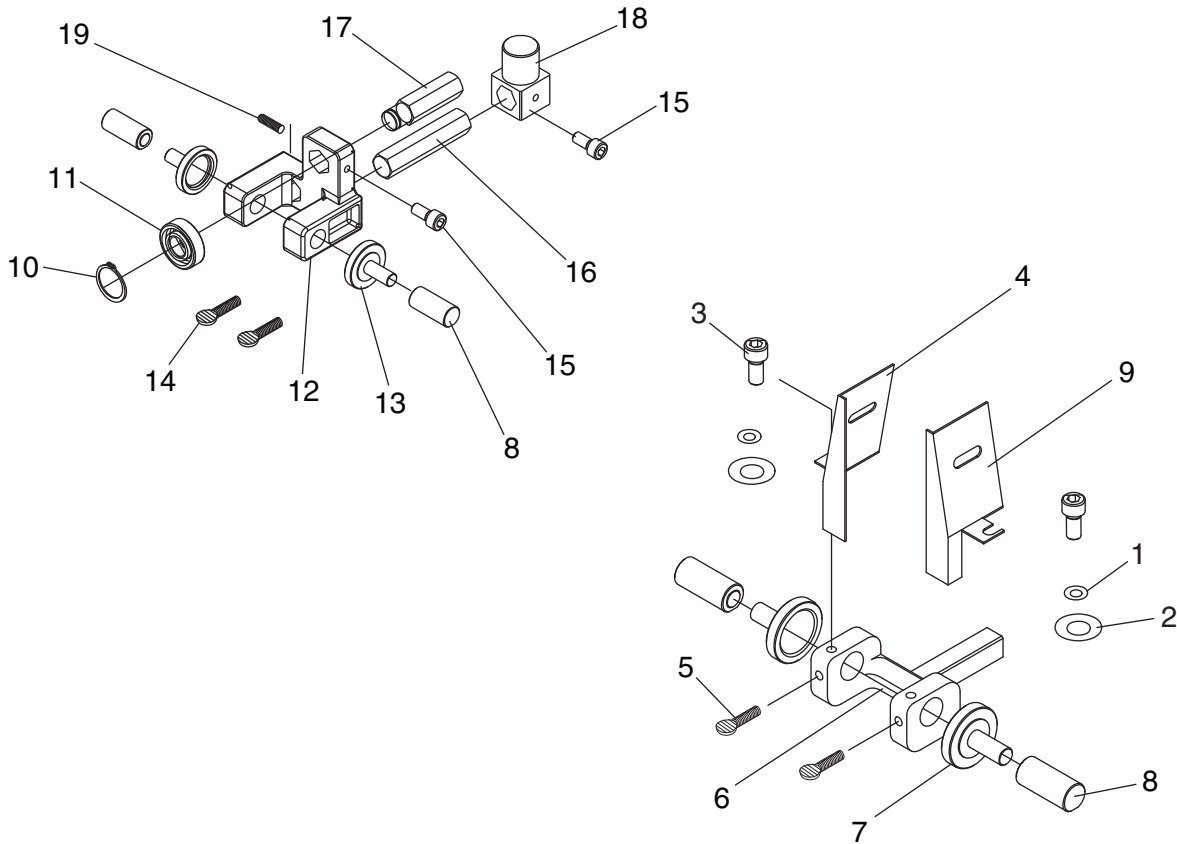




# MODEL H7873 CERAMIC BLADE GUIDES PARTS BREAKDOWN



REF	PART #	DESCRIPTION
1	PLW03M	LOCK WASHER 6MM
2	PW03M	FLAT WASHER 6MM
3	PB81M	HEX BOLT M8-1.25 X 20 (LH)
4	PH7873004	LEFT COVER
5	PTS001M	THUMB SCREW M6-1 X 16
6	PH7873006	LOWER BLADE GUIDE SUPPORT
7	PH7873007	LOWER CERAMIC GUIDE RING
8	PH7873008	LOWER ADJUST SHAFT
9	PH7873009	RIGHT COVER
10	PR05M	EXT RETAINING RING 15MM

REF	PART #	DESCRIPTION
11	P6202	BALL BEARING 6202ZZ
12	PH7873012	UPPER BLADE GUIDE SUPPORT
13	PH7873013	UPPER CERAMIC GUIDE RING
14	PTS001M	THUMB SCREW M6-1 X 16
15	PB18M	HEX BOLT M6-1 X 15
16	PH7873016	ADJUST BAR
17	PH7873017	UPPER SPACING SLEEVE
18	PH7873018	UPPER GUIDE SUPPORT BLOCK
19	PSS11M	SET SCREW M6-1 X 16

COPYRIGHT © AUGUST, 2008 BY GRIZZLY INDUSTRIAL, INC.

**WARNING: NO PORTION OF THIS MANUAL MAY BE REPRODUCED IN ANY SHAPE OR FORM WITHOUT THE WRITTEN APPROVAL OF GRIZZLY INDUSTRIAL, INC.**

#TR11067 PRINTED IN TAIWAN