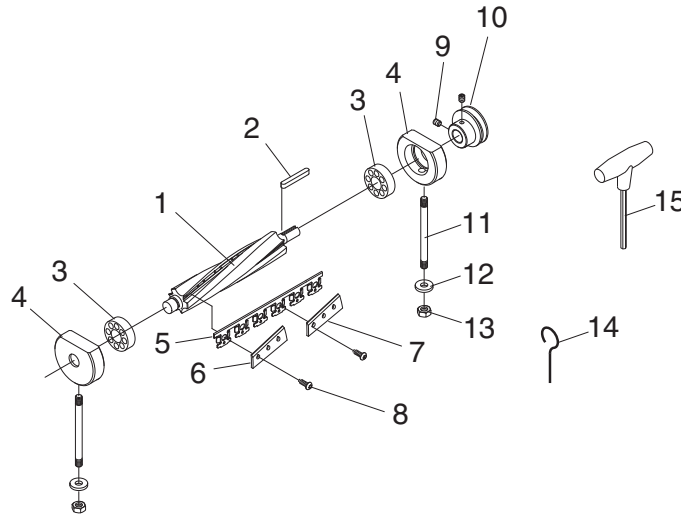


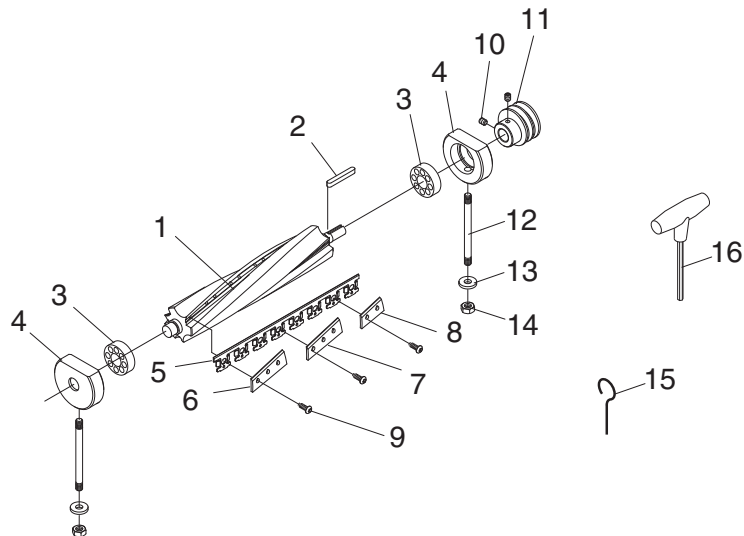
H7590 Parts Breakdown and List



REF	PART #	DESCRIPTION
1	PH7590001	6" SPIRAL CUTTERHEAD
2	PK19M	KEY 5 X 5 X 14
3	P6202	BALL BEARING 6202
4	PH7590004	BEARING BLOCK
5	PH7590005	FLEXIBLE KNIFE INSERT 6"
6	PH7590006	FRONT KNIFE GIB
7	PH7590007	REAR KNIFE GIB
8	PSBS12M	BUTTON HD CAP SCR M6-1 X 14

REF	PART #	DESCRIPTION
9	PSS11	SET SCREW 1/4"-20 X 1/4"
10	PH7590010	SINGLE SHEAVE PULLEY
11	PH7590011	STUD 3/8-24 X 4-3/4
12	PW02	FLAT WASHER 3/8
13	PN11	HEX NUT 3/8-24
14	PH7590014	ALIGNMENT TOOL
15	PH7590015	T-HANDLE HEX WRENCH 4MM

H7591 Parts Breakdown and List



REF	PART #	DESCRIPTION
1	PH7591001	8" SPIRAL CUTTERHEAD
2	PK23M	KEY 5 X 5 X 25
3	P6204	BALL BEARING 6204
4	PH7591004	BEARING BLOCK
5	PH7591005	FLEXIBLE KNIFE INSERT 8"
6	PH7591006	FRONT KNIFE GIB
7	PH7591007	CENTER KNIFE GIB
8	PH7591008	REAR KNIFE GIB

REF	PART #	DESCRIPTION
9	PSBS13M	BUTTON HD CAP SCR M6-1 X 12
10	PSS02	SET SCREW 5/16-18 X 3/8
11	PH7591011	TWO SHEAVE PULLEY
12	PH7590011	STUD 3/8-24 X 4-3/4
13	PW02	FLAT WASHER 3/8
14	PN11	HEX NUT 3/8-24
15	PH7590014	ALIGNMENT TOOL
16	PH7590015	T-HANDLE HEX WRENCH 4MM