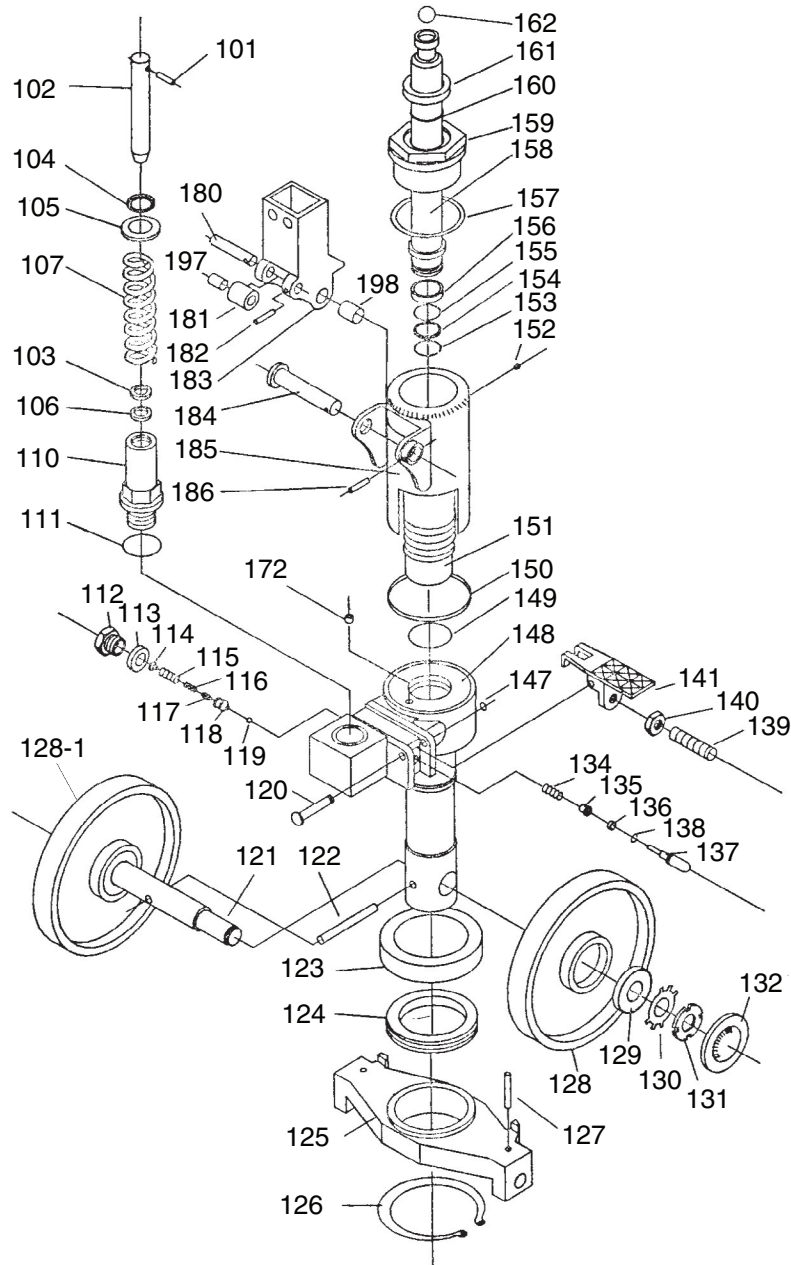


H6289 Wheel Assembly Breakdown



REF	PART #	DESCRIPTION
101	PRP56M	ROLL PIN 4 X 25
102	PH6289102	PUMP PLUNGER
103	PH6289103	DUST RING
104	PH6289104	PROTECTING RING
105	PH6289105	SPECIAL WASHER 4.5MM
106	PH6289106	Y-RING
107	PH6289107	COMPRESSION SPRING 44 X 5.5 X 120
110	PH6289110	PUMP CYLINDER
111	PORP041	O-RING 40.7 X 3.5 P41
112	PH6289112	DRAIN PLUG M16-1.75 X 1.5
113	PH6289113	COPPER WASHER 16MM
114	PH6289114	SPRING SEAT
115	PH6289115	COMPRESSION SPRING
116	PH6289116	COMPRESSION SPRING

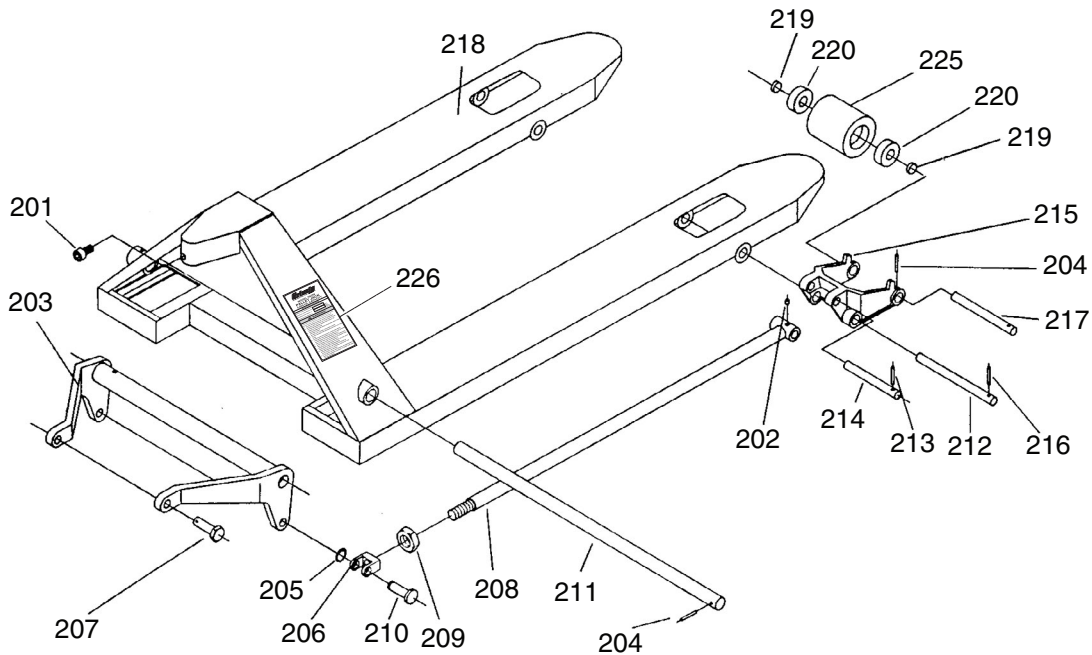
REF	PART #	DESCRIPTION
117	PH6289117	DAMPENING VALVE SPINDLE
118	PH6289118	DAMPENING VALVE SEAT
119	PH6289119	STEEL BALL 1/4
120	PSS101M	SET SCREW M8-1.25 X 45
121	PH6289121	BIG WHEEL SHAFT
122	PRP79M	ROLL PIN 8 X 50
123	PH6289123	BEARING COVER
124	P8110	THRUST BEARING 8110
125	PH6289125	SUPPORTING BASE
126	PR56M	EXT RETAINING RING 45MM
127	PH6289127	ROLL PIN 5 X 55
128	PH6289128	BIG WHEEL (PU)
128-1	PH6289128-1	BIG WHEEL (NYLON)



REF	PART #	DESCRIPTION
129	P6204ZZ	BALL BEARING 6204ZZ
130	PH6289130	EXT TOOTH WASHER 18MM
131	PH6289131	ROUND NUT M18-1.5
132	PH6289132	DUST COVER
134	PH6289134	COMPRESSION SPRING
135	PH6289135	SPRING BASE
136	PH6289136	Y-TYPE SEALING RING 11 X 4
137	PH6289137	STRIKE PIN
138	PORP007	O-RING 6.8 X 1.9 P7
139	PH6289139	SPECIAL SCREW M10-1.5 X 30
140	PN02M	HEX NUT M10-1.5
141	PH6289141	LEVER PLATE W/FOOT PEDAL
147	PR39M	EXT RETAINING RING 8MM
148	PH6289148	BASE
149	PORP040	O-RING 39.7 X 3.5 P40
150	PH6289150	T-SECTION SEALING RING
151	PH6289151	PISTON & CYLINDER
152	PH6289152	OIL PLUG
153	PH6289153	RETAINING RING C-SHAPED 35MM

REF	PART #	DESCRIPTION
154	PW20M	FLAT WASHER 35MM
155	PH6289155	O-RING 4 X 35
156	PH6289156	CUP PACKING
157	PH6289157	GASKET 35 X 48 X 2
158	PH6289158	PISTON ROD
159	PH6289159	CYLINDER CAP
160	PORS032	O-RING 31.5 X 2.0 S32
161	PH6289161	J-SHAPED STEEL-RUBBER SEAL
162	PH6289162	STEEL BALL
172	PH6289172	TUBE DUST FILTER
180	PH6289180	PRESSURE ROLLER SHAFT
181	PH6289181	PRESSURE ROLLER
182	PRP16M	ROLL PIN 3 X 25
183	PH6289183	BASE
184	PH6289184	ALIGNMENT PIN 20 X 103
185	PH6289185	HOUSING
186	PRP27M	ROLL PIN 5 X 28
197	PH6289197	BUSHING
198	PH6289198	BUSHING

H6289 Frame Assembly Breakdown

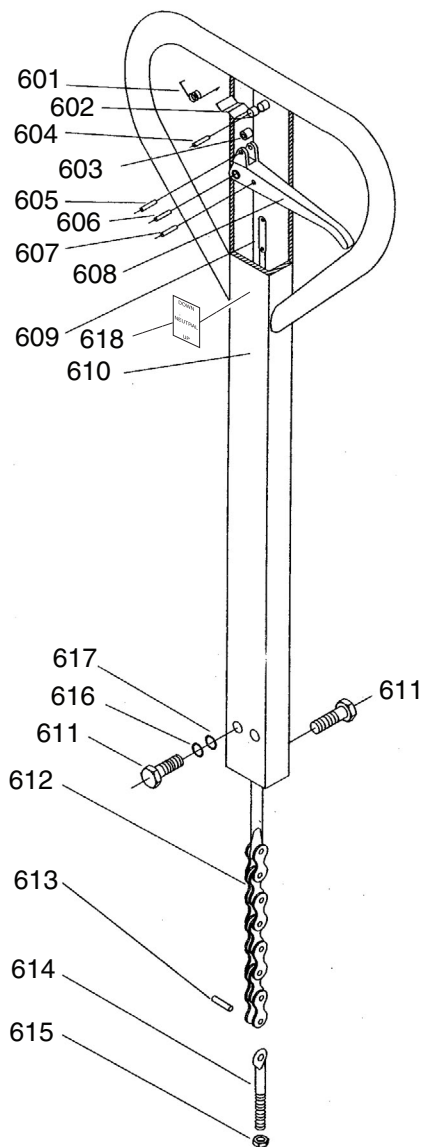


REF	PART #	DESCRIPTION
201	PSB58M	CAP SCREW M8-1.25 X 12
202	PH6289202	OIL HOLDER
203	PH6289203	ROCK ARM 27"
204	PRP91M	ROLL PIN 5 X 35
205	PR06M	EXT RETAINING RING 16MM
206	PH6289206	JOINT
207	PH6289207	SHORT SHAFT 16 X 45
208	PH6289208	STRAIGHT TAPPET 48"
209	PH6289209	HEX NUT M22-1.5
210	PH6289210	ALIGNMENT PIN 16 X 48
211	PH6289211	LONG SHAFT 27"

REF	PART #	DESCRIPTION
212	PH6289212	SHORT SHAFT 20 X 152
213	PRP27M	ROLL PIN 5 X 28
214	PH6289214	SHORT SHAFT 16 X 85
215	PH6289215	FORK WHEEL FRAME
216	PRP91M	ROLL PIN 5 X 35
217	PH6289217	SINGLE FORK WHEEL SHAFT
218	PH6289218	FORK FRAME (27 X 48)
219	PH6289219	FLAT WASHER 20 X 2
220	P6204ZZ	BALL BEARING 6204ZZ
225	PH6289225	NYLON FORK WHEEL
226	PH6289226	MACHINE ID LABEL H6289



H6289 Handle Assembly Breakdown



REF	PART #	DESCRIPTION
601	PH6289601	TORSION SPRING
602	PH6289602	BLADE SPRING
603	PH6289603	ROLLER
604	PRP22M	ROLL PIN 4 X 32
605	PRP39M	ROLL PIN 4 X 20
606	PH6289606	ROLL PIN 6 X 32
607	PRP60M	ROLL PIN 4 X 15
608	PH6289608	LEVER
609	PH6289609	PULL ROD
610	PH6289610	HANDLE TUBE
611	PB09M	HEX BOLT M8-1.25 X 20
612	PH6289612	CHAIN
613	PRP99M	ROLL PIN 2 X 12
614	PH6289614	ADJUSTING SCREW M5-.8 X 35
615	PLN02M	LOCK NUT M5-.8
616	PLW04M	LOCK WASHER 8MM
617	PW01M	FLAT WASHER 8MM
618	PH6287221	HANDLE POSITION LABEL

