

# SECTION 3: PARTS INVENTORY

REF	PART #	DESCRIPTION
1	PH5966001	Mandolin Body
2	PH5966002	Neck
3	PH5966003	Fretboard
4	PH5966004	Bridge
5	PH5966005	Tuning Machines with Screws
6	PH5966006	Pickguard Assembly
7	PH5966007	Nut
8	PH5966008	Endpin with Screw
9	PH5966009	Dowels
10	PH5966010	Strings
11	PH5966011	Tailpiece with Screws
12	PH5966012	Fretboard Extender
13	PH5966013	Tuning Machine Bushings

## Supplies/Tools

The majority of the wooden components in this kit are fully machined from the factory and are ready for assembly. A small amount of sanding and finishing will need to be performed to complete the mandolin.

### Recommended Tools & Supplies:

- Wood Glue
- #80 to #320 Sanding Paper
- Flexible Sanding Block
- "000" Grade Steel Wool
- Clamps or Rubber Strips (made from cut up inner tubes)
- Drill
- Drill Bits
- Small Brad Nails
- Wire Cutters
- Razor Blade
- Chisel
- Phillips Screwdriver
- Masking Tape
- Razor Saw
- Lightweight Hammer
- Steel Straight Edge
- File Assortment
- Finishing Materials

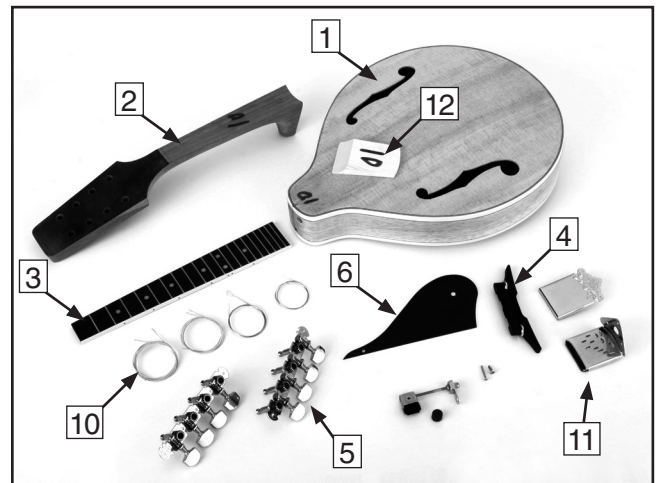


Figure 1. Boxed components.

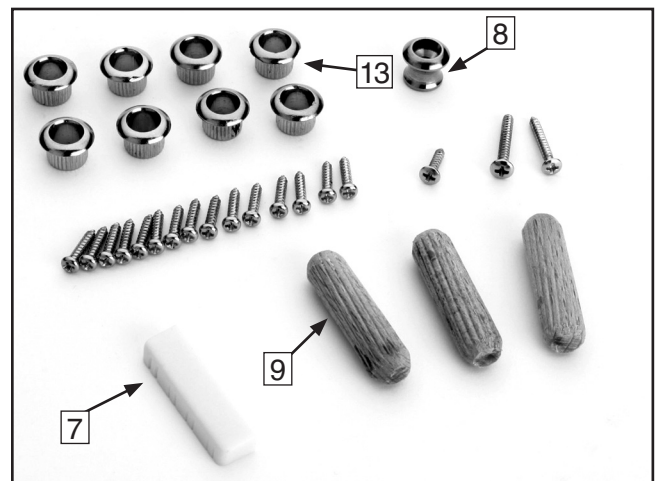


Figure 2. Hardware Bags.

