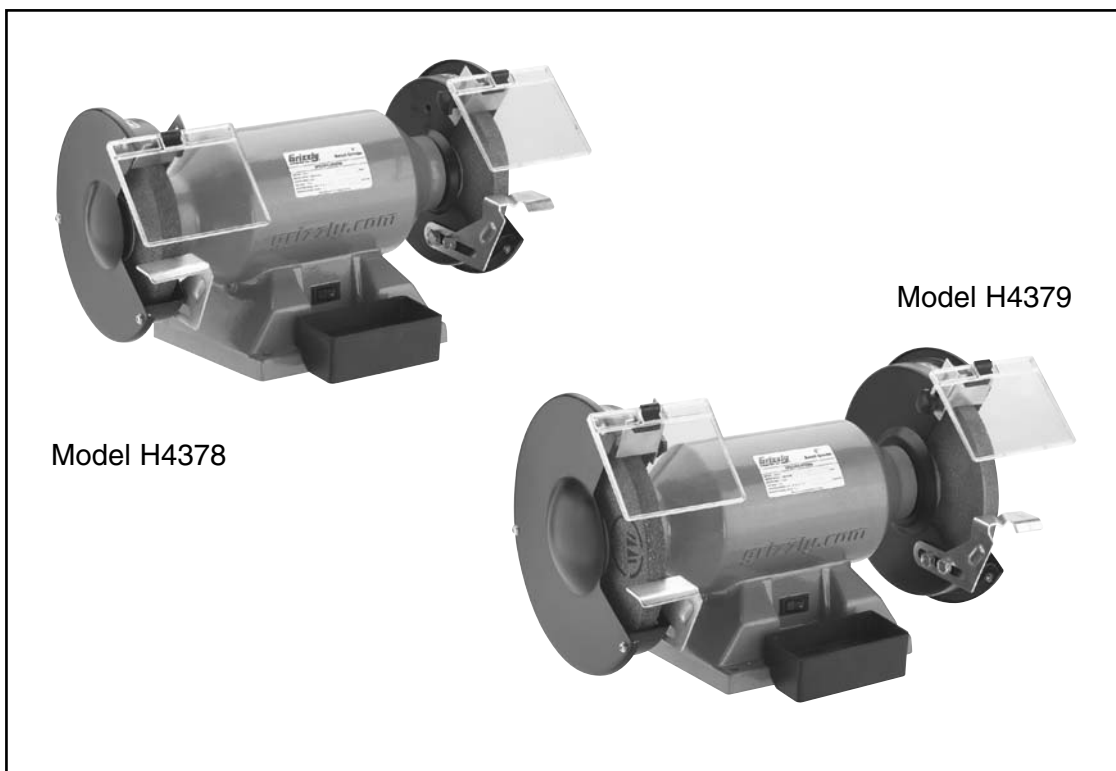


Grizzly *Industrial, Inc.*®

SLIMLINE BENCH GRINDER

MODEL H4378/H4379

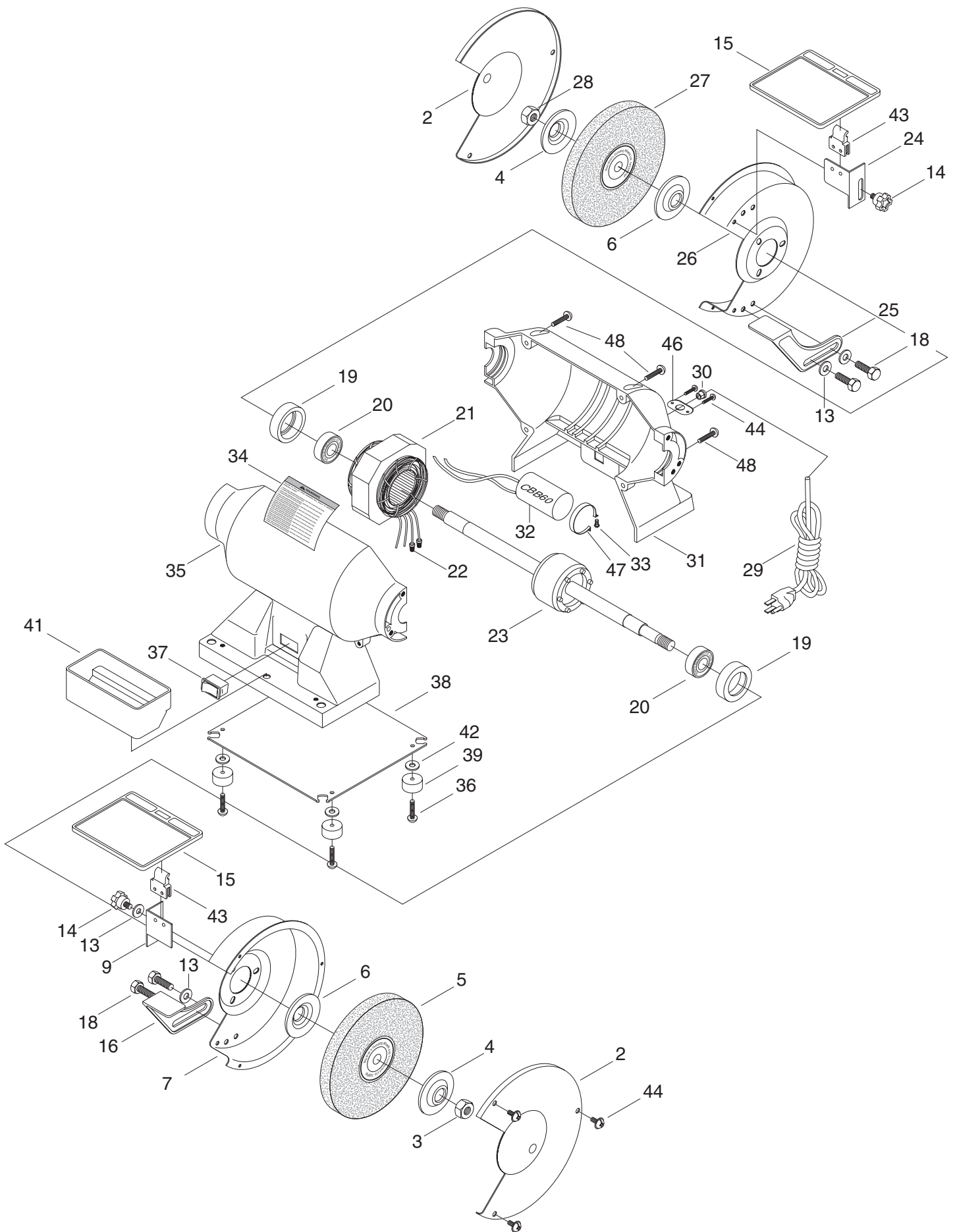
PARTS LIST



COPYRIGHT © APRIL, 2002 BY GRIZZLY INDUSTRIAL, INC.
**WARNING: NO PORTION OF THIS MANUAL MAY BE REPRODUCED IN ANY SHAPE
OR FORM WITHOUT THE WRITTEN APPROVAL OF GRIZZLY INDUSTRIAL, INC.**
PRINTED IN CHINA.

ONLINE PARTS LIST DISCLAIMER

THESE PARTS REPRESENT THE CONFIGURATION OF THE MACHINE AS IT IS CURRENTLY BEING SHIPPED. THE MACHINE CONFIGURATION CAN CHANGE AS PRODUCT IMPROVEMENTS ARE INCORPORATED. IF YOU OWN AN EARLIER VERSION OF THE MACHINE, THIS PARTS LIST MAY NOT EXACTLY DEPICT YOUR MACHINE. CONTACT CUSTOMER SERVICE IF YOU HAVE ANY QUESTIONS ABOUT PART DIFFERENCES. PREVIOUS PARTS LIST VERSIONS ARE NOT AVAILABLE ONLINE.



MODEL H4378 PARTS

Ref#	Part#	Description
02	PH4378002	COVER
03	PN06	HEX NUT 1/2"
04	PH4378004	FLANGE
05	PH4378005	GRINDER WHEEL
06	PH4378006	FLANGE
07	PH4378007	WHEEL GUARD
09	PH4378009	SPARK BREAKER
13	PW06	FLAT WASHER 5/16"
14	PH4378014	KNOB SCREW 1/4"-20 X 3/8"
15	PH4378015	EYESHIELD
16	PH4378016	ADJUSTABLE REST
18	PB15	HEX BOLT 5/16"-18 X 3/8"
19	PH4378019	BUSHING
20	P6202	BALL BEARING 6202-2RS
21	PH4378021	MOTOR STATOR
22	PH4378022	WIRE NUT
23	PH4378023	MOTOR SHAFT
24	PH4378024	SPARK BREAKER
25	PH4378025	ADJUSTABLE REST
26	PH4378026	WHEEL GUARD

Ref#	Part#	Description
27	PH4378027	GRINDER WHEEL
28	PN26	LEFT HAND HEX NUT 1/2"
29	PH4378029	WIRE
30	PH4378030	STRAIN RELIEF
31	PH4378031	BACK BODY
32	PH4378032	CAPACITOR CBB60
33	PS01	PHLP HD SCR 10-24 X 1/2"
34	PH4378034	MACHINE ID LABEL
35	PH4378035	FRONT BODY
36	PS22	PHLP HD SCR 10-24 X 5/8"
37	PH4378037	SWITCH
38	PH4378038	BASE PLATE
39	PH4378039	PAD
41	PH4378041	COOLING TRAY
42	PW03	FLAT WASHER #10
43	PH4378043	EYESHIELD CLIP
44	PS06	PHLP HD SCR 10-24 X 3/8"
46	PH4378046	STRAIN RELIEF PLATE
47	PH4378047	CAPACITOR BRACKET
48	PS01	PHLP HD SCR 10-24 X 1"

MODEL H4379 PARTS

Ref#	Part#	Description
02	PH4379002	COVER
03	PN04	HEX NUT 5/8"
04	PH4379004	FLANGE
05	PH4379005	GRINDER WHEEL
06	PH4379006	FLANGE
07	PH4379007	WHEEL GUARD
09	PH4378009	SPARK BREAKER
13	PW06	FLAT WASHER 5/16"
14	PH4378014	KNOB SCREW 1/4"-20 X 3/8"
15	PH4378015	EYESHIELD
16	PH4378016	ADJUSTABLE REST
18	PB15	HEX BOLT 5/16"-18 X 3/8"
19	PH4379019	BUSHING
20	P6203	BALL BEARING 6203-2RS
21	PH4379021	MOTOR STATOR
22	PH4378022	WIRE NUT
23	PH4379023	MOTOR SHAFT
24	PH4378024	SPARK BREAKER
25	PH4378025	ADJUSTABLE REST
26	PH4379026	WHEEL GUARD

Ref#	Part#	Description
27	PH4379027	GRINDER WHEEL
28	PN27	LEFT HAND HEX NUT 5/8"
29	PH4378029	WIRE
30	PH4378030	STRAIN RELIEF
31	PH4378031	BACK BODY
32	PH4378032	CAPACITOR CBB60
33	PS01	PHLP HD SCR 10-24 X 1/2"
34	PH4379034	MACHINE ID LABEL
35	PH4378035	FRONT BODY
36	PS22	PHLP HD SCR 10-24 X 5/8"
37	PH4378037	SWITCH
38	PH4378038	BASE PLATE
39	PH4378039	PAD
41	PH4378041	COOLING TRAY
42	PW03	FLAT WASHER #10
43	PH4378043	EYESHIELD CLIP
44	PS06	PHLP HD SCR 10-24 X 3/8"
46	PH4378046	STRAIN RELIEF PLATE
47	PH4378047	CAPACITOR BRACKET
48	PS01	PHLP HD SCR 10-24 X 1"