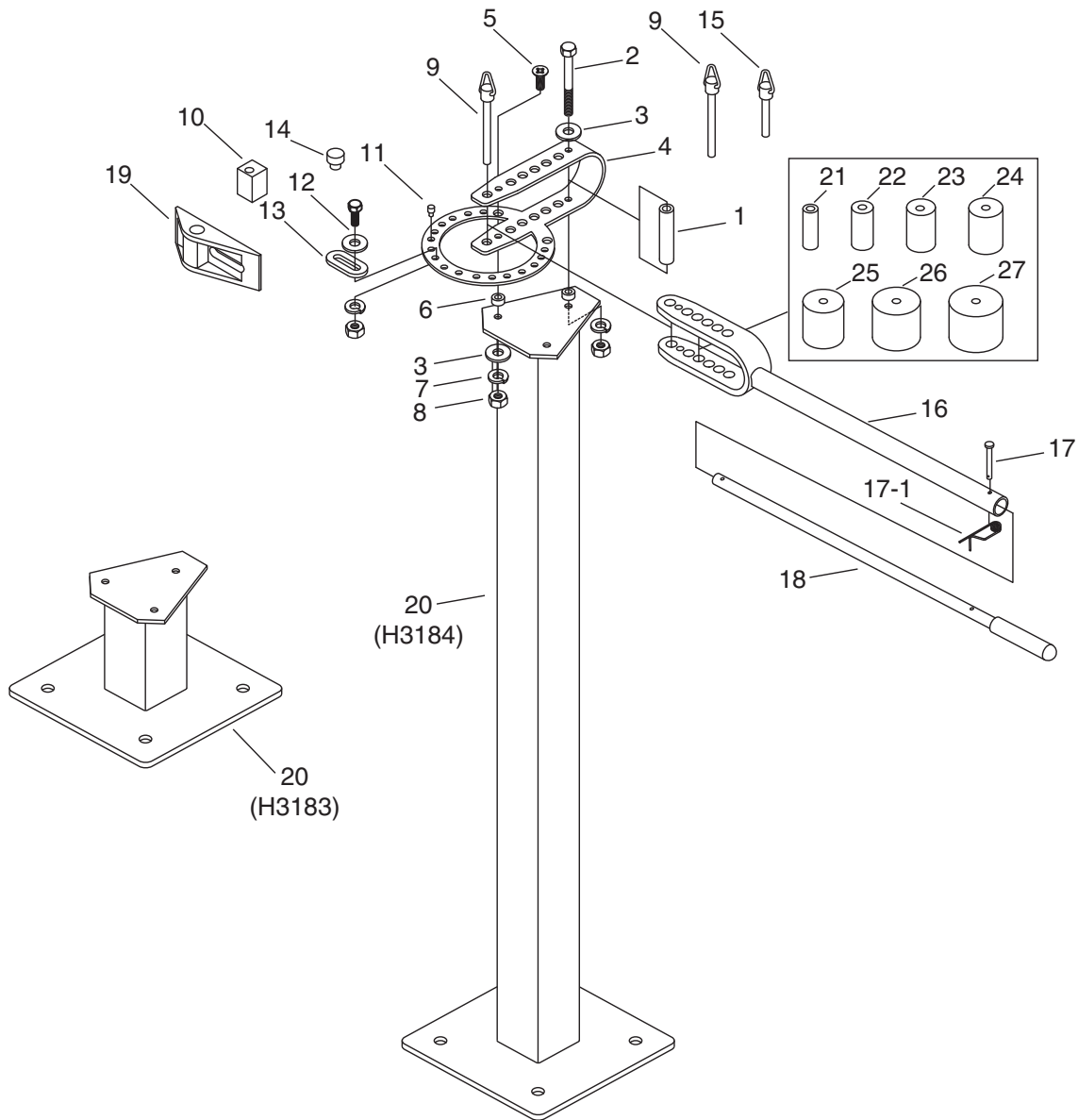


H3183/H3184 Breakdown and Parts



REF	PART #	DESCRIPTION
1	PH3183001	LARGE SPACER 70 X 25 X 10
2	PB111M	HEX BOLT M10-1.5 X 120
3	PW04M	FLAT WASHER 10MM
4	PH3183004	BENDING BRACKET
5	PFH24M	FLAT HD SCR M10-1.5 X 35
6	PH3183006	SMALL SPACER 8 X 16 X 11
7	PLW06M	LOCK WASHER 10MM
8	PN02M	HEX NUT M10-1.5
9	PH3183009	LARGE HITCH PIN 100 X 14
10	PH3183010	STOP BLOCK
11	PH3183011	FIXED STOP
12	PB01M	HEX BOLT M10-1.5 X 30
13	PH3183013	ADJUSTABLE STOP
14	PH3183014	STOP BLOCK SUPPORT PIN
15	PH3183015	SMALL HITCH PIN 75 X 14

REF	PART #	DESCRIPTION
16	PH3183016	YOKE ARM
17	PH3183017	CLEVIS PIN
17-1	PH3183017-1	SPRING COTTER PIN
18	PH3183018	HANDLE
19	PH3183019	ANGLE BENDING ATTACHMENT
20	PH3183020	BASE (H3183)
20	PH3184020	BASE (H3184)
21	PH3183021	DIE 1"
22	PH3183022	DIE 1-1/4"
23	PH3183023	DIE 1-1/2"
24	PH3183024	DIE 1-3/4"
25	PH3183025	DIE 2"
26	PH3183026	DIE 2-1/2"
27	PH3183027	DIE 3"