

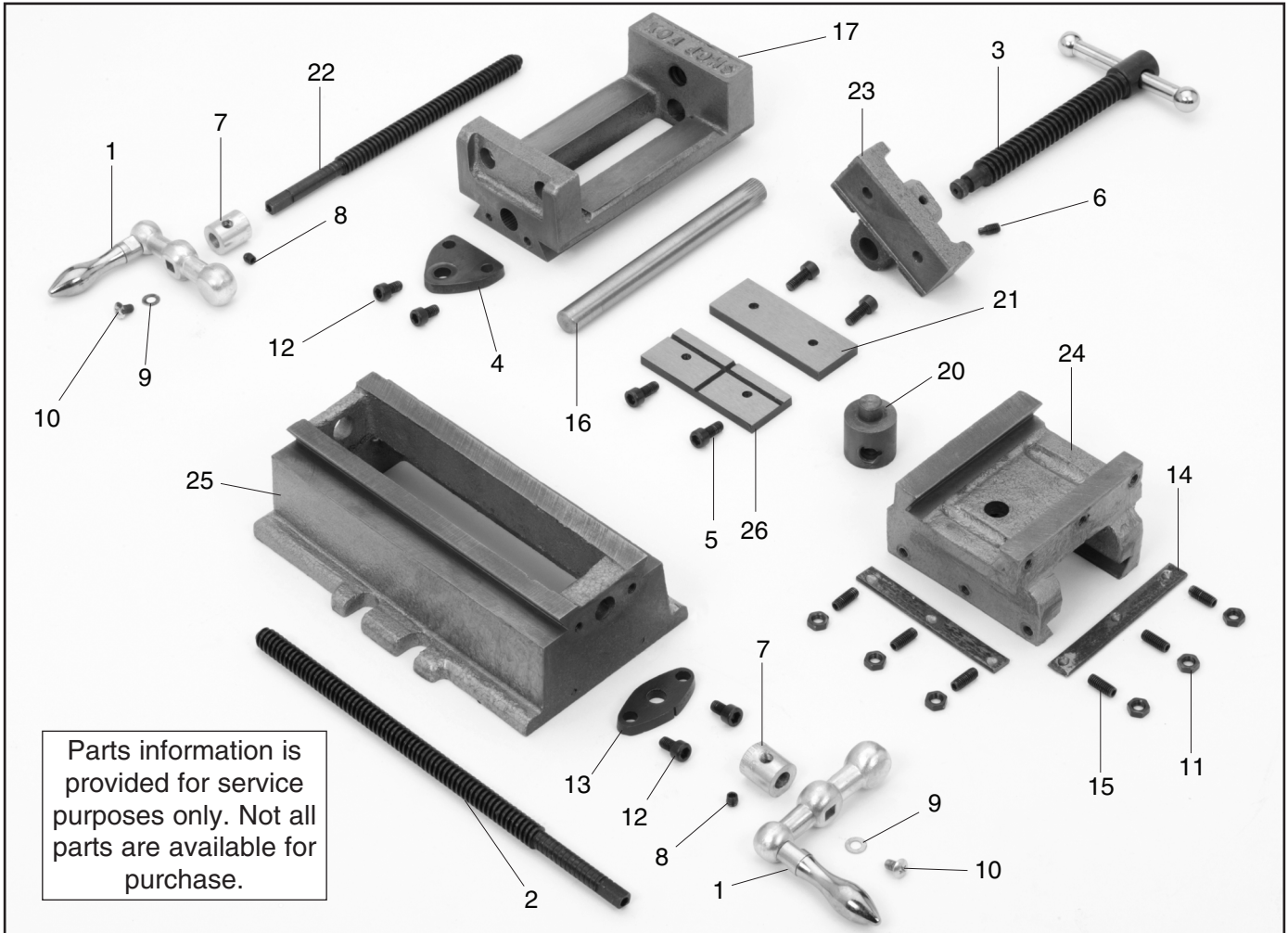


# MODEL H0966/H0967

## 3" & 4"

### CROSS SLIDE VISE

#### PARTS INFORMATION



Parts information is provided for service purposes only. Not all parts are available for purchase.

REF PART #	DESCRIPTION
1	PH0966001 BALL HANDLE ASSEMBLY
2	PH0966002 LONGITUDINAL LEADSCREW 16-4 X 160
3	PH0966003 VISE LEADSCREW W/HANDLE ASSY
4	PH0966004 CROSS LEADSCREW END BRACKET
5	PCAP26M CAP SCREW M6-1 X 12
6	PH0966006 DOG POINT SET SCREW M6-1 X 8
7	PH0966007 LEADSCREW LOCK COLLAR
8	PSS02M SET SCREW M6-1 X 6
9	PW03M FLAT WASHER 6MM
10	PS09M PHLP HD SCR M5-.8 x 10
11	PN01M HEX NUT M6-1
12	PCAP26M CAP SCREW M6-1 X 12
13	PH0966013 LONG. LEADSCREW END BRACKET
14	PH0966014 GIB

REF PART #	DESCRIPTION
15	PSS25M SET SCREW M6-1 X 20
16	PH0966016 VISE SUPPORT ROD
17	PH0966017 FIXED VISE CASTING (H0966)
17	PH0967017 FIXED VISE CASTING (H0967)
20	PH0966020 LONGITUDINAL LEADSCREW NUT
21	PH0966021 SMOOTH VISE FACE (H0966)
21	PH0967021 SMOOTH VISE FACE (H0967)
22	PH0966022 CROSS LEADSCREW W/HANDLE ASSY
23	PH0966023 MOVEABLE VISE CASTING (H0966)
23	PH0967023 MOVEABLE VISE CASTING (H0967)
24	PH0966024 CROSS SLIDE CASTING
25	PH0966025 BASE CASTING
26	PH0966026 SLOTTED VISE FACE (H0966)
26	PH0967026 SLOTTED VISE FACE (H0967)

COPYRIGHT © JANUARY, 2010 BY GRIZZLY INDUSTRIAL, INC.  
**WARNING: NO PORTION OF THIS DOCUMENT MAY BE REPRODUCED IN ANY SHAPE OR FORM WITHOUT THE WRITTEN APPROVAL OF GRIZZLY INDUSTRIAL, INC.**  
 #TS12456 PRINTED IN CHINA