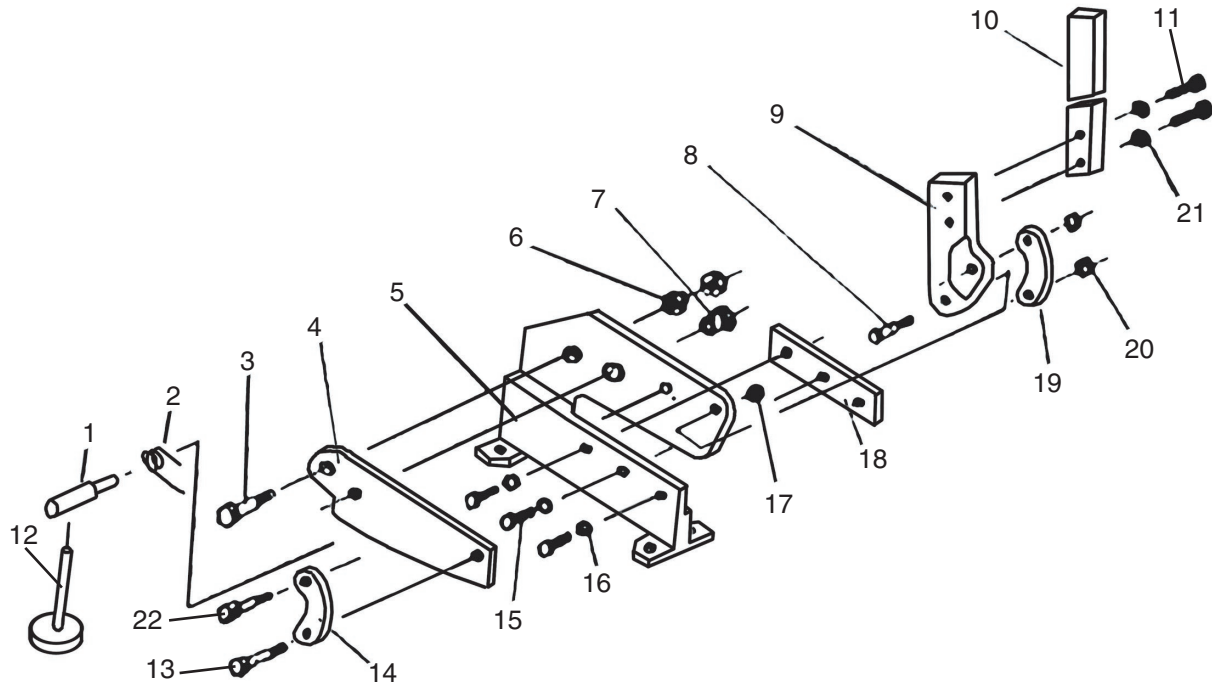


H0731-34 Parts Breakdown



H0731-33 Parts List

REF	PART #	DESCRIPTION
1	PH0731001	SPRING SUPPORT ROD
2	PH0731002	TORSION SPRING
3	PH0731003	SPECIAL HEX BOLT M14-1.5 X 40
4	PH0731004	UPPER BLADE 5" (H0731)
4	PH0732004	UPPER BLADE 6" (H0732)
4	PH0733004	UPPER BLADE 8" (H0733)
5	PH0731005	SHEAR BODY (H0731)
5	PH0732005	SHEAR BODY (H0732)
5	PH0733005	SHEAR BODY (H0733)
6	PN42M	HEX NUT M14-1.5
7	PH0731007	BLADE FIXING PIN
8	PH0731008	SPECIAL HEX BOLT M10-1.5 X 50
9	PH0731009	HANDLE MOUNTING PLATE
10	PH0731010	HANDLE (H0731-32)
10	PH0733010	HANDLE (H0733)
11	PB31M	HEX BOLT M10-1.5 X 40
12	PH0731012	THREADED STOP M12-1.75 X 165
13	PH0731013	SPECIAL HEX BOLT M8-1.25 X 40
14	PH0731014	PIVOT ARM
15	PB74M	HEX BOLT M10-1.5 X 20
16	PW04M	FLAT WASHER 10MM
17	PN02M	HEX NUT M10-1.5
18	PH0731018	LOWER BLADE 5" (H0731)
18	PH0732018	LOWER BLADE 6" (H0732)
18	PH0733018	LOWER BLADE 8" (H0733)
19	PH0731019	PIVOT ARM
20	PN15M	HEX NUT M18-1.25
21	PW04M	FLAT WASHER 10MM
22	PH0731022	THREADED ROD M8-1.25 x 40

H0734 Parts List

REF	PART #	DESCRIPTION
1	PH0734001	SPRING SUPPORT ROD
2	PH0734002	TORSION SPRING
3	PH0734003	SPECIAL HEX BOLT M18-1.5 X 50
4	PH0734004	UPPER BLADE 12"
5	PH0734005	SHEAR BODY
6	PN15M	HEX NUT M18-1.5
7	PH0734007	BLADE FIXING PIN
8	PH0734008	SPECIAL HEX BOLT M14-1.5 X 60
9	PH0734009	HANDLE MOUNTING PLATE
10	PH0734010	HANDLE
11	PB35M	HEX BOLT M12-1.75 X 40
12	PH0734012	THREADED STOP M12-1.75 X 165
13	PH0734013	SPECIAL HEX BOLT M14-1.5 X 60
14	PH0734014	PIVOT ARM
15	PB49M	HEX BOLT M12-1.75 X 20
16	PW06M	FLAT WASHER 12MM
17	PN42M	HEX NUT M14-1.5
18	PH0734018	LOWER BLADE 12"
19	PH0734019	PIVOT ARM
20	PN42M	HEX NUT M14-1.5
21	PW06M	FLAT WASHER 12MM
22	PH0734022	THREADED ROD M14-1.5 X 60

COPYRIGHT © MAY, 2006 BY GRIZZLY INDUSTRIAL, INC.

WARNING: NO PORTION OF THIS MANUAL MAY BE REPRODUCED IN ANY SHAPE OR FORM WITHOUT THE WRITTEN APPROVAL OF GRIZZLY INDUSTRIAL, INC.

#JK8249 PRINTED IN CHINA