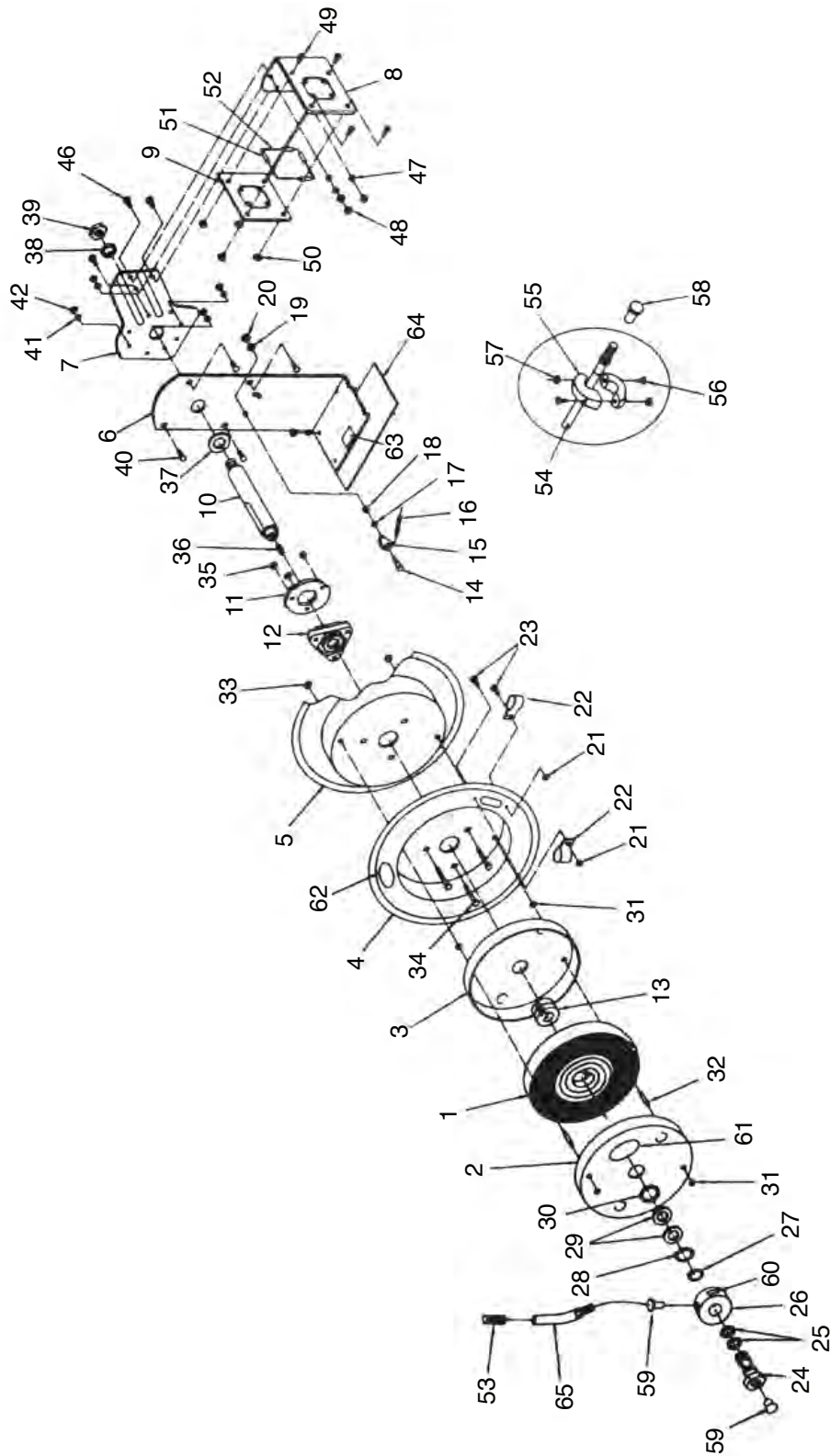


Model H0610/H0611 Breakdown



Model H0610/H0611 Parts List

REF	PART #	DESCRIPTION
1	PH0610001	COIL SPRING
2	PH0610002	OUTER SPRING DRUM
3	PH0610003	INNER SPRING DRUM
4	PH0610004	SPRINGSIDE DRUM
5	PH0610005	OUTER DRUM
6	PH0610006	BASE
7	PH0610007	ARM
8	PH0610008	GUIDE PLATE
9	PH0610009	GUIDE SUB PLATE
10	PH0610010	AXLE
11	PH0610011	TOOTHED LOCKING RING
12	PH0610012	ASSEMBLY HUB BEARING
13	PH0610013	SPRING CORE
14	PH0610014	SHOULDER BOLT M10-1.5 X 35
15	PH0610015	LOCKING CAM
16	PH0610016	SPRING DOG
17	PH0610017	SPACER WASHER 13.45 X 1.6MM
18	PH0610018	SPACER WASHER 13.5 X 6.6MM
19	PLW06M	LOCK WASHER 10MM
20	PN02M	HEX NUT M10-1.5
21	PN06M	HEX NUT M5-.8
22	PH0610022	HOSE CLAMP
23	PS09M	PHLP HD SCR M5-.8 X 10
24	PH0610024	VALVE CORE
24	PH0611024	VALVE CORE
25	PH0610025	O-RING 15.54 X 3.53
26	PH0610026	VALVE
27	PR06M	EXT RETAINING RING 16MM
28	PR08M	EXT RETAINING RING 19MM
29	PH0610029	SPACER WASHER 19.5 X 1.5MM
30	PH0610030	SPACER WASHER 25.5 X 1.5MM
31	PN06M	HEX NUT M5-.8
32	PH0610032	DBL END THREAD AXLE M5 X 53MM

REF	PART #	DESCRIPTION
33	PN06M	HEX NUT M5-.8
34	PCB26M	CARRIAGE BOLT M6-1 X 40
35	PN01M	HEX NUT M6-1
36	PSS73M	SET SCREW M10-1.5 X 30
37	PH0610037	SPACER WASHER 25.5 X 2.5MM
38	PLW10M	LOCK WASHER 16MM
39	PN13M	HEX NUT M16-2
40	PCB33M	CARRIAGE BOLT M8-1.25 X 18
41	PLW04M	LOCK WASHER 8MM
42	PLN04M	LOCK NUT M8-1.25
46	PB85M	HEX BOLT M8-1.25 X 18
47	PLW04M	LOCK WASHER 8MM
48	PLN04M	LOCK NUT M8-1.25
49	PS09M	PHLP HD SCR M5-.8 X 10
50	PN06M	HEX NUT M5-.8
51	PH0610051	PLASTIC ROLLER 19 X 36MM
52	PH0610052	ROLLER AXLE 6 X 50MM
53	PH0610053	HOSE GUARD
54	PH0611054	HOSE 3/8 IN X 50 FT
54	PH0610054	HOSE 3/8 IN X 33 FT
55	PH0610055	RUBBER BUMPER
56	PS47M	PHLP HD SCR M6-1 X 25
57	PN01M	HEX NUT M6-1
58	PH0610058	HOSE END COVER
59	PH0610059	VALVE COVER
60	PH0610060	CAUTION LABEL
61	PH0610061	H0610 MODEL # LABEL
61	PH0611061	H0611 MODEL # LABEL
62	PH0610062	HOSE ROTATION LABEL
63	PH0610063	WARNING LABEL
64	PH0610064	WOOD PLATE
65	PH0610065	CONNECTOR HOSE 3/8 IN.

Parts information is provided for service purposes only. Not all parts are available for purchase.

If you need help with your new hose reel, call our Tech Support at: (570) 546-9663.

COPYRIGHT © OCTOBER, 2009 BY GRIZZLY INDUSTRIAL, INC.
WARNING: NO PORTION OF THIS MANUAL MAY BE REPRODUCED IN ANY SHAPE OR FORM WITHOUT THE WRITTEN APPROVAL OF GRIZZLY INDUSTRIAL, INC.
 #BL12255 PRINTED IN CHINA

