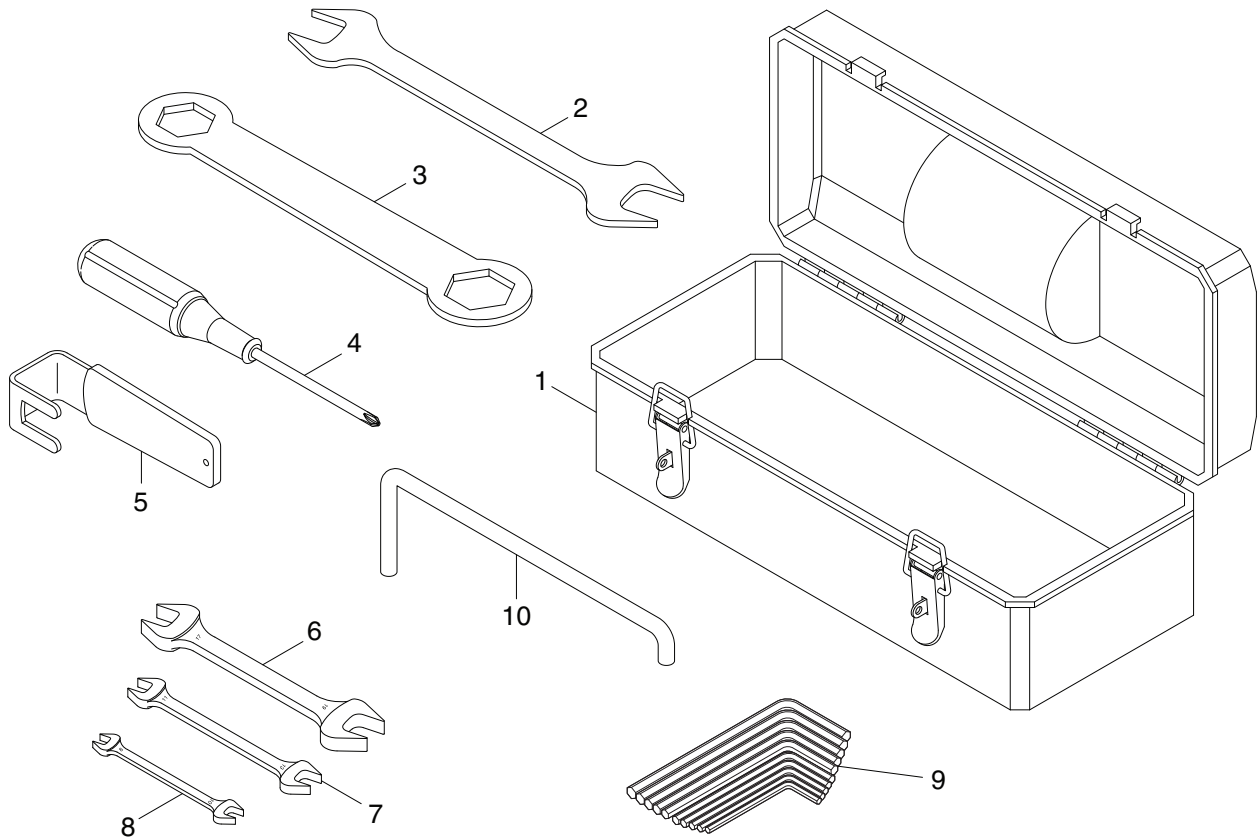


SECTION 9: PARTS

Please Note: We do our best to stock replacement parts whenever possible, but we cannot guarantee that all parts shown here are available for purchase. Call (800) 523-4777 or visit our online parts store at www.grizzly.com to check for availability.

Accessories

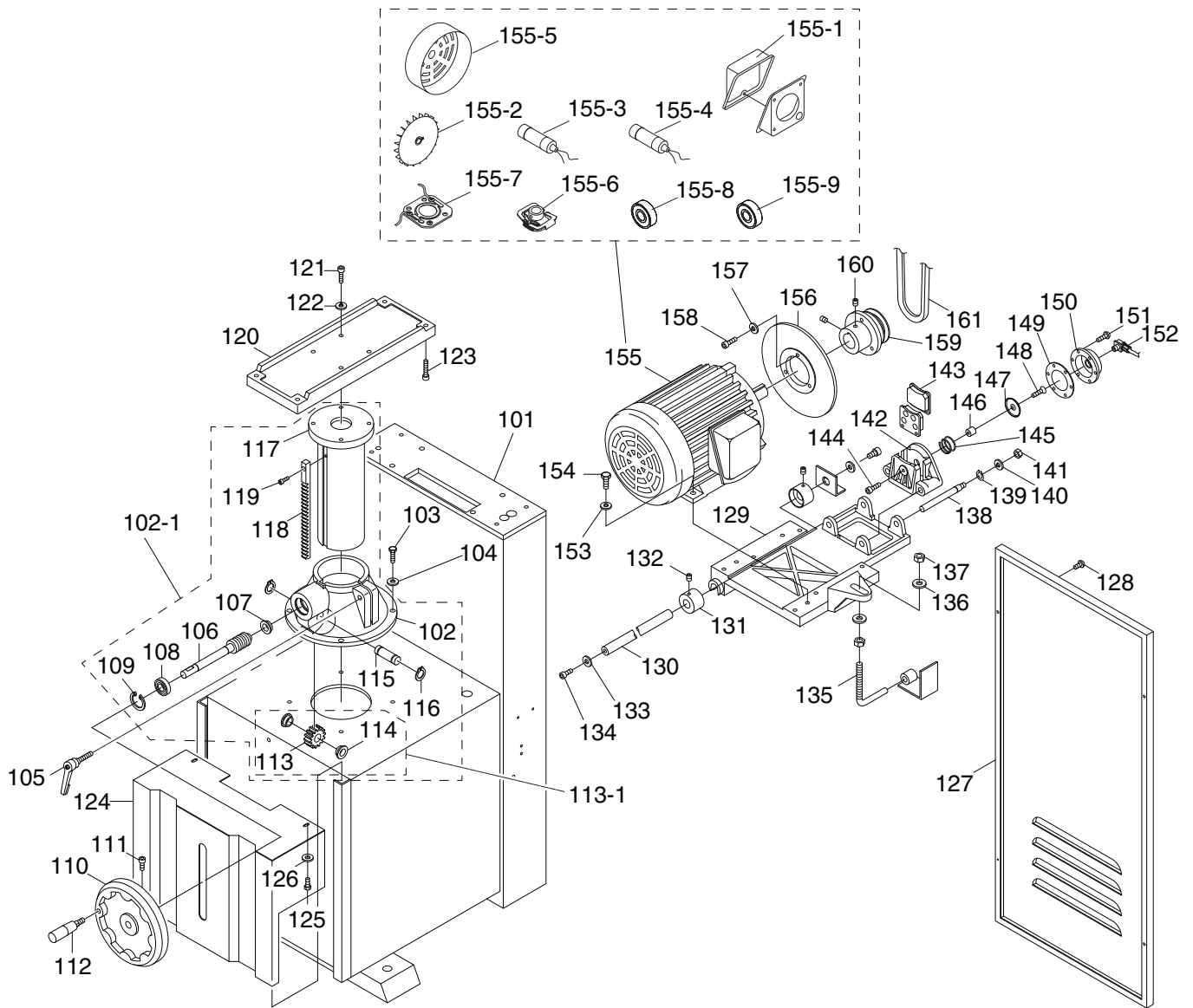


REF PART #	DESCRIPTION
1	P9983001 TOOL BOX
2	PWR1214 WRENCH 12 X 14MM OPEN-END
3	P9983003 FLAT WRENCH 30/37MM
4	PSDP2 PHLP HD SCREWDRIVER #2
5	P9983005 ACCESS DOOR HANDLE

REF PART #	DESCRIPTION
6	PWR1719 WRENCH 17 X 19MM OPEN-END
7	PWR1113 WRENCH 11 X 13MM OPEN-END
8	PWR810 WRENCH 8 X 10MM OPEN-END
9	PAW1510M HEX WRENCH 1.5-10MM 10PC SET
10	P9983010 PLATEN TOOL



Base & Sanding Motor



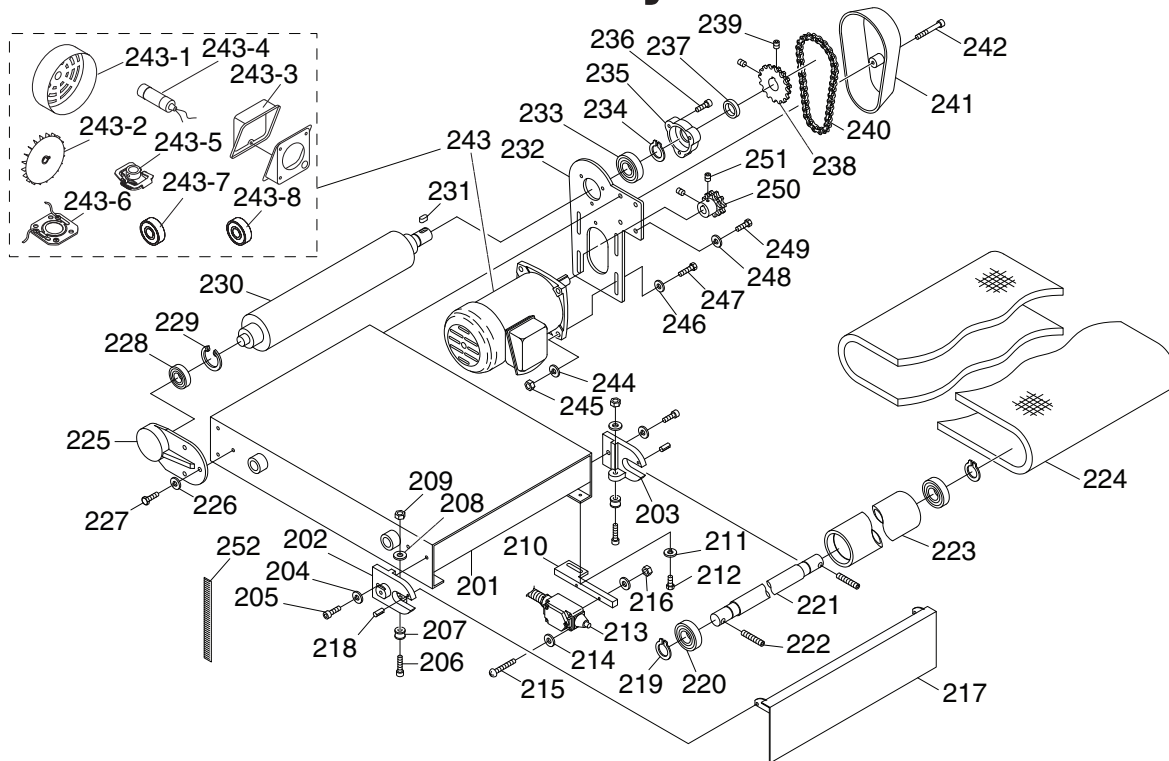
Base & Sanding Motor Parts List

REF	PART #	DESCRIPTION
101	P9983101	MACHINE BASE
102	P9983102	QUILL BASE
102-1	P9983102-1	QUILL ASSY
103	PCAP64M	CAP SCREW M10-1.5 X 25
104	PLW06M	LOCK WASHER 10MM
105	P9983105	ADJUSTABLE HANDLE
106	P9983106	WORM GEAR SHAFT
107	P51102	THRUST BEARING 51102
108	P6203ZZ	BALL BEARING 6203ZZ
109	PR23M	INT RETAINING RING 40MM
110	P9983110	HANDWHEEL
111	PCAP64M	CAP SCREW M10-1.5 X 25
112	P9983112	HANDLE M10
113	P9983113	WORM GEAR
113-1	P9983113-1	WORM GEAR ASSEMBLY
114	P9983114	WORM GEAR BUSHING
115	P9983115	GEAR SHAFT
116	PR18M	EXT RETAINING RING 17MM
117	P9983117	QUILL
118	P9983118	RACK
119	PCAP26M	CAP SCREW M6-1 X 12
120	P9983120	CONVEYOR SUPPORT
121	PCAP12M	CAP SCREW M8-1.25 X 40
122	PLW04M	LOCK WASHER 8MM
123	PCAP12M	CAP SCREW M8-1.25 X 40
124	P9983124	QUILL COVER
125	PS14M	PHLP HD SCR M6-1 X 12
126	PW03M	FLAT WASHER 6MM
127	P9983127	MACHINE REAR COVER
128	PS47M	PHLP HD SCR M6-1 X 25
129	P9983129	MOTOR BASE
130	P9983130	SETTING SHAFT
131	P9983131	LOCK BUSHING
132	PSS09M	SET SCREW M8-1.25 X 20
133	PW04M	FLAT WASHER 10MM
134	PCAP62M	CAP SCREW M10-1.5 X 12

REF	PART #	DESCRIPTION
135	P9983135	MOTOR MOUNT L-BOLT
136	PW06M	FLAT WASHER 12MM
137	PN09M	HEX NUT M12-1.75
138	P9983138	BRAKE PIN
139	PR47M	EXT RETAINING RING 13MM
140	PLW06M	LOCK WASHER 10MM
141	PN02M	HEX NUT M10-1.5
142	P9983142	BRAKE CALIPER
143	P9983143	BRAKE PAD 2-PC
144	PS14M	PHLP HD SCR M6-1 X 12
145	P9983145	COMPRESSION SPRING D34 X 15
146	P9983146	BRAKE AXLE
147	P9983147	SPRING COVER
148	PS47M	PHLP HD SCR M6-1 X 25
149	P9983149	GASKET
150	P9983150	TOP COVER
151	PS20M	PHLP HD SCR M5-.8 X 15
152	P9983514	PLASTIC CONNECTOR L6-1/8"
153	PLW06M	LOCK WASHER 10MM
154	PB01M	HEX BOLT M10-1.5 X 30
155	P9983155	SPINDLE MOTOR 5HP 220V 1-PH
155-1	P9983155-1	TERMINAL BOX
155-2	P9983155-2	MOTOR FAN
155-3	P9983155-3	S CAPACITOR 800M 250V 1-3/4 X 3-1/2
155-4	P9983155-4	R CAPACITOR 80M 350V 1-5/23 X 3-1/2
155-5	P9983155-5	MOTOR FAN COVER
155-6	P9983155-6	CENTRIFUGAL SWITCH
155-7	P9983155-7	CONTACT PLATE
155-8	P9983155-8	FRONT MOTOR BEARING
155-9	P9983155-9	REAR MOTOR BEARING
156	P9983156	BRAKE ROTOR
157	PLW06M	LOCK WASHER 10MM
158	PCAP75M	CAP SCREW M10-1.5 X 18
159	P9983159	MOTOR PULLEY
160	PSS13M	SET SCREW M10-1.5 x 12
161	PVA71	V-BELT A71



Conveyor



REF	PART #	DESCRIPTION
201	P9983201	CONVEYOR SUPPORT
202	P9983202	ROLLER BRACKET LH
203	P9983203	ROLLER BRACKET RH
204	PLW04M	LOCK WASHER 8MM
205	PB07M	HEX BOLT M8-1.25 X 25
206	PCAP40M	CAP SCREW M8-1.25 X 35
207	P9983207	PLASTIC ROLLER
208	PLW04M	LOCK WASHER 8MM
209	PN03M	HEX NUT M8-1.25
210	P9983210	LIMIT SWITCH BASE
211	PW03M	FLAT WASHER 6MM
212	PS14M	PHLP HD SCR M6-1 X 12
213	P9983213	LIMIT SWITCH
214	PW05M	FLAT WASHER 4MM
215	PS48M	PHLP HD SCR M4-.7 X 50
216	PN04M	HEX NUT M4-.7
217	P9983217	E-BRAKE PANEL
218	PRP03M	ROLL PIN 5 X 20
219	PR11M	EXT RETAINING RING 25MM
220	P6305ZZ	BALL BEARING 6305ZZ
221	P9983221	CONVEYOR AXLE
222	PSS39M	SET SCREW M10-1.5 X 50
223	P9983223	CONVEYOR ROLLER
224	P9983224	CONVEYOR BELT 380 X 1600MM
225	P9983225	BEARING SEAT
226	PLW04M	LOCK WASHER 8MM
227	PB09M	HEX BOLT M8-1.25 X 20
228	P6204ZZ	BALL BEARING 6204ZZ
229	PR25M	INT RETAINING RING 47MM
230	P9983230	MAIN ROLLER

REF	PART #	DESCRIPTION
231	PK67M	KEY 8 X 7 X 15
232	P9983232	MOTOR PANEL
233	P6205ZZ	BALL BEARING 6205ZZ
234	PR11M	EXT RETAINING RING 25MM
235	P9983235	BEARING COVER
236	PCAP74M	CAP SCREW M6-1 X 18
237	P9983237	BUSHING
238	P9983238	COMBO SPROCKET 19T/24T
239	PSS02M	SET SCREW M6-1 X 6
240	P9983240	CHAIN 3/8" X 48PC
241	P9983241	CHAIN COVER
242	PCAP37M	CAP SCREW M6-1 X 50
243	P9983243	FEED MOTOR 1/4HP 220V 1-PH
243-1	P9983243-1	MOTOR FAN COVER
243-2	P9983243-2	MOTOR FAN
243-3	P9983243-3	MOTOR JUNCTION BOX
243-4	P9983243-4	S CAPACITOR
243-5	P9983243-5	CENTRIFUGAL SWITCH
243-6	P9983243-6	CONTACT PLATE
243-7	P9983243-7	FRONT BALL BEARING
243-8	P9983243-8	REAR BALL BEARING
244	PLW04M	LOCK WASHER 8MM
245	PN03M	HEX NUT M8-1.25
246	PW01M	FLAT WASHER 8MM
247	PB26M	HEX BOLT M8-1.25 X 30
248	PLW04M	LOCK WASHER 8MM
249	PB09M	HEX BOLT M8-1.25 X 20
250	P9983250	COMBO SPROCKET 12T/14T
251	PSS02M	SET SCREW M6-1 X 6
252	P9983252	CONVEYOR HEIGHT SCALE



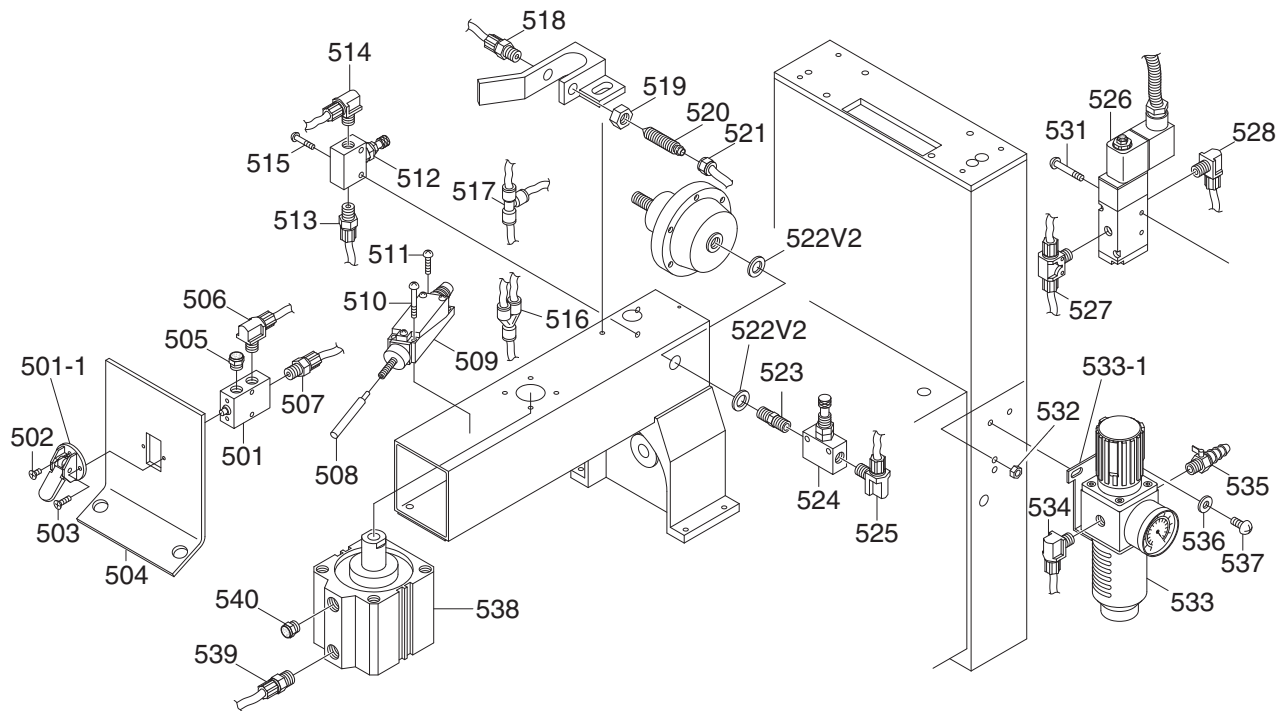
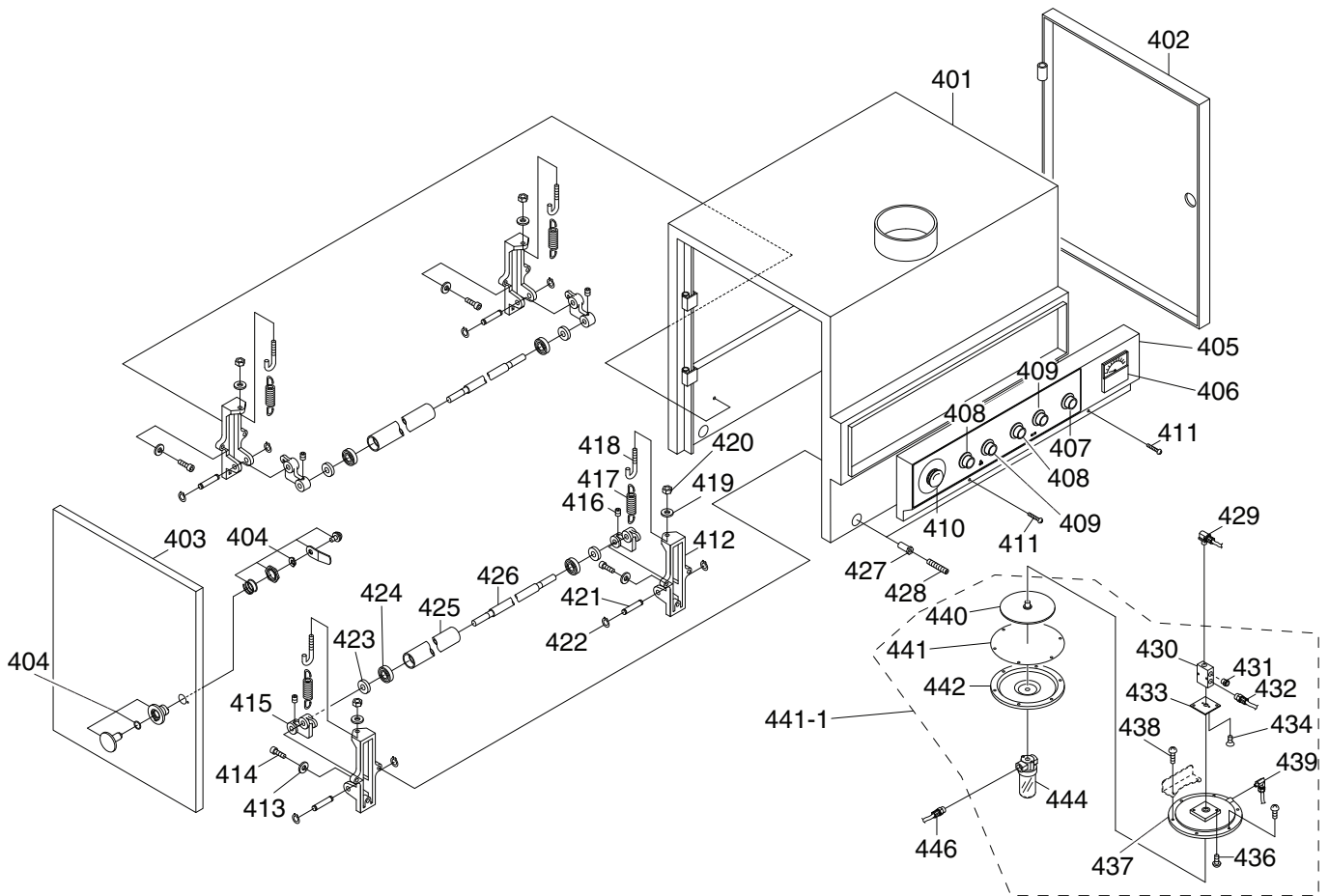
Sanding Belt Drive System Parts List

REF	PART #	DESCRIPTION
301	P9983301	CONTACT ROLLER BASE
302	PLW06M	LOCK WASHER 10MM
303	PCAP72M	CAP SCREW M10-1.5 X 30
304	P9983304	SWITCH PLATE
305	PW04M	FLAT WASHER 10MM
306	PLW06M	LOCK WASHER 10MM
307	PCAP72M	CAP SCREW M10-1.5 X 30
308	P9983308	COVER
309	PS02M	PHLP HD SCR M4-.7 X 12
310	PLW04M	LOCK WASHER 8MM
311	PB07M	HEX BOLT M8-1.25 X 25
312	P9983312	FORK
313	PW03M	FLAT WASHER 6MM
314	PS14M	PHLP HD SCR M6-1 X 12
315	P9983315	CYLINDER ROLLER FRAME
316	PSS04M	SET SCREW M6-1 X 12
317	P9983317	SUPPORT TUBE
318	PLW04M	LOCK WASHER 8MM
319	PCAP76M	CAP SCREW M8-1.25 X 18
320	P9983320	TOP ROLLER SUPPORT LH
321	PLW04M	LOCK WASHER 8MM
322	PCAP76M	CAP SCREW M8-1.25 X 18
323	P9983323	TOP ROLLER SUPPORT RH
324	PSS04M	SET SCREW M6-1 X 12
325	P9983325	KNOB BOLT M8-1.25 X 80
326	P9983326	ECCENTRIC SHAFT
327	PR11M	EXT RETAINING RING 25MM
328	P6205ZZ	BALL BEARING 6205ZZ
329	P9983329	TOP ROLLER
330	P9983330	TOP ROLLER SHAFT
331	P9983331	TOP COVER
332	P9983332	DIAPHRAGM
333	PFH02M	FLAT HD SCR M6-1 X 12
334	P9983334	SPRING COVER
335	P9983335	SHAFT
336	P9983336	COMPRESSION SPRING D25 X 24
337	P9983337	BOTTOM COVER
338	PS06M	PHLP HD SCR M5-.8 X 20
339	PR05M	EXT RETAINING RING 15MM
340	PN02M	HEX NUT M10-1.5
341	P9983341	OSCILLATION SQUARE

REF	PART #	DESCRIPTION
342	PR11M	EXT RETAINING RING 25MM
343	PR25M	INT RETAINING RING 47MM
344	P6005ZZ	BALL BEARING 6005ZZ
345A	P9983345A	CONTACT ROLLER ASSEMBLY
346	P9983346	ROLLER SHAFT
347	P9983347	SLEEVE
348	PR11M	EXT RETAINING RING 25MM
349	PR25M	INT RETAINING RING 47MM
350	P6005ZZ	BALL BEARING 6005ZZ
351	P9983351	SUPPORT ROLLER
352	P9983352	ROLLER SHAFT
353	P9983353	BUSHING
354	P9983354	ROLLER BASE
355	P9983355	MICROMETER BASE
356	PCAP26M	CAP SCREW M6-1 X 12
357	P9983357	MICROMETER
358	PSS04M	SET SCREW M6-1 X 12
359	P9983359	MAIN WORM GEAR SHAFT
360	P9983360	CONNECTION COUPLING
361	PSS04M	SET SCREW M6-1 X 12
362	P9983362	SUPPORT WORM GEAR SHAFT
363	P9983363	GRAPHITE BASE LH
364	P9983364	GRAPHITE BASE RH
365	P9983365	WORM GEAR
366	P9983366	GEAR BUSHING
367	PLW04M	LOCK WASHER 8MM
368	PB03M	HEX BOLT M8-1.25 X 16
369	P9983369	VERT MICROMETER SCR M18-2.8 & M10-1.5
370	P9983370	PLATEN (MALE)
371	PW01M	FLAT WASHER 8MM
372	PCAP58M	CAP SCREW M8-1.25 X 12
373	P9983373	PLATEN (FEMALE)
374	P9983374	GRAPHITE CLOTH 3-3/8"W X 16-1/4"L
375	P9983375	SET PLATE
376	PW05M	FLAT WASHER 4MM
377	PS02M	PHLP HD SCR M4-.7 X 12
378	P9983378	LINING
379	PLW07M	LOCK WASHER 20MM
380	PN17M	HEX NUT M20-1.5
381	P9983381	SANDING BELT #180 16 X 48"
381-1	P9983381-1	SANDING BELT #240 16 X 48"



Sanding Cabinet & Air System



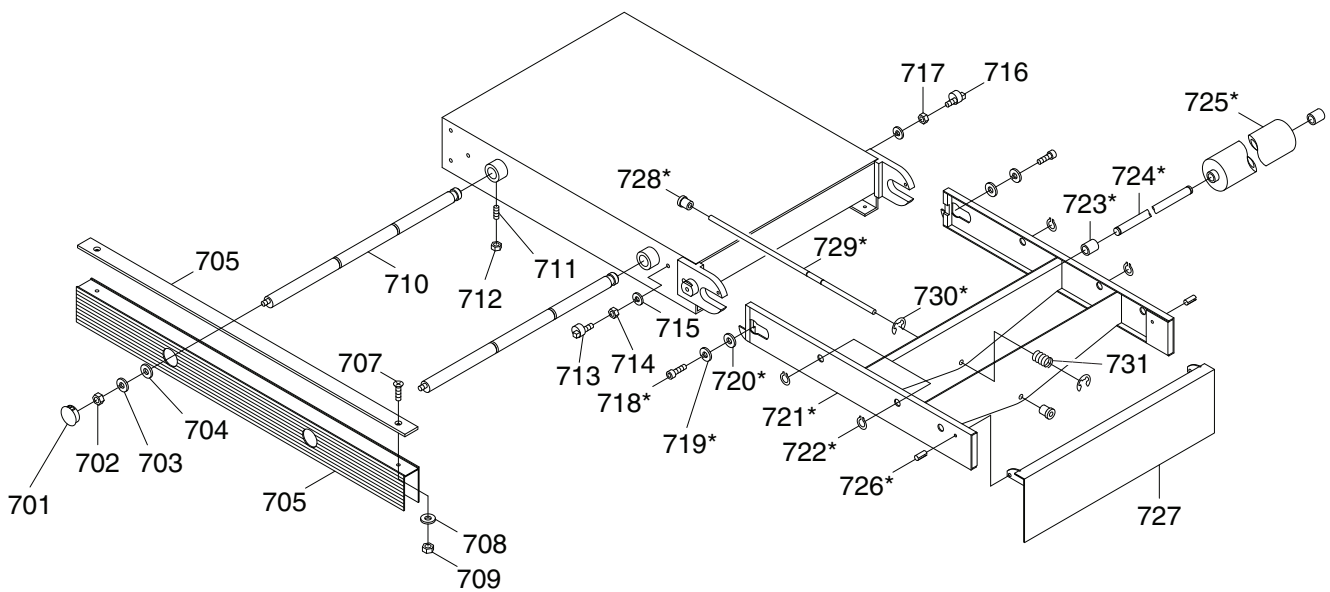
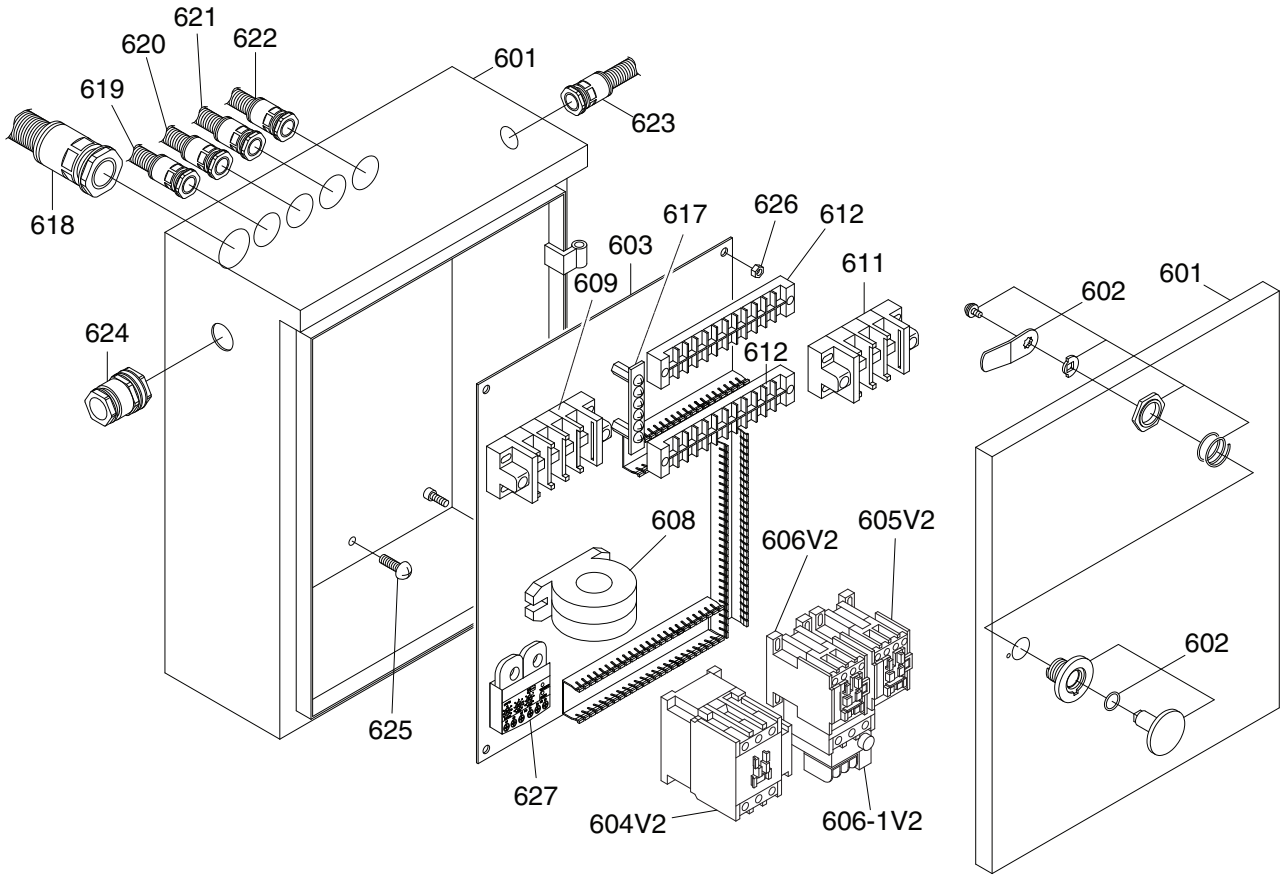
Sanding Cabinet & Air System Parts List

REF	PART #	DESCRIPTION
401	P9983401	MACHINE FRAME
402	P9983402	ACCESS DOOR RH
403	P9983403	ACCESS DOOR LH
404	P9983404	DOOR LOCK ASSEMBLY
405	P9983405	OPERATING PANEL
406	P9983406	LOAD METER
407	P9983407	POWER INDICATOR
408	P9983408	START BUTTON 250V 10A
409	P9983409	STOP BUTTON
410	P9983410	E-STOP BUTTON
411	PS47M	PHLP HD SCR M6-1 X 25
412	P9983412	PRESSURE ROLLER FRAME
413	PLW03M	LOCK WASHER 6MM
414	PCAP06M	CAP SCREW M6-1 X 25
415	P9983415	TILTING ARM
416	PSS26M	SET SCREW M5-.8 X 6
417	P9983417	EXTENSION SPRING D17.3 X 70
418	P9983418	SPRING HOOK
419	PW01M	FLAT WASHER 8MM
420	PN03M	HEX NUT M8-1.25
421	P9983421	CAPTIVE PIN
422	PR01M	EXT RETAINING RING 10MM
423	P9983423	BEARING COVER
424	P6001ZZ	BALL BEARING 6001ZZ
425	P9983425	PRESSURE ROLLER
426	P9983426	PRESSURE ROLLER SHAFT
427	P9983427	MACHINE FRAME HEX NUT M8-1.25
428	PSS42M	SET SCREW M8-1.25 X 50
429	P9983514	PLASTIC CONNECTOR L6-1/8"
430	P9983430	SWITCHING VALVE 1/8"
431	P9983431	SILENCER 1/8"
432	P9983513	PLASTIC CONNECTOR C6-1/8"
433	P9983433	LINING
434	PS49M	PHLP HD SCR M3-.5 X 5
436	PS02M	PHLP HD SCR M4-.7 X 12
437	P9983437	TOP ALUMINUM COVER
438	PS06M	PHLP HD SCR M5-.8 X 20
439	P9983439	BRASS HOSE CONNECTOR M6 X 1/4"
440	P9983440	PLATE
441	P9983441	DIAPHRAGM
441-1	P9983441-1	COMPLETE DIAPHRAGM ASSY
442	P9983442	BOTTOM ALUMINUM COVER

REF	PART #	DESCRIPTION
444	P9983444	CUP 1/4"
446	P9983518	PLASTIC CONNECTOR C6-1/8"
501	P9983501	SWITCHING VALVE
501-1	P9983501-1	SWITCHING VALVE SWITCH
502	PS12M	PHLP HD SCR M3-.5 X 6
503	PS12M	PHLP HD SCR M3-.5 X 6
504	P9983504	LIMIT SWITCH PANEL
505	P9983505	SILENCER 1/8"
506	P9983514	PLASTIC CONNECTOR L6-1/8"
507	P9983513	PLASTIC CONNECTOR C6-1/8"
508	P9962Z0002	LIMIT SWITCH CERAMIC TIP
509	P9962Z6115-1	LIMIT SWITCH W/PLASTIC TIP
510	PS50M	PHLP HD SCR M3-.5 X 12
511	PS50M	PHLP HD SCR M3-.5 X 12
512	P9983524	AIR VALVE 1/8"
513	P9983513	PLASTIC CONNECTOR C6-1/8"
514	P9983514	PLASTIC CONNECTOR L6-1/8"
515	PS52M	PHLP HD SCR M4-.7 X 20
516	P9983516	PLASTIC CONNECTOR 6Y
517	P9983517	PLASTIC CONNECTOR 6T
518	P9983518	PLASTIC CONNECTOR C6-1/8"
519	PN11	HEX NUT 3/8-24
520	P9983520	AIR EYELET OUT 3/8"
521	P9983521	BRASS NUT 3/8-24
522V2	POR0010	O-RING 10 X 2
523	P9983523	BRASS CONNECTOR 1/8" X 3/8"
524	P9983524	AIR VALVE 1/8"
525	P9983514	PLASTIC CONNECTOR L6-1/8"
526	P9983526	SOLENOID VALVE 1/8" X 220V
527	P9983527	PLASTIC CONNECTOR B6-1/8"
528	P9983514	PLASTIC CONNECTOR L6-1/8"
531	PS25M	PHLP HD SCR M4-.7 X 35
532	PN04M	HEX NUT M4-.7
533	P9983533	PRESSURE GAUGE K-1000FR2
533-1	P9983533-1	PRESSURE GAUGE BRACKET
534	P9983534	PLASTIC CONNECTOR L6-1/4"
535	P9983535	AIR COCK 1/4" X 5/16"
536	PW03M	FLAT WASHER 6MM
537	PS14M	PHLP HD SCR M6-1 X 12
538	P9983538	TENSION CYLINDER 63 X 40ST
539	P9983539	PLASTIC CONNECTOR C6-1/4"
540	P9983538	TENSION CYLINDER 63 X 40ST



Electrical Cabinet



* Optional Parts

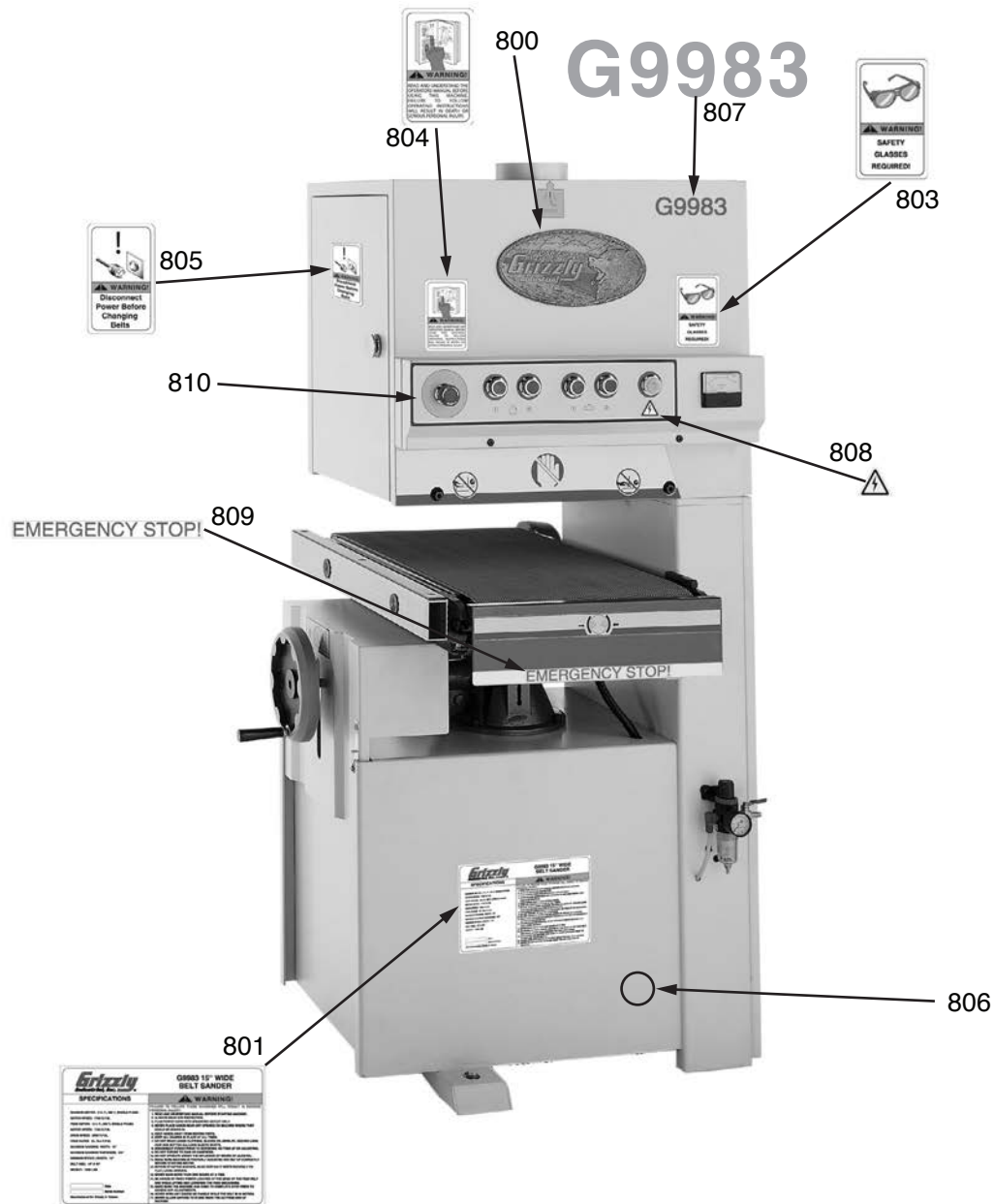


REF	PART #	DESCRIPTION
601	P9983601	CONTROL BOX
602	P9983602	DOOR LOCK ASSEMBLY
603	P9983603	ELECTRICAL MOUNTING PLATE
604V2	P9983604V2	CONTACTOR TECO CN-27 220V V2.10.08
605V2	P9983605V2	CONTACTOR TECO CU-11 220V V2.10.08
606-1V2	P9983606-1V2	OL RELAY TECO RHU-10K 1.4-2A V2.08.09
606V2	P9983606V2	CONTACTOR TECO CU-11 220V V2.10.08
608	P9983608	CURRENT TRANSFORMER
609	P9983609	TERMINAL BOARD 6P
611	P9983611	TERMINAL BOARD 5P
612	P9983612	TERMINAL BOARD 12P
617	P9983617	GROUND WIRE PANEL
618	P9983618	STRAIN RELIEF 1"
619	P9983619	STRAIN RELIEF 3/8"
620	P9983620	STRAIN RELIEF 5/16"
621	P9983621	STRAIN RELIEF 3/8"
622	P9983622	STRAIN RELIEF 3/8"
623	P9983623	STRAIN RELIEF 3/8"
624	P9983624	STRAIN RELIEF
625	PS14M	PHLP HD SCR M6-1 X 12
626	PN01M	HEX NUT M6-1
627	P9983627	OL RELAY TELE TESYS-LT47 5-60A
701	P9983701	PLASTIC COVER
702	PN03M	HEX NUT M8-1.25
703	PLW04M	LOCK WASHER 8MM
704	PW01M	FLAT WASHER 8MM

REF	PART #	DESCRIPTION
705	P9983705	TABLE SUPPORT W/SUPPORT LINING
707	PS11M	PHLP HD SCR M6-1 X 16
708	PW03M	FLAT WASHER 6MM
709	PN01M	HEX NUT M6-1
710	P9983710	RETRACTABLE ROD
711	PSS10M	SET SCREW M10-1.5 X 20
712	PN02M	HEX NUT M10-1.5
713	P9983713	ECCENTRIC SHAFT LH
714	PN27M	HEX NUT M10-1.5 LH
715	PLW06M	LOCK WASHER 10MM
716	P9983716	ECCENTRIC SHAFT RH
717	PN02M	HEX NUT M10-1.5
718	PCAP62M	CAP SCREW M10-1.5 X 12
719	PLW06M	LOCK WASHER 10MM
720	PW04M	FLAT WASHER 10MM
721	P9983721	INFEED TABLE FRAME
722	PR47M	EXT RETAINING RING 13MM
723	P9983723	ROLLER BUSHING
724	P9983724	ROLLER SHAFT
725	P9983725	CONVEYOR ROLLER
726	PRP28M	ROLL PIN 5 X 40
727	P9983727	EMERGENCY BRAKE PANEL
728	P9983728	KNOB
729	P9983729	BRAKE ROD
730	PR39M	EXT RETAINING RING 8MM
731	P9983731	COMPRESSION SPRING D8.5 X 40MM



Machine Labels



REF PART #	DESCRIPTION
800	G8589 GRIZZLY NAMEPLATE-LARGE
801	P9983801 MACHINE ID LABEL
803	PLABEL-11 SAFETY GLASSES 2W X 3.3H V1
804	PLABEL-12A READ MANUAL 2W X 3.3H V2.07.05
805	PLABEL-13 DISCONNECT SANDER 220V 2W X 3.3H

REF PART #	DESCRIPTION
806	PPAINT-11 GRIZZLY PUTTY TOUCH-UP PAINT
807	P9983807 MODEL NO LABEL
808	PLABEL-14 ELECTRICITY LABEL
809	P9983809 EMERGENCY STOP LABEL
810	P9983810 CONTROL PANEL LABEL

WARNING

Safety labels help reduce the risk of serious injury caused by machine hazards. If any label comes off or becomes unreadable, the owner of this machine **MUST** replace it in the original location before resuming operations. For replacements, contact (800) 523-4777 or www.grizzly.com.

