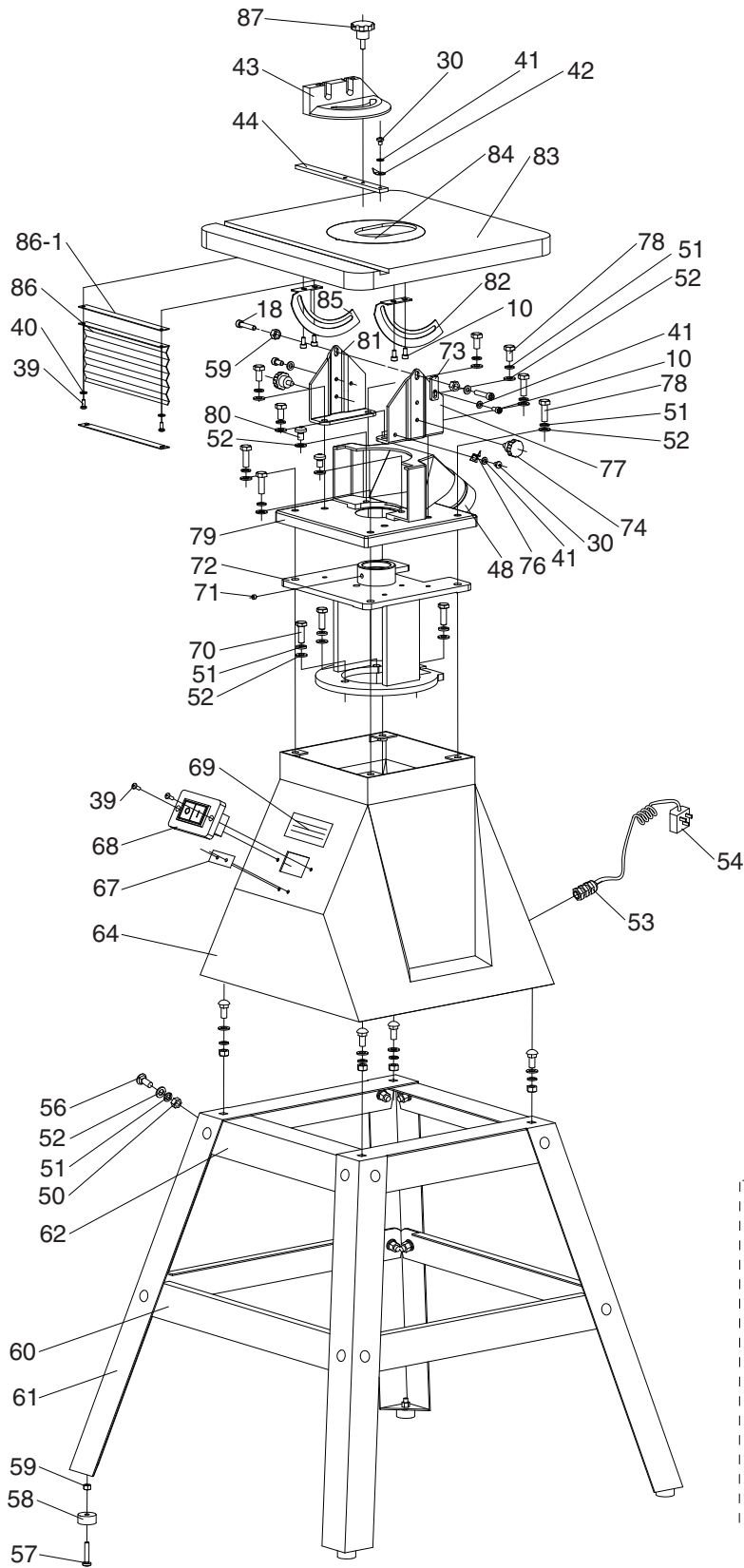
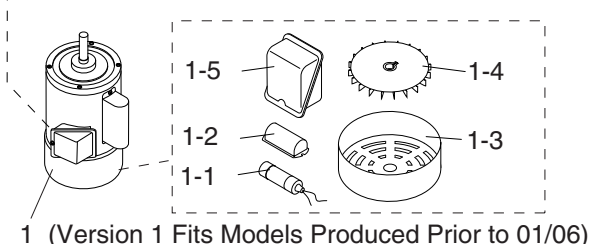
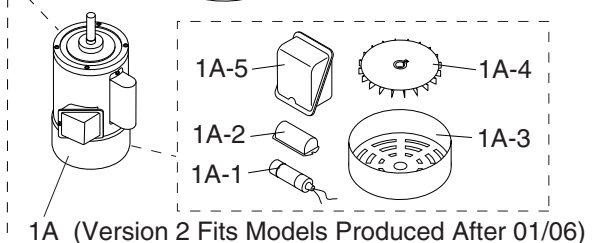
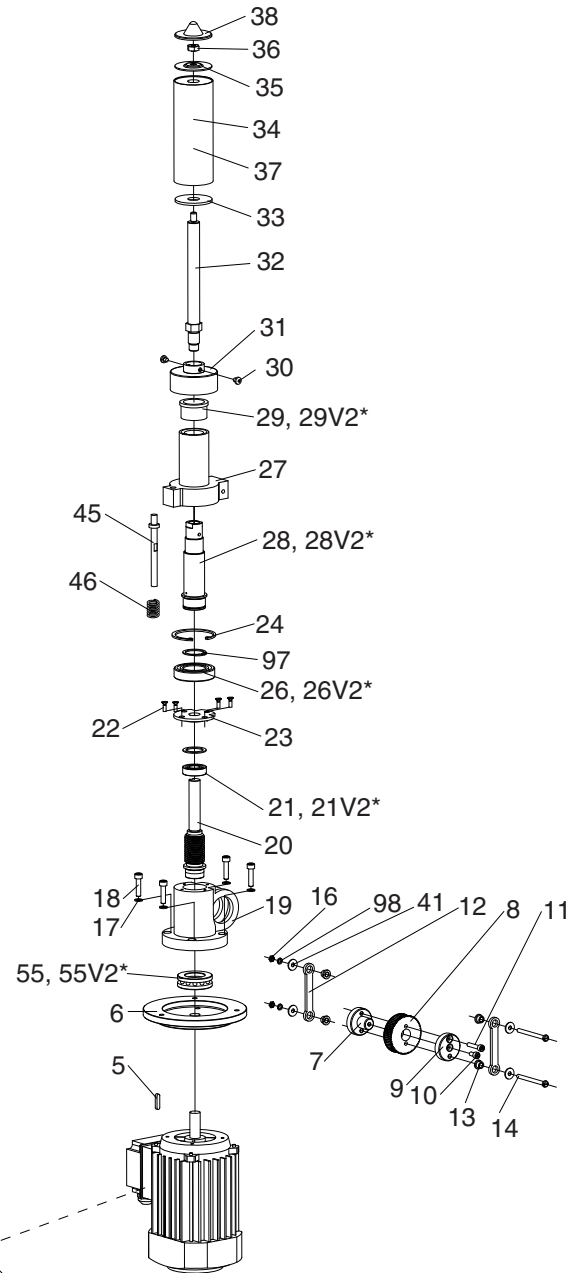


Parts Breakdown



* V2 Fits Models Produced After 12/01



Parts List

REF	PART #	DESCRIPTION
5	P9922005	FLAT KEY 100 x 356 x 2
6	P9922006	CONNECTION PLATE
7	P9922007	WORM GEAR SHAFT
8	P9922008	PINION GEAR
9	P9922009	END COVER OF WORM GEAR
10	PB96M	HEX BOLT M5-.8 X 10
11	PB149M	HEX BOLT M5-.8 X 25
12	P9922012	CONNECTING BAR
13	P9922013	FLANGE BUSHING
14	P9922014	SPECIAL SCREW 110 x 88 x 78
16	PN06M	HEX NUT M5-.8
17	PN03M	HEX NUT M8-1.25
18	PB10M	HEX BOLT M6-1 X 25
19	P9922019	BEARING BASE
20	P9922020	WORM SHAFT
21	P9922021	BALL BEARING 102
21V2	P6002ZZ	BALL BEARING 6002ZZ V2.12.01
22	PCAP17M	CAP SCREW M4-.7 X 10
23	P9922023	COVER
24	PR26M	INT RETAINING RING 52MM
26	P9922026	BEARING 80106
26V2	P6006ZZ	BALL BEARING 6006ZZ V2.12.01
27	P9922027	SPINDLE SLEEVE STABILIZER
28	P9922028	SPINDLE
28V2	P9922028V2	SPINDLE V2.12.01
29	P9922029	NEEDLE BEARING 4084103
29V2	P9922029V2	BABBITT BEARING V2.12.01
30	PCAP97M	CAP SCREW M5-.8 X 6
31	P9922031	DUST COVER
32	P9922032	SANDING DRUM SHAFT
33	P9922033	SPECIAL WASHER 50 x 23.25
34	P9922034	SANDING DRUM
35	P9922035	PAD
36	P9922036	SPECIAL NUT 206 x 206 x 12
37	P9922037	SANDING SLEEVE
38	P9922038	TOP CAP
39	PCAP17M	CAP SCREW M4-.7 X 10
40	PW05M	FLAT WASHER 4MM
41	PW02M	FLAT WASHER 5MM
42	P9922042	MITER ANGLE POINTER
43	P9922043	MITER GAUGE
44	P9922044	LOCK PIN
45	P9922045	SHAFT
46	P9922046	COMPRESSION SPRING 190 X 16 X 5.5
48	P9922048	DUST COLLECTOR NOZZLE
50	PN03M	HEX NUT M8-1.25
51	PLW04M	LOCK WASHER 8MM
52	PW04M	FLAT WASHER 10MM
53	P9922053	WIRE STRAIN RELIEF
54	P9922054	POWER CORD 16-GAUGE 3-WIRE 73"
55	P9922055	BEARING 8205

REF	PART #	DESCRIPTION
55V2	P6005ZZ	BALL BEARING 6005ZZ V2.12.01
56	PCAP11M	CAP SCREW M8-1.25 X 16
57	PS62M	PHLP HD SCR M6-1 X 30
58	P9922058	RUBBER PAD
59	PN01M	HEX NUT M6-1
60	P9922060	LOWER BRACE
61	P9922061	LEG
62	P9922062	UPPER BRACE
64	P9922064	MACHINE BASE
67	P9922067	GROUND LABEL
68	PSW06	PADDLE SWITCH 110/220V WITH KEY
69	P9922069	MACHINE ID LABEL
70	PB07M	HEX BOLT M8-1.25 X 25
71	P9922071	BALL OILER
72	P9922072	BASE PLATE
73	P9922073	LOCK BLOCK
74	P9922074	KNOB M6-1 X 10
75	PW03M	FLAT WASHER 6MM
76	P9922076	TABLE TILT POINTER
77	P9922077	RIGHT BRACKET
78	PB03M	HEX BOLT M8-1.25 X 16
79	P9922079	FACEPLATE
80	PB06M	HEX BOLT M8-1.25 X 12
81	P9922081	LEFT BRACKET
82	P9922082	ANGLE BRACKET W/GAUGE
83	P9922083	WORK TABLE
84	P9922084	TABLE INSERT
85	P9922085	ANGLE BRACKET W/O GAUGE
86	P9922086	DUST COVER
86-1	P9922086-1	DUST COVER BRACKET
87	P9922087	MITER GAUGE KNOB
97	P9922097	SPACER
98	PLW01M	LOCK WASHER 5MM

VER. 1—MODELS PRODUCED BEFORE 01/2006

REF	PART #	DESCRIPTION
1	P9922001	FACE MOUNT MOTOR 1/2 HP V1.11.00
1-1	P9922001-1	450 V CAPACITOR V1.11.00
1-2	P9922001-2	CAPACITOR COVER V1.11.00
1-3	P9922001-3	MOTOR FAN COVER V1.11.00
1-4	P9922001-4	MOTOR FAN V1.11.00
1-5	P9922001-5	JUNCTION BOX V1.11.00

VER. 2—MODELS PRODUCED AFTER 01/2006

REF	PART #	DESCRIPTION
1A	P9922001A	FACE MOUNT MOTOR 1/2HP V2.01.06
1A-1	PC250A	S CAPACITOR 250MFD 125VAC V2.01.06
1A-2	P9922001A-2	CAPACITOR COVER V2.01.06
1A-3	P9922001A-3	MOTOR FAN COVER V2.01.06
1A-4	P9922001A-4	MOTOR FAN V2.01.06
1A-5	P9922001A-5	JUNCTION BOX V2.01.06

