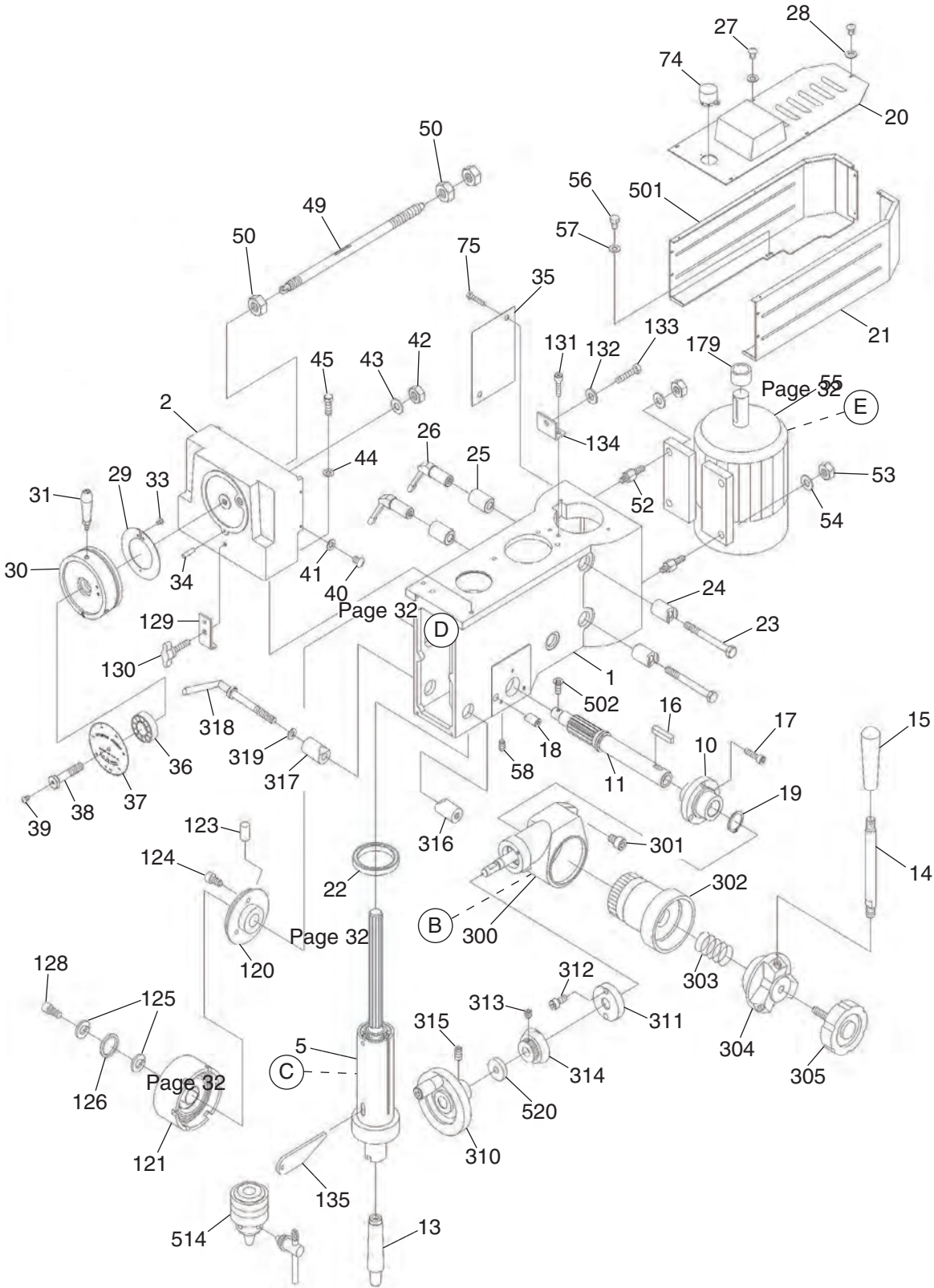
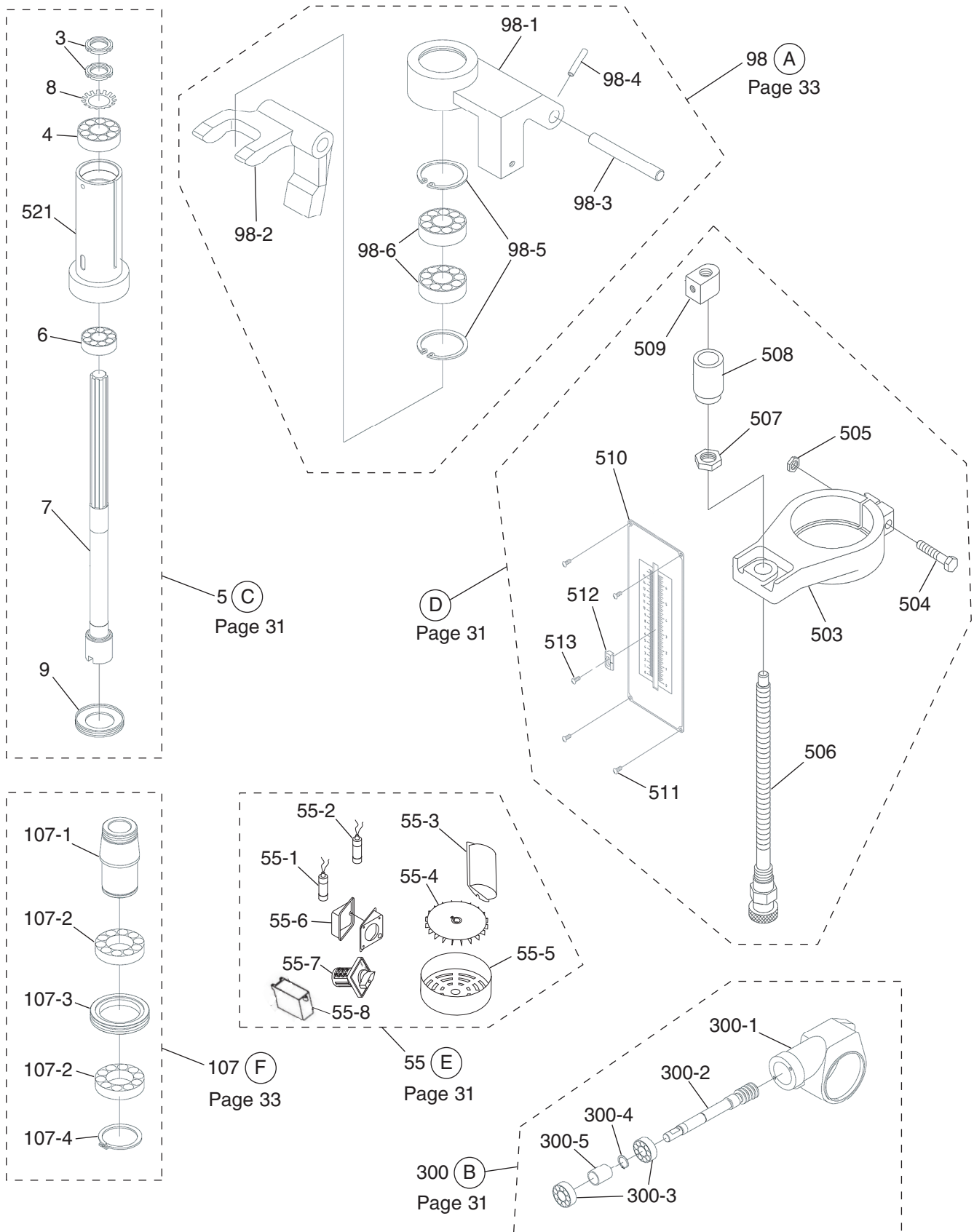


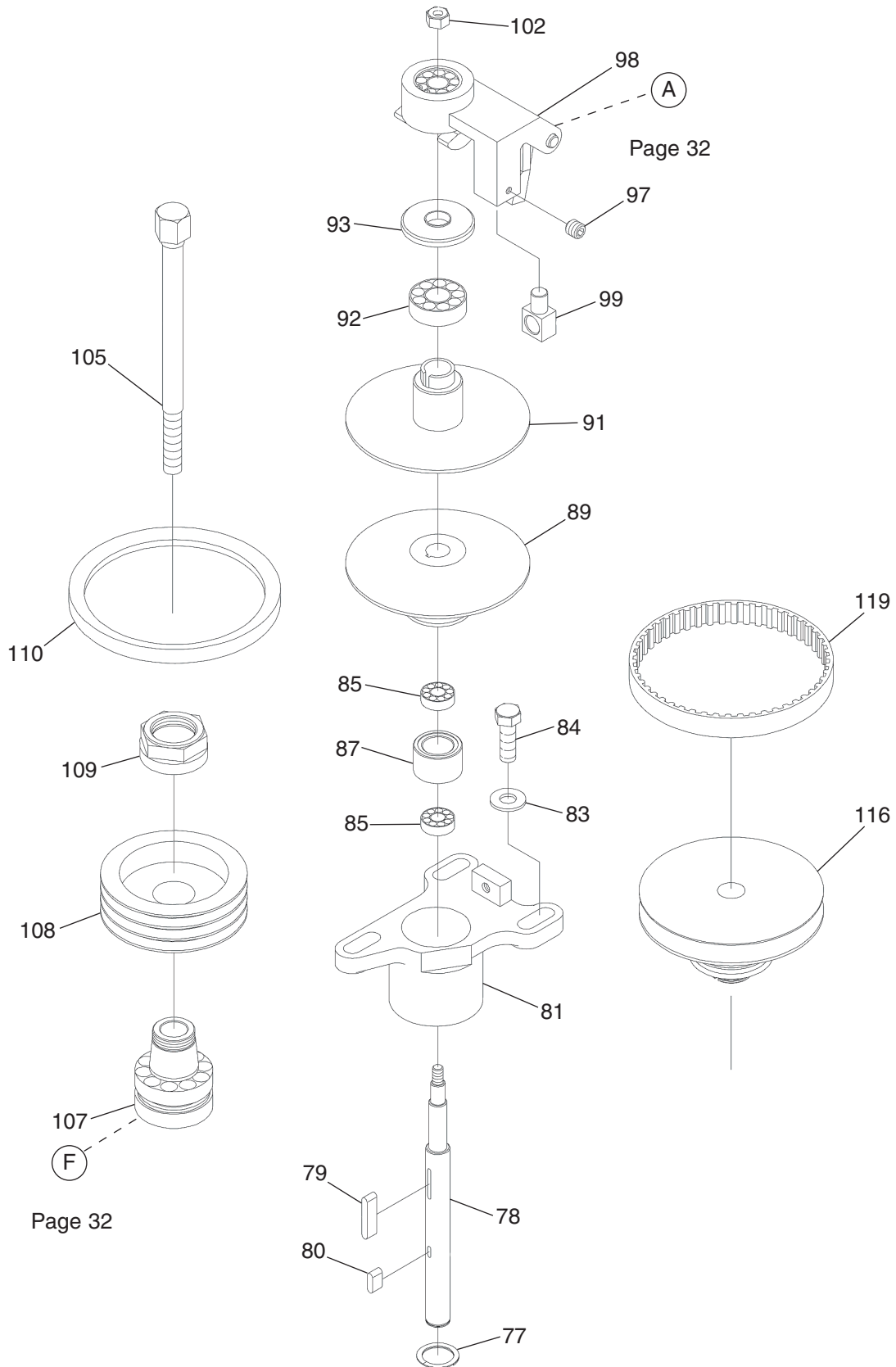
Headstock Parts Breakdown



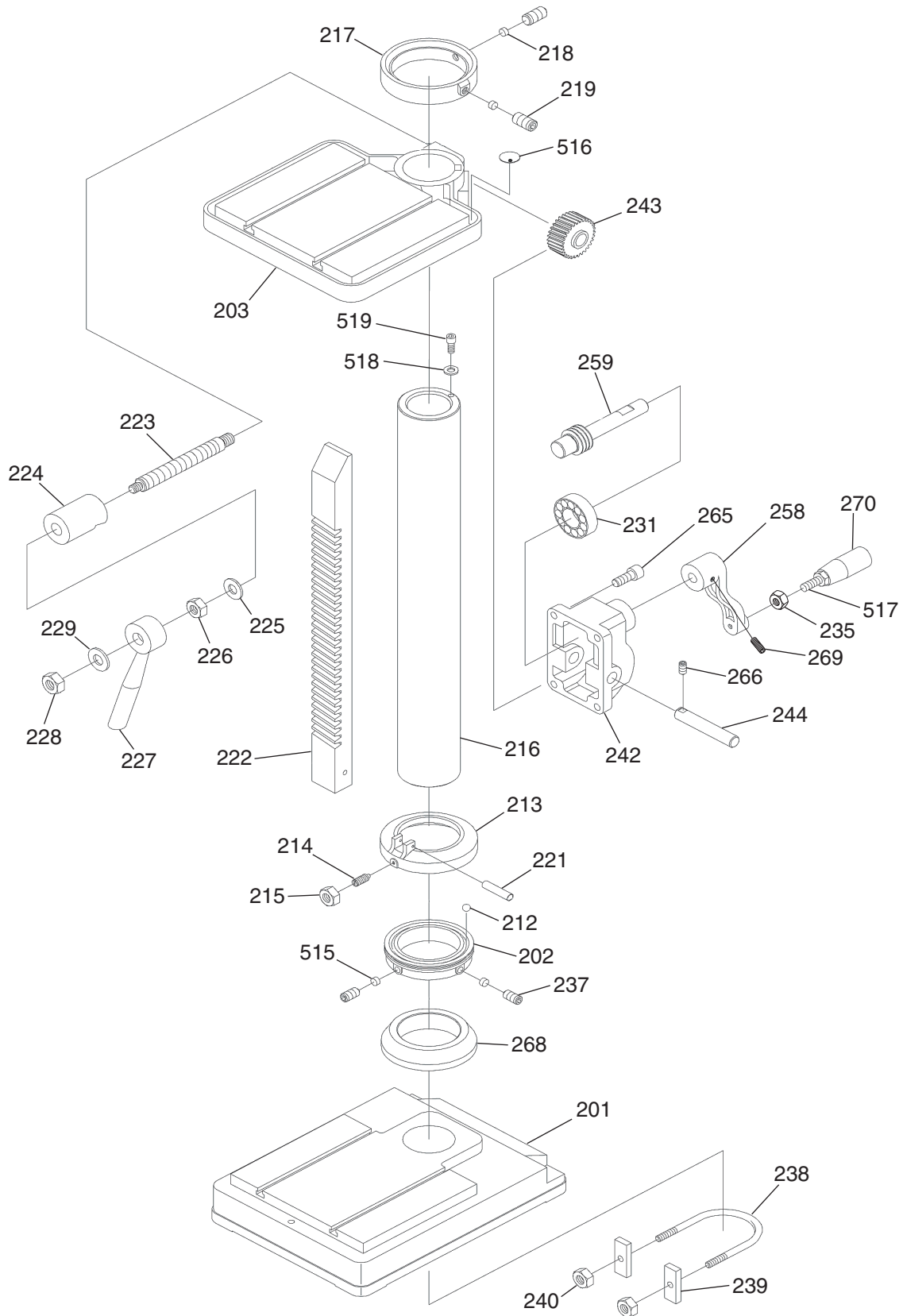
Headstock Components Parts Breakdown



Variable Speed Parts Breakdown



Base Parts Breakdown



Parts List

REF	PART #	DESCRIPTION
1	P9749001	HEAD BODY
2	P9749002	SPINDLE COVER
3	P9749003	BEARING NUT
4	P6206	BALL BEARING 6206ZZ
5	P9749005	QUILL ASSEMBLY
6	P30207	TAPERED ROLLER BEARING 30207
7	P9749007	SPINDLE SHAFT
8	P9749008	BEARING WASHER
9	P9749009	BEARING CAP
10	P9749010	PINION SUPPORT
11	P9749011	PINION SHAFT
13	P9749013	MT3 3/8-16 CHUCK ARBOR
14	P9749014	HANDLE ROD
15	P9749015	HANDLE KNOB
16	PK25M	KEY 7 X 7 X 20
17	PSB05	CAP SCREW 1/4-20 X 3/4
18	P9749018	PIN
19	PR62M	EXT RETAINING RING 42MM
20	P9749020	HEAD COVER UPPER
21	P9749021	HEAD COVER RIGHT
22	P9749022	RUBBER FLANGE
23	P9749023	HEX BOLT 1/2-13 X 5
24	P9749024	HEAD LOCK
25	P9749025	FIXED TIGHT COLLAR
26	P9749026	LOCK HANDLE
27	PS05M	PHLP HD SCR M5-.8 x 8
28	PW02M	FLAT WASHER 5MM
29	P9749029	CAM SPRING
30	P9749030	HUB
31	P9749031	HANDLE
33	PS06	PHLP HD SCR 10-24 X 3/8
34	PRP03M	ROLL PIN 5 X 20
35	P9749035	PLATE
36	P51101	THRUST BEARING 51101
37	P9749037	SPEED CHART
38	P9749038	SPECIAL HEX BOLT
39	PS04	PHLP HD SCR 1/4-20 X 1/2
40	PS05M	PHLP HD SCR M5-.8 x 8
41	PW02M	FLAT WASHER 5MM
42	PN09M	HEX NUT M12-1.75
43	PW06M	FLAT WASHER 12MM
44	PW04	FLAT WASHER 7/16
45	PB90	HEX BOLT 7/16-14 X 1-1/4
49	P9749049	PUSH ROD TUBE
50	PN09	HEX NUT 5/8-18
52	P9749052	PIVOT SHAFT
53	PN08	HEX NUT 3/8-16
54	PW02	FLAT WASHER 3/8
55	P9749055	1-1/2HP 110V/220V 1PH MOTOR
55-1	P9749055-1	CAPACITOR 50MFD 250VAC
55-2	P9749055-2	START CAP 400MFD 125VAC

REF	PART #	DESCRIPTION
55-3	P9749055-3	CAPACITOR COVER
55-4	P9749055-4	MOTOR FAN
55-5	P9749055-5	MOTOR FAN COVER
55-6	P9749055-6	MOTOR JUNCTION BOX
55-7	P9749055-7	POWER SWITCH
55-8	P9749055-8	SWITCH HOUSING
56	PB09	HEX BOLT 5/16-18 X 1/2
57	PW07	FLAT WASHER 5/16
58	PSS06	SET SCREW 1/4-20 X 3/4
74	P9749074	SPINDLE COVER
75	PB09	HEX BOLT 5/16-18 X 1/2
77	PR11M	EXT RETAINING RING 25MM
78	P9749078	SHAFT
79	P9749079	KEY 5 X 10 X 38
80	PK06M	KEY 5 X 5 X 10
81	P9749081	BEARING HOUSING
83	PW04	FLAT WASHER 7/16
84	PB90	HEX BOLT 7/16-14 X 1-1/4
85	P6205	BALL BEARING 6205ZZ
87	P9749087	SPACER RING
89	P9749089	LOWER VS PULLEY
91	P9749091	UPPER VS PULLEY
92	P6207	BALL BEARING 6207ZZ
93	P9749093	BEARING CAP
97	PSS17	SET SCREW 5/16-18 X 5/16
98	P9749098	SPEED CONTROL ASSY
98-1	P9749098-1	SPEED CONTROL HOUSING
98-2	P9749098-2	SPEED CONTROL FORK
98-3	P9749098-3	HINGE PIN
98-4	PRP16M	ROLL PIN 3 X 25
98-5	PR24M	INT RETAINING RING 42MM
98-6	P9749098-6	BALL BEARING 6302ZZ
99	P9749099	SUPPORT SWIVEL
102	PN10	HEX NUT 7/16-20
105	P9749105	DRAWBAR MT3 3/8
107	P9749107	SPINDLE TAPER ASSY
107-1	P9749107-1	SPINDLE TAPER SLEEVE
107-2	P6009	BALL BEARING 6009ZZ
107-3	P9749107-3	BEARING SPACER SLEEVE
107-4	PR56M	EXT RETAINING RING 45MM
108	P9749108	SPINDLE PULLEY
109	P9749109	SPINDLE LOCKNUT
110	PVA25	V-BELT A-25 4L250
116	P9749116	UPPER MOTOR PULLEY
119	P9749119	1926v-427 TIMING BELT
120	P9749120	SPRING BASE
121	P9749121	SPRING ASSEMBLY
123	P9749123	COTTER PIN 3 X 12
124	PS08	PHLP HD SCR 10-24 X 3/4
125	PLW02	LOCK WASHER 1/4



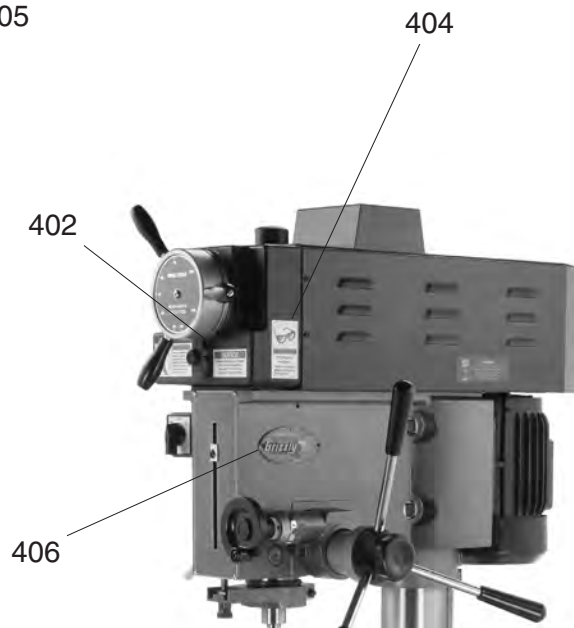
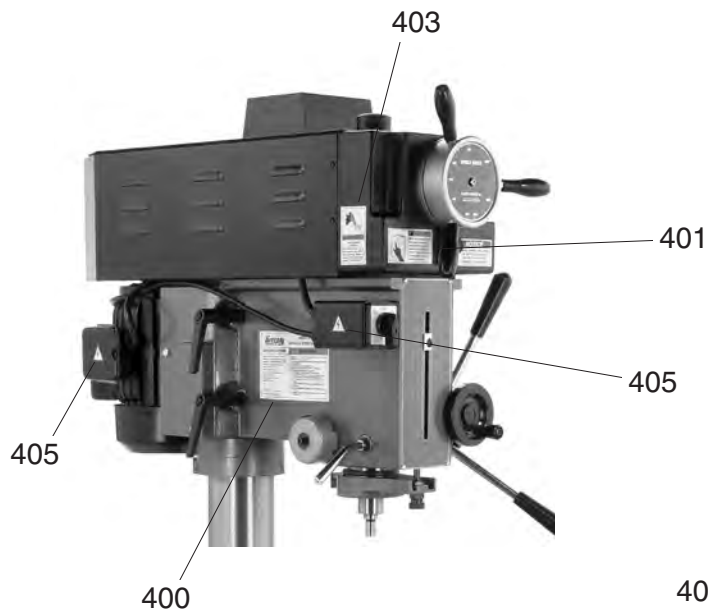
Parts List

REF	PART #	DESCRIPTION
126	PW06	FLAT WASHER 1/4
128	PSB01	CAP SCREW 1/4-20 X 5/8
129	P9749129	LOCKING PLATE
130	P9749130	T-SCREW 5/16-18 X 1
131	PB02	HEX BOLT 1/4-20 X 5/8
132	PW07	FLAT WASHER 5/16
133	PB11	HEX BOLT 5/16-18 X 1-1/2
134	P9749134	SUPPORT
135	P9749135	DRIFT KEY
179	P9749179	BUSHING
201	P9749201	BASE
202	P9749202	BEARING COVER
203	P9749203	SQUARE WORKING TABLE
212	P9749212	STEEL BALL
213	P9749213	BEARING COVER
214	P9749214	SPECIAL SCREW
215	PN02	HEX NUT 5/16-18
216	P9749216	COLUMN BASE
217	P9749217	HEAD BODY BASE
218	P9749218	BUSHING
219	P9749219	SET SCREW 1/2-13 X 5/8
221	PRP82M	ROLL PIN 5 X 38
222	P9749222	RACK
223	P9749223	SPECIAL LOCK BOLT
224	P9749224	LOCK BLOCK
225	PW14	FLAT WASHER 5/8
226	PN04	HEX NUT 5/8-11
227	P9749227	LEVER HANDLE
228	PN08	HEX NUT 3/8-16
229	PW02	FLAT WASHER 3/8
231	P51103	THRUST BEARING 51103
235	PN08	HEX NUT 3/8-16
237	P9749237	SET SCREW 1/2-13 x 5/8
238	P9749238	U-BOLT
239	P9749239	FIXED BLOCK
240	PN06	HEX NUT 1/2-12
242	P9749242	ELEVATION BRACKET
243	P9749243	TRANSMISSION GEAR
244	P9749244	SHAFT
258	P9749258	HEAD HANDLE
259	P9749259	WORM SHAFT
265	PSB03	CAP SCREW 5/16-18 X 1
266	PSS03	SET SCREW 1/4-20 X 3/8
268	P9749268	BUSHING BRACKET

REF	PART #	DESCRIPTION
269	PSS17	SET SCREW 5/16-18 X 5/16
270	P9749270	HANDLE
300	P9749300	FEED ASSEMBLY
300-1	P9749300-1	FEED HOUSING
300-2	P9749300-2	WORM SHAFT
300-3	P6202	BALL BEARING 6202ZZ
300-4	PR05M	EXT RETAINING RING 15MM
300-5	P9749300-5	BEARING SPACER
301	PSB07	CAP SCREW 5/16-18 X 3/4
302	P9749302	TRANSMISSION GEAR
303	P9749303	COMPRESSION SPRING
304	P9749304	UP DOWN HANDLE
305	P9749305	LOCK BOLT WITH KNOB
310	P9749310	HAND WHEEL
311	P9749311	WORM COVER
312	PSB02	CAP SCREW 10-24 X 3/8
313	PSS04	SET SCREW 1/4-20 X 5/16
314	P9749314	ADJUSTING INDICATOR
315	PSS17	SET SCREW 5/16-18 X 5/16
316	P9749316	FIXED TIGHT COLLAR
317	P9749317	FIXED TIGHT COLLAR
318	P9749318	HANDLE ROD
319	PW01	FLAT WASHER 1/2
501	P9749501	HEAD COVER LEFT
502	PFH01	FLAT HD SCR 10-24 X 3/8
503	P9749503	ELEVATION BASE
504	PB06	HEX BOLT 5/16-18 X 2
505	PN02	HEX NUT 5/16-18
506	P9749506	ELEVATION SHAFT
507	P9749507	ELEVATION NUT
508	P9749508	BUSHING
509	P9749509	DEPTH INDICATOR BRACKET
510	P9749510	DEPTH SCALE
511	PS18	PHLP HD SCR 10-24 X 1/4
512	P9749512	DEPTH INDICATOR
513	PS18	PHLP HD SCR 10-24 X 1/4
514	P9749514	CHUCK W/KEY
515	P9749515	BUSHING
516	P9749516	FILTER
517	P9749517	CAP SCREW 3/8-16 X 3-1/2
518	PW03M	FLAT WASHER 6MM
519	PSB68M	CAP SCREW M6-1 X 8
520	P9749520	BUSHING
521	P9749521	QUILL HOUSING



Label Placement



REF	PART #	DESCRIPTION
400	P9749400	MACHINE ID LABEL
401	P9749401	READ MANUAL-HORIZONTAL
402	P9749402	SPEED NOTICE LABEL
403	P9749403	ENTANGLEMENT LABEL

REF	PART #	DESCRIPTION
404	PLABEL-11	SAFETY GLASSES 2" X 3 5/16"
405	PLABEL-14	ELECTRICITY LABEL
406	PLABEL-10	GRIZZLY NAME PLATE
407	PPAINT-1	GRIZZLY GREEN PAINT

WARNING

Safety labels warn about machine hazards and ways to prevent injury. The owner of this machine **MUST** maintain the original location and readability of the labels on the machine. If any label is removed or becomes unreadable, **REPLACE** that label before using the machine again. Contact Grizzly at (800) 523-4777 or www.grizzly.com to order new labels.

