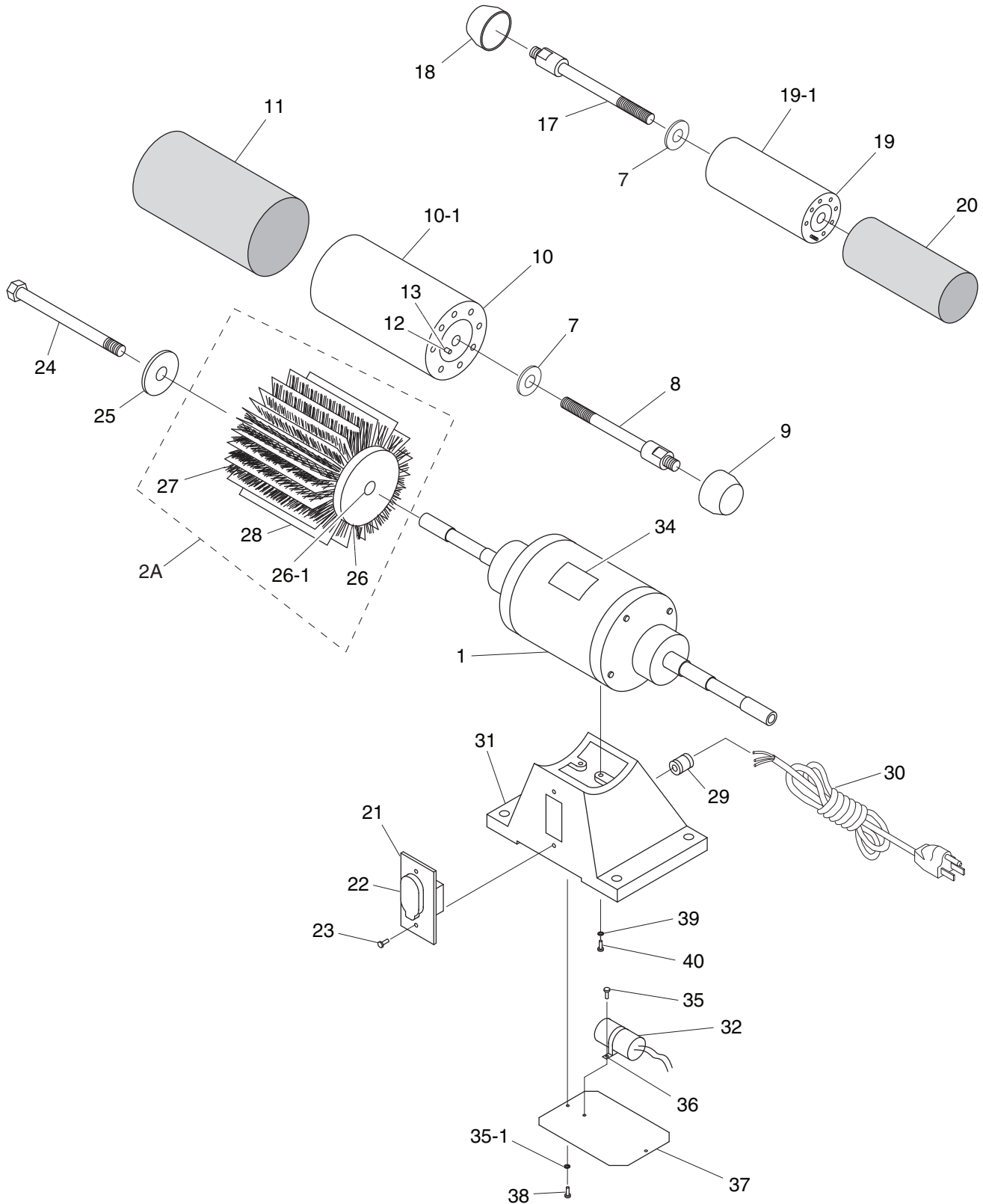


SECTION 9: PARTS

Parts Breakdown



Parts List

REF	PART #	DESCRIPTION
1	P8749001	MOTOR 1HP 110V 60HZ
2A	P8749002A	COMPLETE FLAP SANDER ASSY
7	PW07	FLAT WASHER 5/16
8	P8749008	ARBOR BOLT RH M12-1.75 X 22
9	P8749009	END CAP RH
10	P8749010	SANDING DRUM ASSY 4-3/4 X 8
10-1	P8749010-1	DRUM BLADDER 4-3/4 X 8
11	G9211	SANDING SLEEVE 4-3/4 X 8 120G
12	P8749012	AIR VALVE
13	P8749013	VALVE CAP
17	P8749017	ARBOR BOLT LH M12-1.75 X 22
18	P8749018	END CAP LH
19	P8749019	SANDING DRUM ASSY 3-1/4 X 8
19-1	P8749019-1	DRUM BLADDER 3-1/2 X 8
20	G9199	SANDING SLEEVE 3-1/4 X 8
21	P8749021	SWITCH MOUNTING PLATE
22	PSW06	PADDLE SWITCH 110V WITH KEY
23	PS38M	PHLP HD SCR M4-.7 X 10

REF	PART #	DESCRIPTION
24	P8749024	LOCK BOLT M12-1.75 X 135 LH
25	P8749025	FLANGE WASHER 30MM
26	P8749026	FLAP SANDER END CAP
26-1	P8749026-1	FLAP SANDER SHAFT
27	P8749027	BRUSH
28	P8749028	SANDPAPER 4-1/2 X 6 120 GRIT
29	P8749029	STRAIN RELIEF
30	PWRCRD100L	POWER CORD 110V W/5-15 PLUG
31	P8749031	BASE
32	P8749032	S CAPACITOR 400M 125V 3 X 1-3/8
34	P8749034	MACHINE ID LABEL
35	PS07M	PHLP HD SCR M4-.7 X 8
35-1	PW05M	FLAT WASHER 4MM
36	P8749036	CAPACITOR BRACKET
37	P8749037	COVER PLATE
38	PS07M	PHLP HD SCR M4-.7 X 8
39	PW01M	FLAT WASHER 8MM
40	PB26M	HEX BOLT M8-1.25 X 30

