

READ THIS FIRST



Model G5912Z/G7214Z/G8621

*****IMPORTANT UPDATE*****

For Machines Mfd. Since 1/17
and Owner's Manual Printed 2001

For questions or help with this product contact Tech Support at (570) 546-9663 or techsupport@grizzly.com

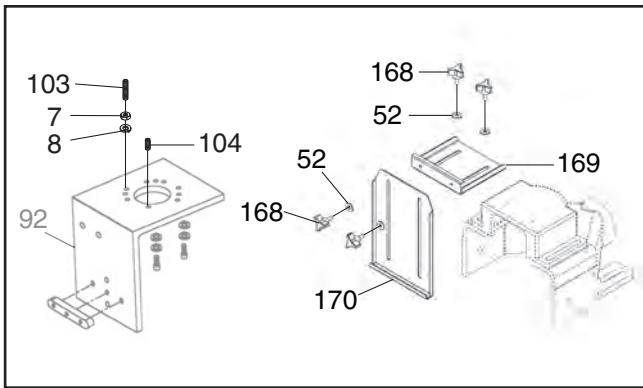
The following changes were recently made to this machine since the owner's manual was printed:

- Added an additional spindle enclosure guard.
- Changed spindle cartridge support fasteners.

Aside from this information, all other content in the owner's manual applies and **MUST** be read and understood for your own safety. **IMPORTANT: Keep this update with the owner's manual for future reference.**

For questions or help, contact our Tech Support at (570) 546-9663 or techsupport@grizzly.com.

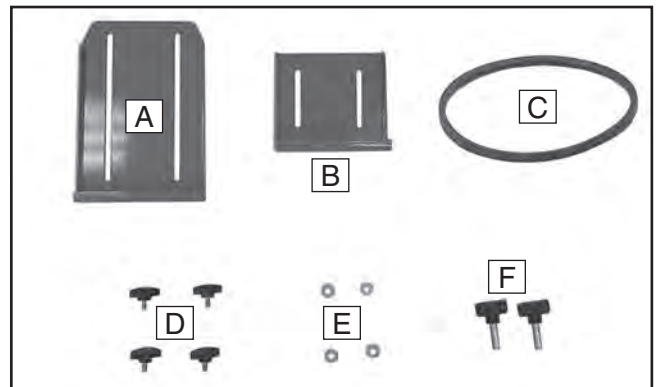
New Parts



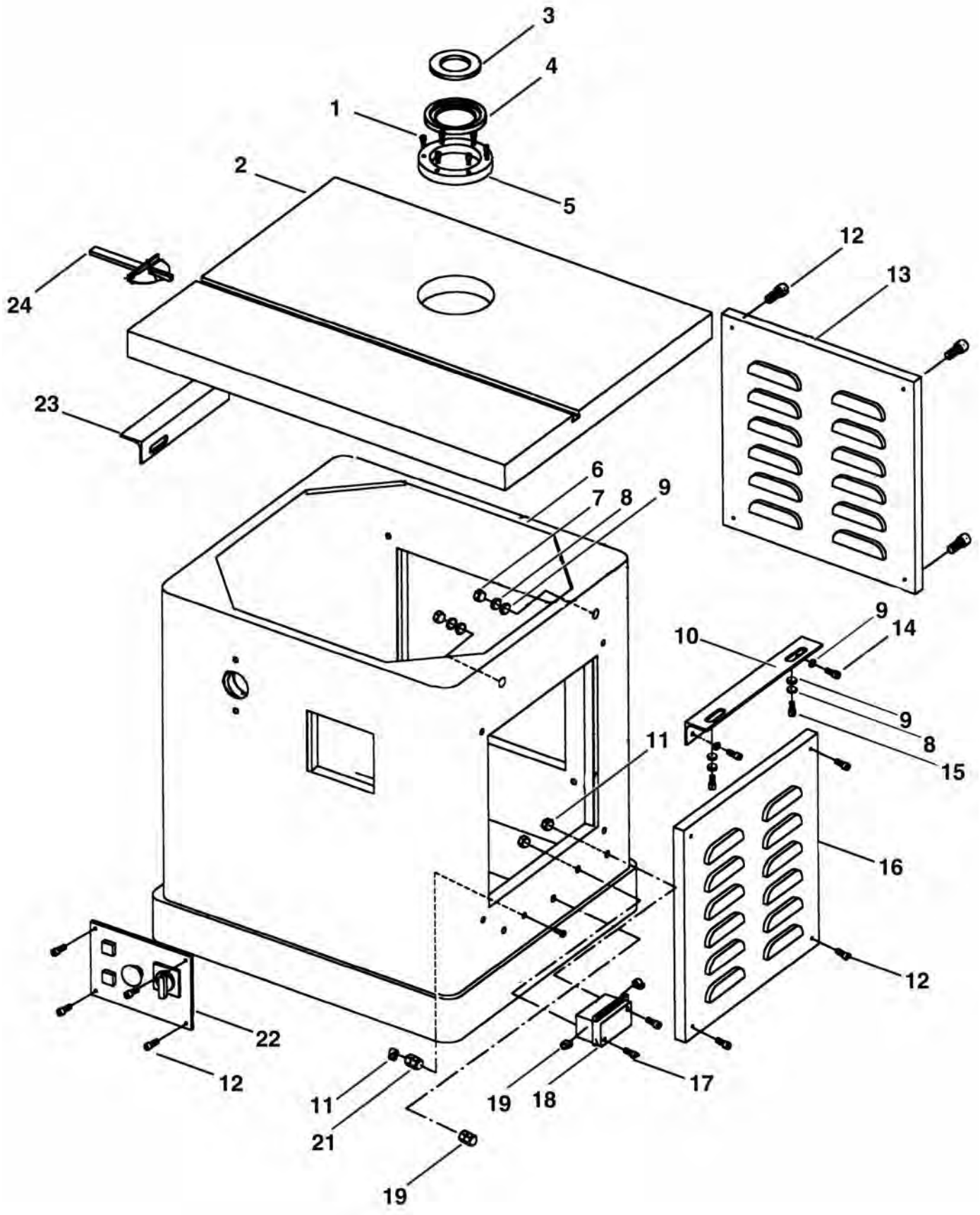
REF	PART #	DESCRIPTION
7	P5912Z007	HEX NUT 3/8-16
8	P5912Z008	LOCK WASHER 3/8
52	P5912Z052	FLAT WASHER 1/4
103	P5912Z103	SET SCREW 3/8-16 X 1
104	P5912Z104	SET SCREW 3/8-16 X 1/2
168	P5912Z168	KNOB BOLT 1/4-20 X 1/2
169	P5912Z169	FRONT GUARD EXTENSION PLATE
170	P5912Z170	FRONT SPINDLE ENCLOSURE GUARD

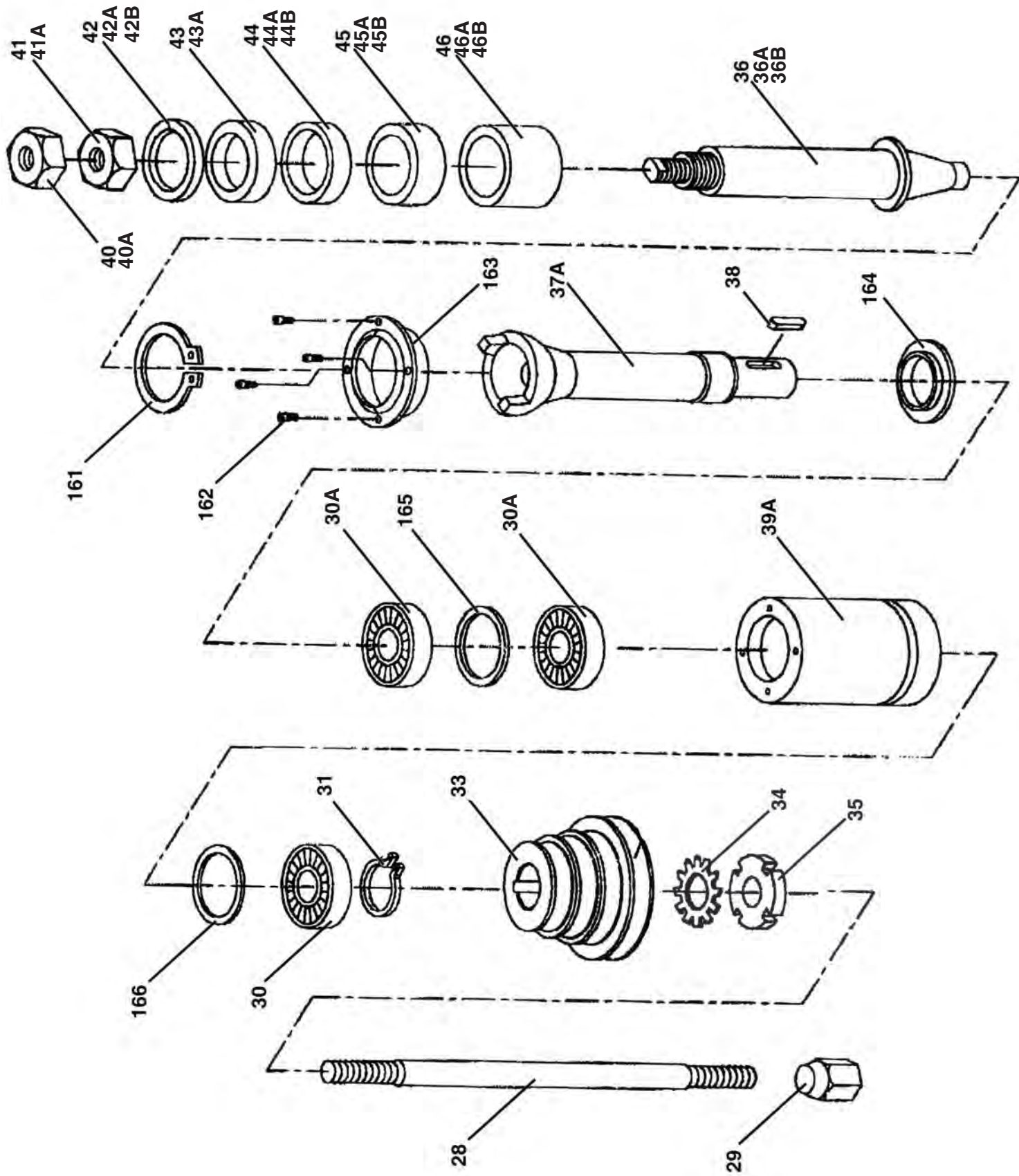
New Inventory

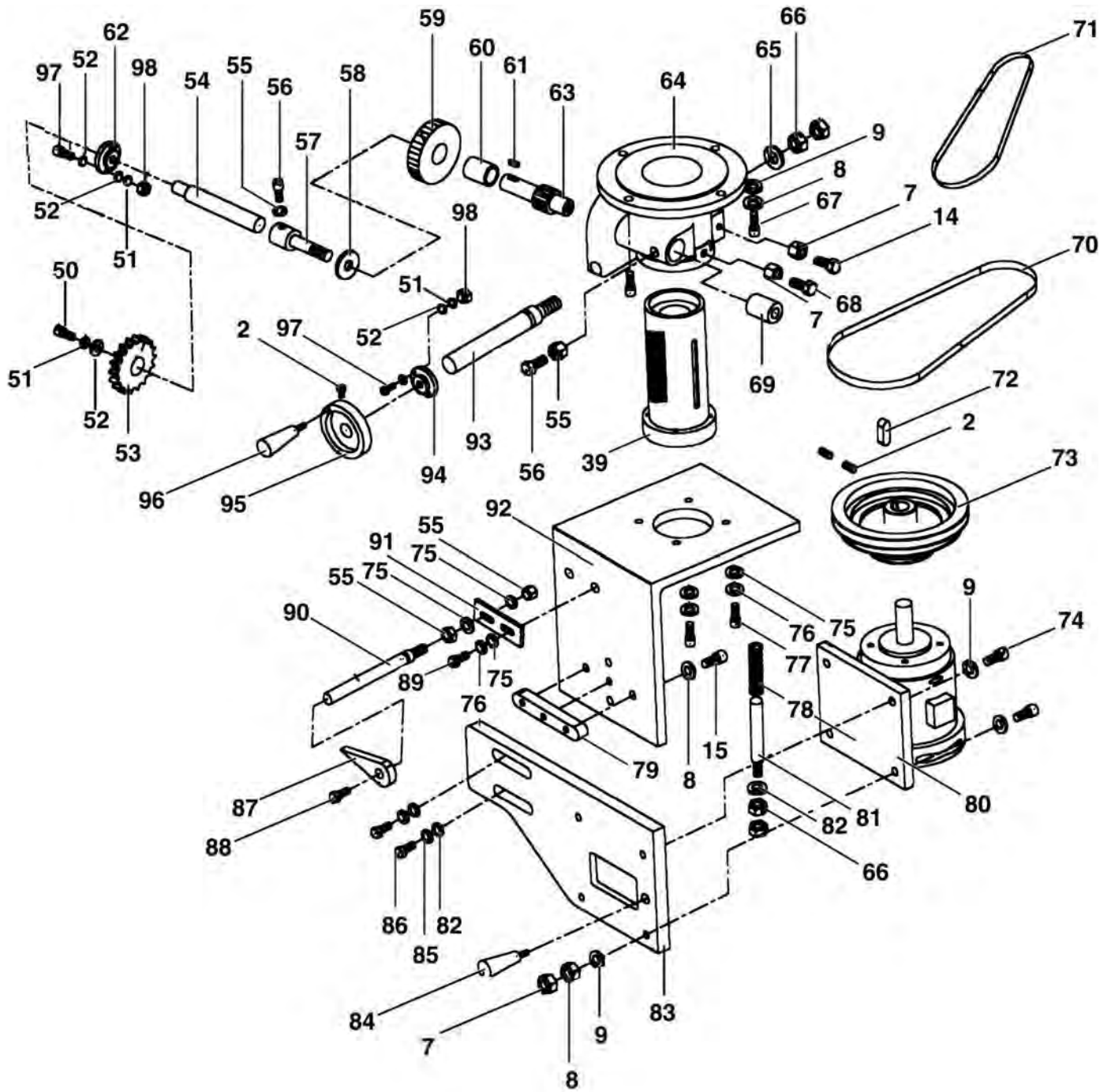
Inventory	Qty
A. Front Spindle Enclosure Guard.....	1
B. Front Guard Extension Plate.....	1
C. V-Belt A28 (G8621).....	1
D. Knob Bolts 1/4"-20 x 1/2".....	4
E. Flat Washers 1/4".....	4
F. Knob Bolts 3/8"-16 x 1" (G5912Z, G7214Z). 2	
F. Knob Bolts 3/8"-16 x 1" (G8621).....	4

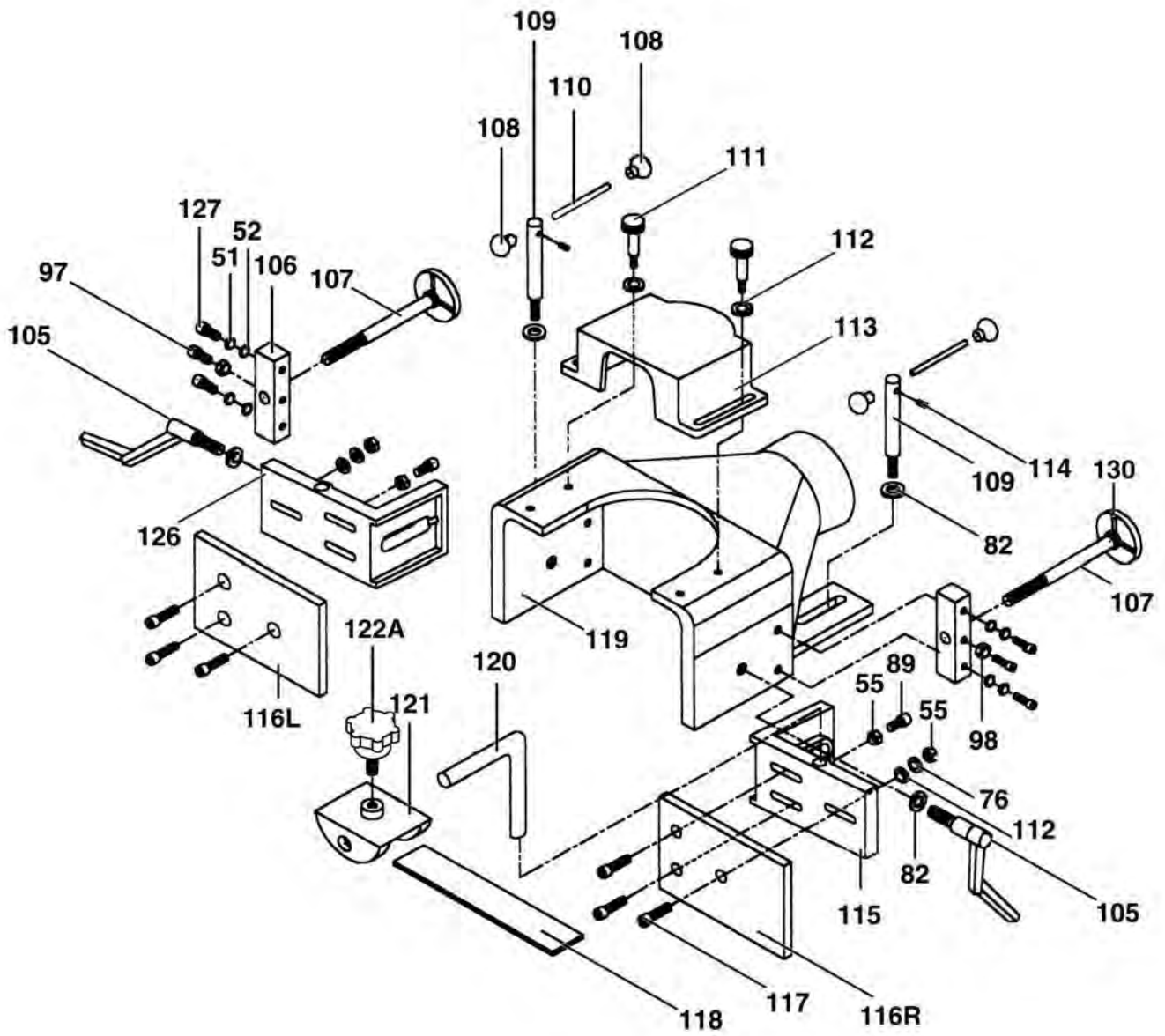


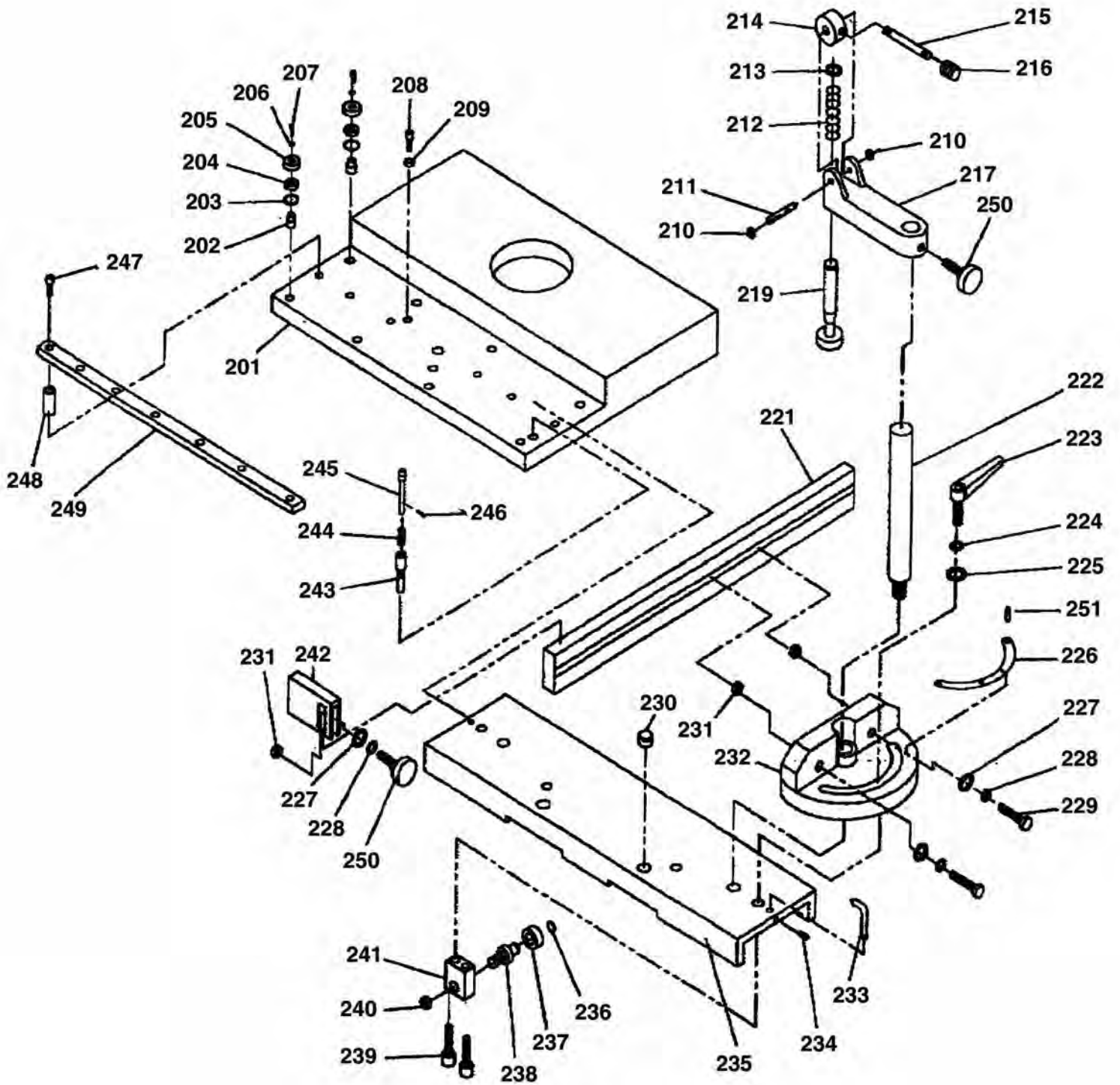
COPYRIGHT © MARCH, 2017 BY GRIZZLY INDUSTRIAL, INC.
WARNING: NO PORTION OF THIS MANUAL MAY BE REPRODUCED IN ANY SHAPE OR FORM WITHOUT THE WRITTEN APPROVAL OF GRIZZLY INDUSTRIAL, INC.
 #BL18759 PRINTED IN TAIWAN











REF	PART #	DESCRIPTION
1	P8621001	SET SCREW 5/16-24 X 5/8
3	P8621003	INSERT (SMALL) INNER
4	P8621004	INSERT (SMALL) INNER
5	P8621005	INSERT (BIG)
6	P8621006	STAND ASSY
7	P8621007	HEX NUT 3/8"-16
8	P8621008	LOCK WASHER 3/8
9	P8621009	FLAT WASHER 3/8
10	P8621010	TABLE BRACE (R)
11	P8621011	HEX NUT 10-24
12	P8621012	PHLP HD SCR 1/4-20 x 5/8
13	P8621013	REMOVABLE DUST DOOR
14	P8621014	HEX BOLT 3/8-16 X 1-1/4
15	P8621015	HEX BOLT 3/8-16 X 3/4
16	P8621016	MOTOR COVER
17	P8621017	PHLP HD SCR 10-24 X 3/4
18	P8621018	TERMINAL BOX ASSY
19	P8621019	STRAIN RELIEF
21	P8621021	STRAIN RELIEF
22	P8621022	ELECTRICAL BOX ASSY V1.06.98
22A-1	P8621022A-1	CONTACTOR NS-1/06 N.H.D.
22A-2	P8621022A-2	OVERLOAD RELAY NS-1/06 N.H.D.
22B	P8621022B	RED OFF SWITCH (SQUARE) V1.08.03
22C	P8621022C	EMERGENCY SAFETY SWITCH
22E	P8621022E	CONTACTOR
23	P8621023	TABLE BRACE (L)
24	P8621024	MITER GAUGE
28	P8621028	LOCK BOLT 3/8-11
29	P8621029	TAPER LOCK NUT
30	P8621030	BALL BEARING 6008ZZ
31	P8621031	EXT RETAINING RING 40MM
32	P8621032	INT RETAINING RING 80MM
33	P8621033	PULLEY SPINDLE
34	P8621034	STAR WASHER 30MM
35	P8621035	SPANNER NUT
36	P8621036	SPINDLE 1-1/4"
36A	P8621036A	SPINDLE 3/4"
36B	P8621036B	SPINDLE 1"
37A	P8621037A	COMPLETE CARTRIDGE ASSY
38	P8621038	KEY 7 X 7 X 40
39	P8621039	QUILL V2.03.07 8-3/4" LONG
40	P8621040	HEX NUT 3/4-16 LH (FOR 1" AND 1-1/4" SPINDLES)
40A	P8621040A	HEX NUT 5/8-18 LH (FOR 3/4" SPINDLE)
41	P8621041	HEX NUT 1-14 (FOR 1" AND 1-1/4" SPINDLES)
41A	P8621041A	HEX NUT 3/4-16 (FOR 3/4" SPINDLE)
42	P8621042	COLLAR 1-1/4" X 1/4" (1PC)
42A	P8621042A	COLLAR 1" X 1/4"
42B	P8621042B	COLLAR 3/4" X 1/4"
43	P8621043	COLLAR 1-1/4" X 3/8" (1PC)
43A	P8621043A	COLLAR 1" X 3/8"
43B	P8621043B	COLLAR 3/4" X 3/8"
44	P8621044	COLLAR 1-1/4" X 1/2" (2PC)
44A	P8621044A	COLLAR 1" X 1/2"
44B	P8621044B	COLLAR 3/4" X 1/2"

REF	PART #	DESCRIPTION
45	P8621045	COLLAR 1-1/4" X 3/4" (2PC)
45A	P8621045A	COLLAR 1" X 3/4" (2PC)
45B	P8621045B	COLLAR 3/4" X 3/4" (2PC)
46	P8621046	COLLAR 1-1/4" X 1" (2PC)
46A	P8621046A	COLLAR 1" X 1" (2PC)
46B	P8621046B	COLLAR 3/4" X 1" (2PC)
50	P8621050	HEX BOLT 1/4-20 X 5/8
51	P8621051	LOCK WASHER 1/4
52	P8621052	FLAT WASHER 1/4
53	P8621053	HANDWHEEL
54	P8621054	BAR LOCK
55	P8621055	HEX NUT 5/16"-18
56	P8621056	HEX BOLT 5/16-18 X 1
57	P8621057	SCREW LOCK
58	P8621058	WASHER GEAR
59	P8621059	GEAR
60	P8621060	COLLAR
61	P8621061	KEY 4 X 4 X 16
62	P8621062	BASE GEAR SHAFT
63	P8621063	SHAFT GEAR
64	P8621064	BASE SPINDLE
65	P8621065	FLAT WASHER 1/2
66	P8621066	HEX NUT 1/2"-13
67	P8621067	CAP SCREW 3/8-16 X 1-1/4
68	P8621068	SCREW 3/8-16 X 1-1/4
69	P8621069	COLLAR
70	P8621070	V-belt 4I300 (qty 1)
71	P8621071	V-belt 4I280 (qty 1)
72	P8621072	KEY 7 X 7 X 50
73	P8621073	MOTOR PULLEY
74	P8621074	HEX BOLT 3/8-16 X 1-1/2
75	P8621075	FLAT WASHER 5/16
76	P8621076	LOCK WASHER 5/16
77	P8621077	CAP SCREW 5/16-18 X 1
78	P8621078	SPRING 3.4 X 20.3
79	P8621079	KEY 3/8 X 3/4 X 1
80	P8621080	MOTOR 5HP 220V 1PH
81	P8621081	SHAFT
82	P8621082	FLAT WASHER 1/2
83	P8621083	MOTOR BASE
84	P8621084	KNOB
85	P8621085	LOCK WASHER 1/2
86	P8621086	HEX BOLT 1/2-12 X 3/4
87	P8621087	POINTER
88	P8621088	PHLP HD SCR 10-24 X 3/8
89	P8621089	HEX BOLT 5/16-18 X 3/4
90	P8621090	SHAFT GUIDE
91	P8621091	PLATE
92	P8621092	MOTOR PLATE
93	P8621093	SHAFT GEAR
94	P8621094	BASE GEAR SHAFT
95	P8621095	HANDWHEEL-METAL
96	P8621096	HANDLE V1.12.95

REF	PART #	DESCRIPTION
97	P8621097	HEX BOLT 1/4-20 X 1
98	P8621098	HEX NUT 1/4"-20
1000	P86211000	G5912Z MACHINE ID LABEL
1001	P86211001	GRIZZLY NAMEPLATE 8W X 3.5H
1002	P86211002	PULLEY LABEL
1003	P86211003	BELT GUARD LABEL
105	P8621105	RATCHET LOCK HANDLE METAL
106	P8621106	BRACKET SCREW GUIDE
107	P8621107	SCREW GUIDE ASSY
108	P8621108	BALL KNOB 3/8-16 (PLASTIC)
109	P8621109	SHAFT GUIDE
110	P8621110	BAR
111	P8621111	KNOB 5/16-18
112	P8621112	FLAT WASHER 5/16
113	P8621113	PLATE GUARD
114	P8621114	SET SCREW 1/4-20 X 1/4
115	P8621115	BRACKET ASSY FENCE RH
116	P8621116	FENCE WOODEN
117	P8621117	FLAT HD SCR 5/16-18 X 1-1/2
118	P8621118	HOLD DOWN PLATE
119	P8621119	GUARD/DUST HOOD
120	P8621120	BAR
121	P8621121	RETAINER (L) 5/8"
122	P8621122	LOCK HANDLE
122A	P8621122A	KNOB BOLT 10/02 3/8-16 X 1 V2.10.02
124	P8621124	RETAINER
126	P8621126	BRACKET ASSY FENCE LH
127	P8621127	HEX BOLT 1/4-20 X 1-1/2
128	P8621128	*DISCD*RESET SWITCH
129	P8621129	REVERSE LIGHT
130	P8621130	HANDLE WHEEL
161	P8621161	EXT RETAINING RING 50MM
162	P8621162	CAP SCREW M4-.7 X 10
163	P8621163	OUTER DUST COVER
164	P8621164	INNER DUST COVER
165	P8621165	ALTERNATING RING
166	P8621166	WAVY RING
201	P8621201	TABLE
202	P8621202	ECCENT PULLEY SHAFT
203	P8621203	EXT RETAINING RING 35MM
204	P8621204	BALL BEARING 620ZZ
205	P8621205	PULLEY
206	P8621206	LOCK WASHER 5/16
207	P8621207	CAP SCREW 5/16-18 X 1-1/2
208	P8621208	CAP SCREW 1/2-13 X 1-1/2
209	P8621209	HEX NUT 1/2"-13

REF	PART #	DESCRIPTION
210	P8621210	EXT RETAINING RING 8MM
211	P8621211	SHAFT
212	P8621212	SPRING HELICAL 15 X 18
213	P8621213	EXT RETAINING RING 15MM
214	P8621214	PRESS WHEEL
215	P8621215	PRESS SHAFT
216	P8621216	PLASTIC NUT 3/8-16
217	P8621217	PRESS WOOD BASE
218	P8621218	LOCK HANDLE
219	P8621219	SPRING SHAFT & BASE WITH HANDLE
221	P8621221	FENCE
222	P8621222	PUSH SHAFT
223	P8621223	HANDLE LOCK
224	P8621224	LOCK WASHER 1/2
225	P8621225	FLAT WASHER 1/2
226	P8621226	DEGREE TAG
227	P8621227	FLAT WASHER 3/8
228	P8621228	LOCK WASHER 3/8
229	P8621229	PHLP HD SCR 10-24 x 1 1/2
230	P8621230	COVER
231	P8621231	HEX NUT 3/8"-16
232	P8621232	MITER GAUGE
233	P8621233	FINGER
234	P8621234	PHLP HD SCR 10-24 X 1/4
235	P8621235	GLIDE TABLE
236	P8621236	EXT RETAINING RING 10MM
237	P8621237	BALL BEARING 6900ZZ
238	P8621238	ECCENT PULLEY SHAFT
239	P8621239	CAP SCREW 1/4-20 X 1-1/4
240	P8621240	LOCK NUT 3/8-16
241	P8621241	BEARING BASE
242	P8621242	RESIST BASE
243	P8621243	TABLE FIX SHAFT
244	P8621244	SPRING 1.2 X 10.4
245	P8621245	FIX SPRING SHAFT
246	P8621246	ROLL PIN 3 X 16
247	P8621247	CAP SCREW 1/4-20 X 1-1/2
248	P8621248	SPACER
249	P8621249	GUIDE ORBIT
250	P8621250	KNOB 3/8"
251	P8621251	PIVOT
319	P8621319	HOOD
400	P8621400	G5912Z MACHINE ID LABEL
401	P8621401	GRIZZLY NAMEPLATE 8W X 3.5H
402	P8621402	PULLEY LABEL
403	P8621403	SPEED CHANGE LABEL