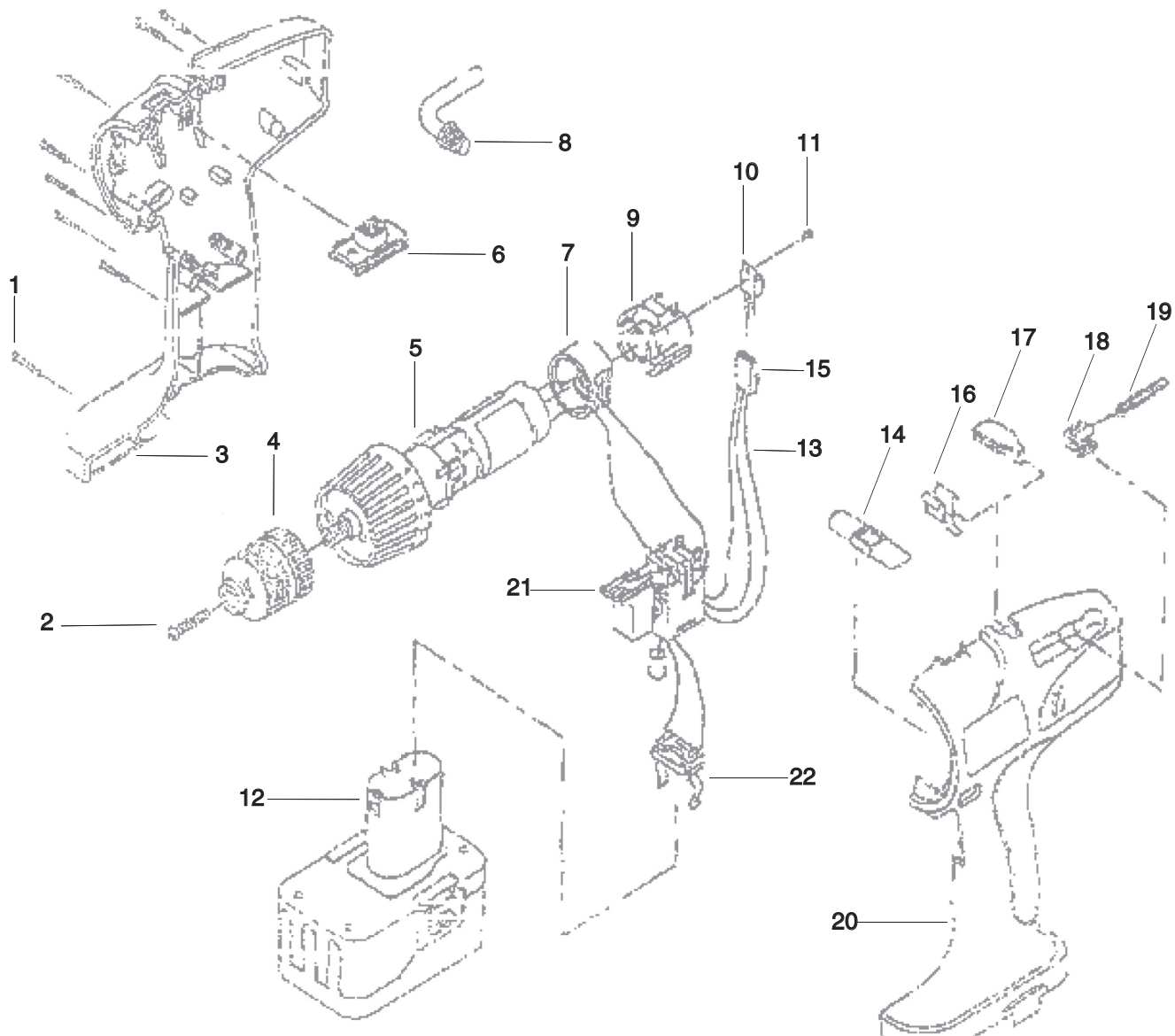


G8597 Parts Breakdown and List



REF	PART #	DESCRIPTION
1	P8597001	PHILLIPS SCREW
2	P8597002	KNOB SCREW
3	P8597003	RIGHT DRILL HOUSING
4	P8597004	CHUCK
5	P8597005	GEAR BOX
6	P8597006	SHIFT SWITCH
7	P8597007	CONNECTOR
8	P8597008	CHUCK KEY
9	P8597009	HEAT SINK
10	P8597010	VMOS
11	P8597011	SCREW

REF	PART #	DESCRIPTION
12	P8597012	BATTERY
13	P8597013	WIRE
14	P8597014	SWITCH BUTTON
15	P8597015	BUSHING
16	P8597016	KEY CLAMP
17	P8597017	CASE LATCH
18	P8597018	SCREWDRIVER BIT CLAMP
19	P8597019	SCREWDRIVER BIT
20	P8597020	LEFT DRILL HOUSING
21	P8597021	SWITCH
22	P8597022	BATTERY CLAMP