

IMPORTANT: Chuck guard MUST be installed before drill chuck!



Model G7942

IMPORTANT UPDATE

For Owner's Manual Revised April, 2005

For Machine Serial #'s 12411 & Higher

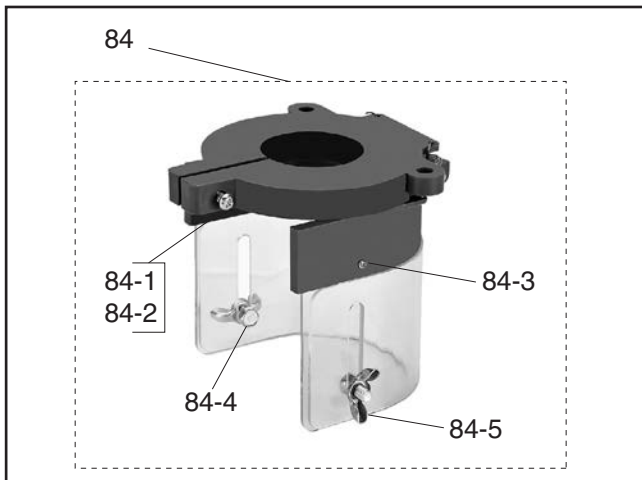
The following change was recently made to this machine since the owner's manual was printed:

- Added a chuck guard.

Aside from this information, all other content in the owner's manual applies and MUST be read and understood for your own safety. **IMPORTANT: Keep this update with the owner's manual for future reference.**

For questions or help, contact our Tech Support at (570) 546-9663 or techsupport@grizzly.com.

Added Part



REF	PART #	DESCRIPTION
84	P7942084	CHUCK GUARD ASSEMBLY
84-1	PS51M	PHLP HD SCR M4-.7 X 30
84-2	PN04M	HEX NUT M4-.7
84-3	PHTEK47M	TAP SCREW M2.2 X 4.5
84-4	PB107M	HEX BOLT M5-.8 X 12
84-5	PWN05M	WING NUT M5-.8

Tools Needed

	Qty
Wrench 10mm	1
Wrench 5mm	1
Phillips Head Screwdriver	1

Installation

1. Unthread the depth stop rod (see **Figure 1**) from the hex nut under the bracket, then remove it from the machine.

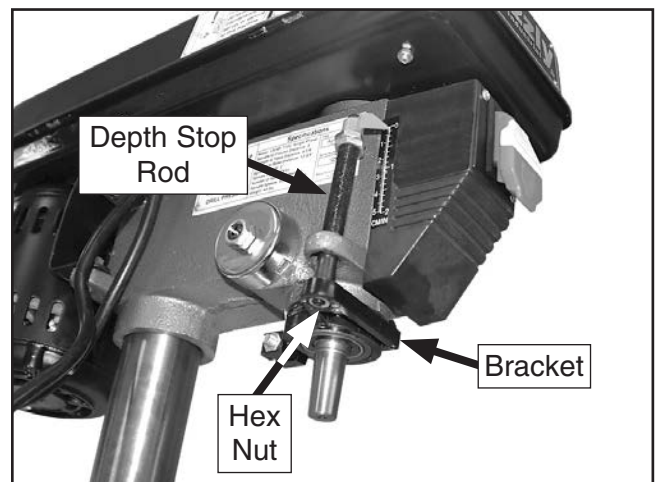


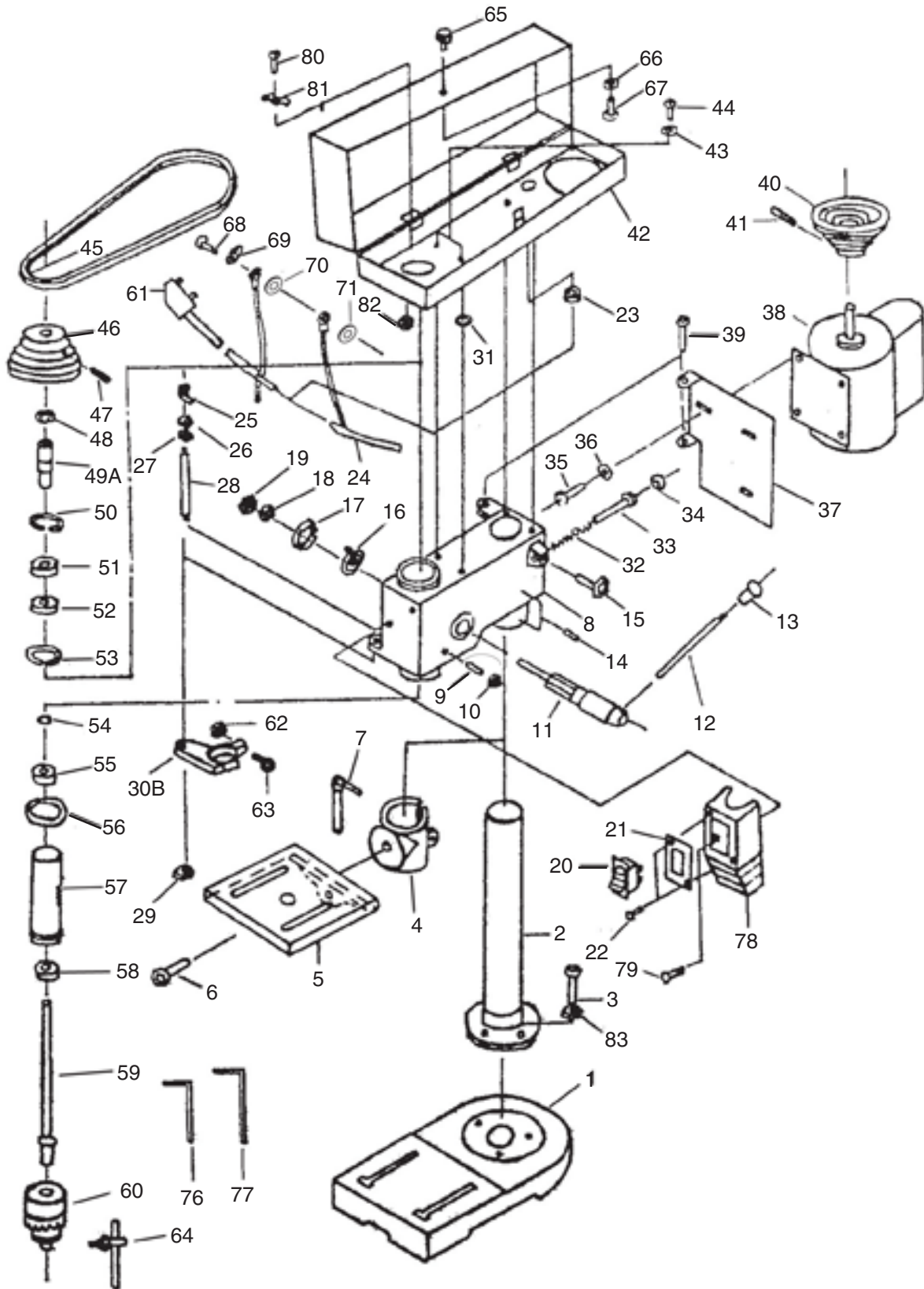
Figure 1. Depth stop rod and bracket.

COPYRIGHT © MARCH, 2013 BY GRIZZLY INDUSTRIAL, INC.

WARNING: NO PORTION OF THIS MANUAL MAY BE REPRODUCED IN ANY SHAPE OR FORM WITHOUT THE WRITTEN APPROVAL OF GRIZZLY INDUSTRIAL, INC.

#TS15629 PRINTED IN CHINA

G7942 Parts Breakdown



G7942 Parts List

REF	PART #	DESCRIPTION
1	P7942001	BASE
2	P7942002	COLUMN
3	PB09M	HEX BOLT M8-1.25 X 20
4	P7942004	CLAMPING SLEEVE
5	P7942005	TABLE
6	PB25M	HEX BOLT M12-1.75 X 25
7	P7942007	CLAMPING LEVER
8	P7942008	HEAD CASTING
9	PSS58M	SET SCREW M6-1 X 18
10	PN01M	HEX NUT M6-1
11	P7942011	FEED SHAFT
12	P7942012	HANDLE BAR
13	P7945029	KNOB M10-1.5
14	PSS20M	SET SCREW M8-1.25 X 8
15	P7942015	KNOB M8-1.25
16	P7942016	SPRING
17	P7942017	SPRING CAP
18	PN14M	HEX NUT M10-1
19	PN14M	HEX NUT M10-1
20	P7942020	PADDLE SWITCH 110/220V WITH KEY
21	P7942021	CLAMPING SHEET
22	PS07M	PHLP HD SCR M4-.7 X 8
23	P7942023	WIRE BUSHING
24	P7942024	POWER CORD 16G 3W 24"L
25	P7942025	POINTER
26	PN14M	HEX NUT M10-1
27	PN14M	HEX NUT M10-1
28	P7942028	DEPTH STOP ROD
29	PN01M	HEX NUT M6-1
30B	P7942030B	DEPTH STOP CLAMP V2.03.05
31	P7942031	RUBBER WASHER 7MM
32	P7942032	COMPRESSION SPRING
33	P7942033	SLIDE BAR
34	P7942034	RUBBER PAD
35	PB04M	HEX BOLT M6-1 X 10
36	PW03M	FLAT WASHER 6MM
37	P7942037	MOTOR BASE
38	P7942038	MOTOR
39	PB03M	HEX BOLT M8-1.25 X 16
40	P7942040	MOTOR PULLEY

REF	PART #	DESCRIPTION
41	PSS01M	SET SCREW M6-1 X 10
42	P7942042	PULLEY COVER
43	PW03M	FLAT WASHER 6MM
44	PS68M	PHLP HD SCR M6-1 X 10
45	PVM26	V-BELT M-26 3L260
46	P7942046	SPINDLE PULLEY
47	PSS01M	SET SCREW M6-1 X 10
48	PR10M	EXT RETAINING RING 22MM
49A	P7942049A	INTERNAL SPLINE SLEEVE V2.08.05
50	PR23M	INT RETAINING RING 40MM
51	P6203ZZ	BALL BEARING 6203ZZ
52	P6203ZZ	BALL BEARING 6203ZZ
53	PR23M	INT RETAINING RING 40MM
54	PR03M	EXT RETAINING RING 12MM
55	P6201ZZ	BALL BEARING 6201ZZ
56	P7942056	COLLAR
57	P7942057	SPINDLE SLEEVE
58	P6202ZZ	BALL BEARING 6202ZZ
59	P7942059	SPINDLE
60	P7942060	CHUCK 1-13MM JT33
61	P7942061	POWER CORD 16G 3W 73"L
62	PN01M	HEX NUT M6-1
63	PB10M	HEX BOLT M6-1 X 25
64	P7942064	DRILL CHUCK KEY V2.08.06
65	P7942065	HANDLE
66	PW02M	FLAT WASHER 5MM
67	PS08M	PHLP HD SCR M5-.8 X 12
68	PS07M	PHLP HD SCR M4-.7 X 8
69	P7942069	GROUNDING SYMBOL
70	PW05M	FLAT WASHER 4MM
71	PW05M	FLAT WASHER 4MM
76	PAW03M	HEX WRENCH 3MM
77	PAW04M	HEX WRENCH 4MM
78	P7942078	SWITCH BOX
79	PHTEK5M	TAP SCREW M4 X 12
80	PS07M	PHLP HD SCR M4-.7 X 8
81	P7942081	WIRE CLAMPS
82	PN04M	HEX NUT M4-.7
83	PW01M	FLAT WASHER 8MM