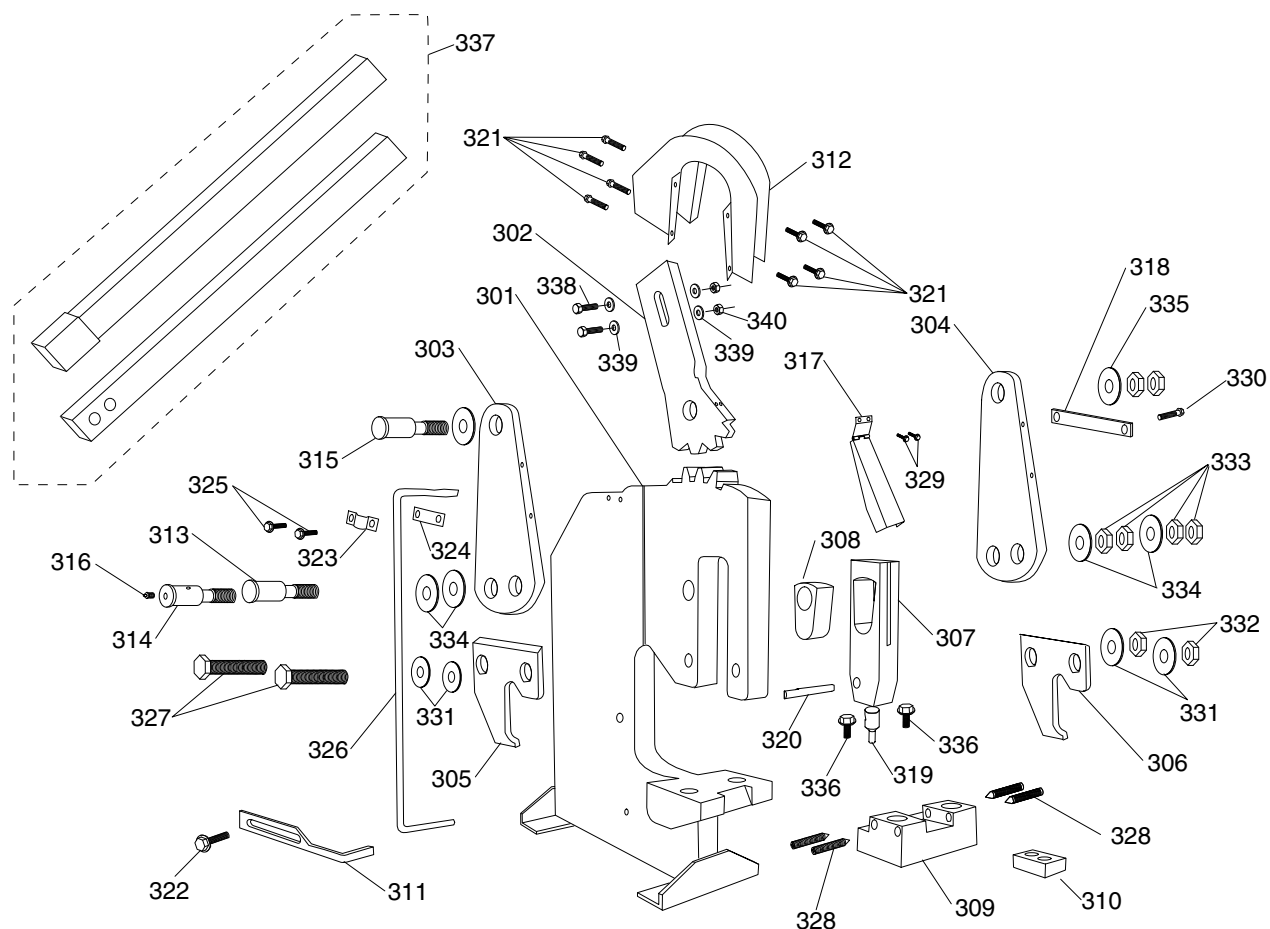


# SECTION 7: PARTS

## Parts Breakdown



### REF PART # DESCRIPTION

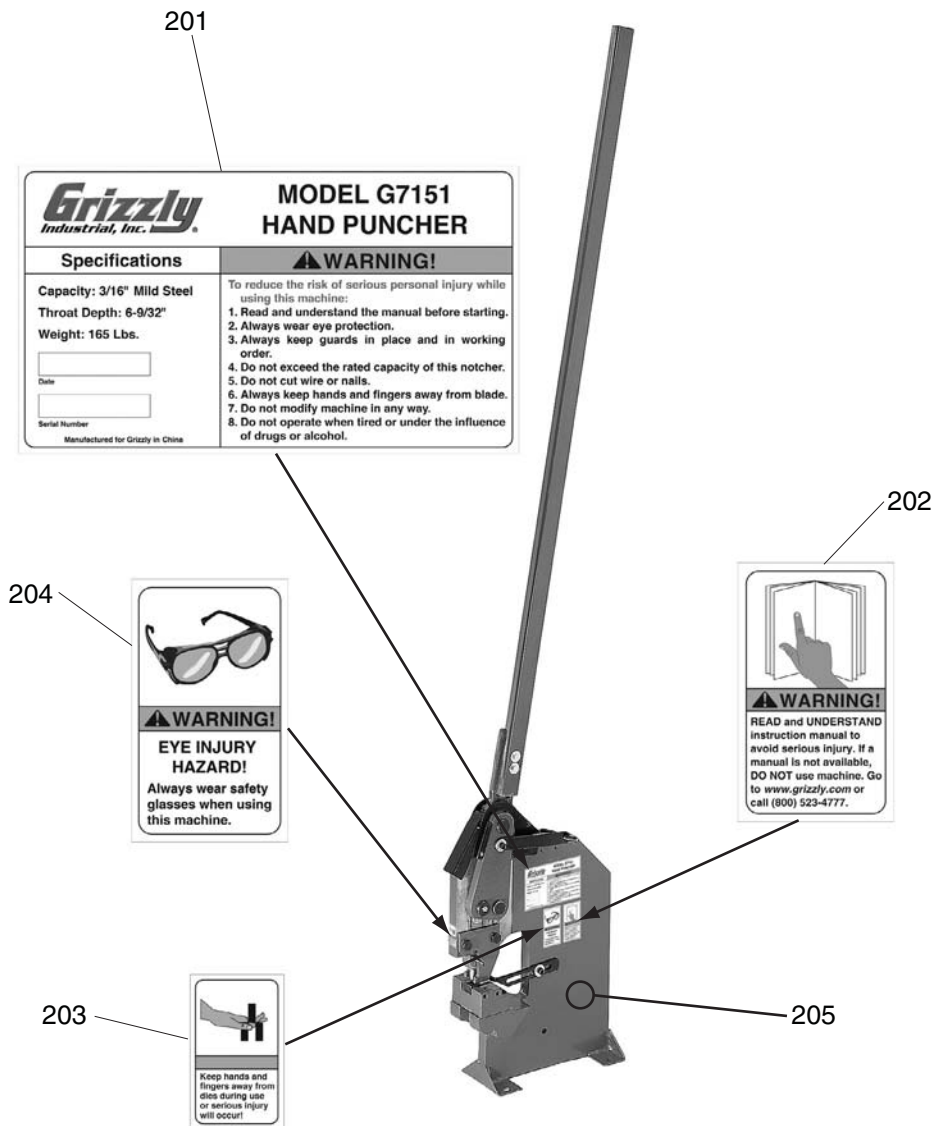
301	P7151301	BODY
302	P7151302	HANDLE BASE
303	P7151303	JOINTING PLATE LEFT
304	P7151304	JOINTING PLATE RIGHT
305	P7151305	PRESSURE PLATE LEFT
306	P7151306	PRESSURE PLATE RIGHT
307	P7151307	RAM
308	P7151308	ROCKER BLOCK
309	P7151309	TABLE
310	P7151310	DIE
311	P7151311	WORK STOP
312	P7151312	HANDLE BRACKET
313	P7151313	PIVOT PIN
314	P7151314	PORTED PIVOT PIN
315	P7151315	HANDLE PIVOT PIN
316	P7151316	ZERK FITTING
317	P7151317	GEAR COVER
318	P7151318	SPRING PLATE
319	P7151319	PUNCH
320	P7151320	PUNCH PIN

### REF PART # DESCRIPTION

321	PFB08M	FLANGE BOLT M5-.8 X 10
322	PB74M	HEX BOLT M10-1.5 X 20
323	P7151323	SPRING BRACKET (INNER)
324	P7151324	SPRING BRACKET (OUTER)
325	PFB25M	FLANGE BOLT M8-1.25 X 25
326	P7151326	TORSION ROD
327	PB131M	HEX BOLT M16-2 X 70
328	P7151328	SPECIAL SET SCREW
329	PB05M	HEX BOLT M6-1 X 8
330	PFB23M	FLANGE BOLT M10-1.5 X 20
331	PW08M	FLAT WASHER 16MM
332	P7151332	SPECIAL NUT M16
333	P7151333	SPECIAL NUT M20
334	PW13M	FLAT WASHER 20MM
335	PW13M	FLAT WASHER 20MM
336	PB38M	HEX BOLT M12-1.75 X 60
337	P7151337	PIPE HANDLE 2PC SET V2.11.02
338	PB12M	HEX BOLT M12-1.75 x 55
339	PW06M	FLAT WASHER 12MM
340	PN09M	HEX NUT M12-1.75



# Labels Breakdown & List



REF	PART #	DESCRIPTION
201	P7151201	MACHINE ID LABEL
202	PLABEL-12A	READ MANUAL LABEL
203	P7151203	PINCHING LABEL

REF	PART #	DESCRIPTION
204	PLABEL-11A	SAFETY GLASSES LABEL
205	PPAINT-1	GREEN TOUCH-UP PAINT

## WARNING

Safety labels warn about machine hazards and ways to prevent injury. The owner of this machine **MUST** maintain the original location and readability of the labels on the machine. If any label is removed or becomes unreadable, **REPLACE** that label before using the machine again. Contact Grizzly at (800) 523-4777 or [www.grizzly.com](http://www.grizzly.com) to order new labels.

