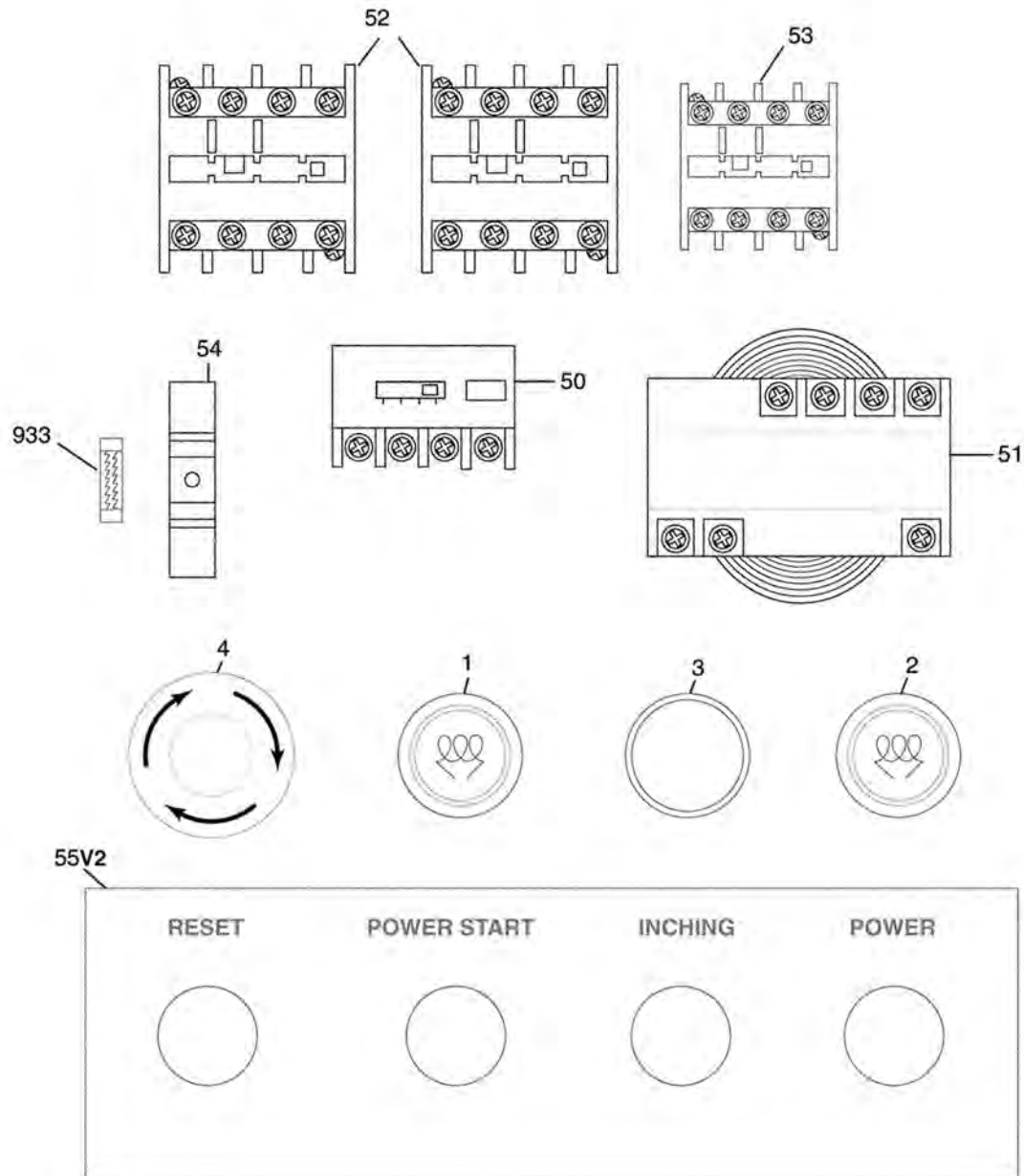


SECTION 9: PARTS

Electrical

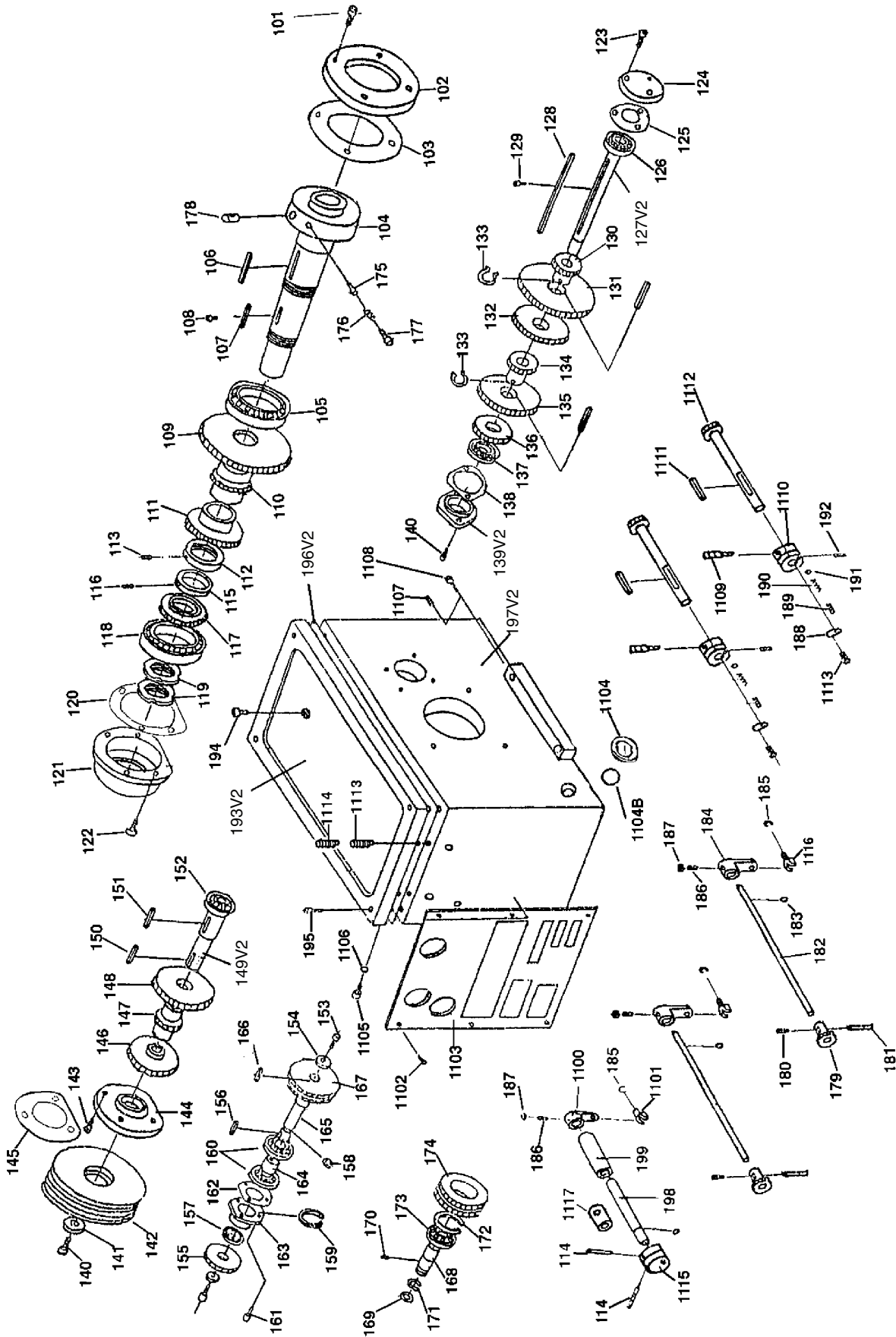


REF	PART #	DESCRIPTION
1	P4003001	START BUTTON
2	P4003002	INDICATOR LIGHT
3	P4003003	JOG BUTTON
4	P4003004	RESET BUTTON
50	P4003050	THERMAL PROT. BLOCK
51	P4003051	TRANSFORMER

REF	PART #	DESCRIPTION
52	P4003052	CONTACTOR GSC1CJX4-D 110V
53	P4003053	CONTACTOR JZC3-40D 110V
54	P4003054	FUSE HOLDER
55V2	P4003055V2	CONTROL PANEL PLATE V2.03.07
933	P4003933	FUSE 2 AMP



Headstock



BUY PARTS ONLINE AT GRIZZLY.COM!
 Scan QR code to visit our Parts Store.




Headstock Parts List

REF	PART #	DESCRIPTION
101	P4003101	CAP SCREW M6-1 X 25
102	P4003102	COVER
103	P4003103	OIL SEAL
104	P4003104	SPINDLE 16"
105	P4003105	BEARING D-7212
106	P4003106	KEY 8 X 8 X 80
107	P4003107	KEY
108	P4003108	CAP SCREW M3-.5 X 8
109	P4003109	GEAR 37T/74T
110	P4003110	GEAR 46T
111	P4003111	GEAR 59T
112	P4003112	NUT 58OD
113	P4003113	CAP SCREW M8-1.25 X 10
114	P4003114	ROLL PIN 5 X 40
115	P4003115	COLLAR
116	P4003116	CAP SCREW M3-.5 X 8
117	P4003117	GEAR
118	P4003118	BEARING D-7211
119	P4003119	NUT
120	P4003120	OIL SEAL
121	P4003121	COVER
122	P4003122	CAP SCREW M8-1.25 X 20
123	P4003123	CAP SCREW M6-1 X 12
124	P4003124	COVER
125	P4003125	OIL SEAL
126	P4003126	BALL BEARING 6304 ZZ
127V2	P4003127V2	SHAFT 219MM V2.01.03
128	P4003128	KEY 8 X 180
129	P4003129	CAP SCREW M3-.5 X 8
130	P4003130	GEAR
131	P4003131	GEAR
132	P4003132	GEAR
133	P4003133	INT RETAINING RING 15MM
134	P4003134	GEAR
135	P4003135	GEAR
136	P4003136	GEAR
137	P4003137	BALL BEARING 6004 OPEN
138	P4003138	OIL SEAL
139V2	P4003139V2	COVER 45MM V2.01.03
140	P4003140	CAP SCREW M8-1.25 X 20
141	P4003141	WASHER
142	P4003142	PULLEY
143	P4003143	CAP SCREW M6-1 X 12
144	P4003144	COVER
145	P4003145	OIL SEAL
146	P4003146	GEAR
147	P4003147	GEAR
148	P4003148	GEAR
149V2	P4003149V2	SHAFT 178MM V2.01.03
150	P4003150	KEY CS X 80
151	P4003151	KEY 5 X 5 X 80
152	P4003152	BALL BEARING 6004 OPEN
153	P4003153	CAP SCREW M6-1 X 12

REF	PART #	DESCRIPTION
154	P4003154	WASHER
155	P4003155	GEAR 40T
156	P4003156	KEY CS X 8
157	P4003157	OIL SEAL 25 X 40 X 10 V1.10.96
158	P4003158	EXT RETAINING RING 20MM
159	P4003159	INT RETAINING RING 40MM
160	P4003160	BALL BEARING 6004 OPEN
161	P4003161	CAP SCREW M6-1 X 12
162	P4003162	OIL SEAL
163	P4003163	COVER
164	P4003164	COLLAR
165	P4003165	SHAFT 117MM
166	P4003166	KEY 5 X 5 X 20
167	P4003167	GEAR
168	P4003168	SHAFT
169	P4003169	OIL SEAL 17 X 2.65
170	P4003170	SET SCREW M8-1.25 X 6
171	P4003171	C-CLIP
172	P4003172	INT RETAINING RING 47MM
173	P4003173	BALL BEARING 6204 OPEN
174	P4003174	GEAR 38T/45T
175	P4003175	LOCK PIN
176	P4003176	SPRING 6 X 4 X 22
177	P4003177	CAP SCREW M8-1.25 X 16
178	P4003178	ECCENTRIC SHAFT
179	P4003179	GEAR
180	P4003180	SET SCREW M8-1.25 X 10
181	P4003181	ROLL PIN 6 X 5
182	P4003182	SHAFT
183	P4003183	OIL SEAL
184	P4003184	SHAFT ARM
185	P4003185	C-CLIP
186	P4003186	CAP SCREW M8-1.25 X 16
187	P4003187	HEX NUT M8-1.25
188	P4003188	SIGN BOARD
189	P4003189	SET SCREW M8-1.25 X 8
190	P4003190	COMPRESSIONSPRING 1.2 X 48 X 27
191	P4003191	STEEL BALL 6MM
192	P4003192	SET SCREW M6-1 X 20
193V2	P4003193V2	COVER 10-3/8" V2.01.03
194	P4003194	SCREW
195	P4003195	CAP SCREW M6-1 X 25
196V2	P4003196V2	OIL SEAL V2.09.05
197V2	P4003197V2	HEADSTOCK V2.01.03
198	P4003198	SHAFT
199	P4003199	COLLAR
1100	P40031100	SHIFTER ARM
1101	P40031101	SHIFTER
1102	P40031102	STEEL FLUTED RIVET 2 X 5MM
1103	P40031103	NAME PLATE
1104	P40031104	OIL WINDOW 12MM
1104B	P40031104B	O-RING 15 X 2.65
1105	P40031105	CAP SCREW M8-1.25 X 30



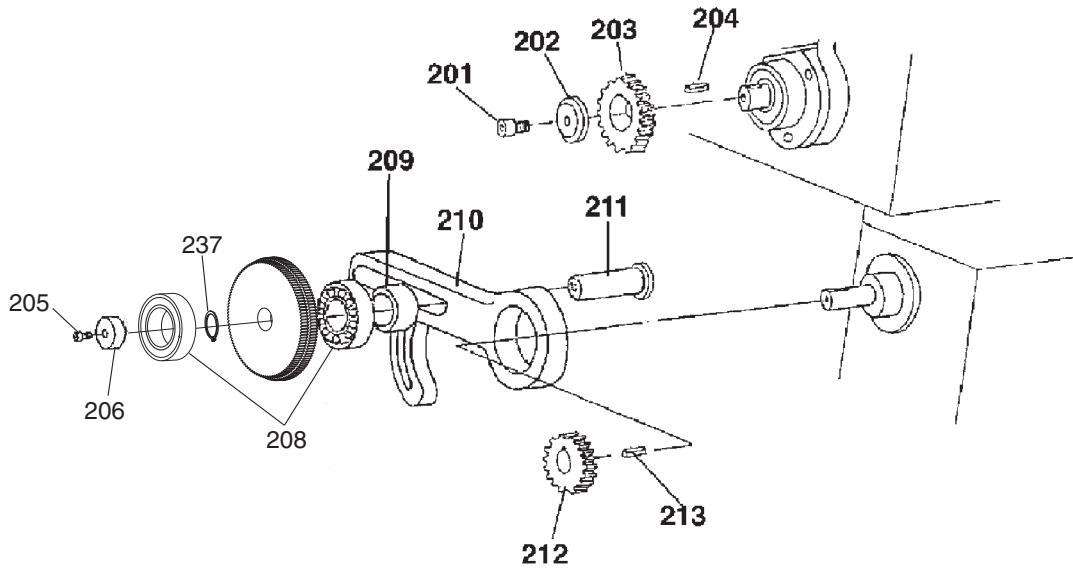
Headstock Parts List (Cont.)

REF	PART #	DESCRIPTION
1106	P40031106	OIL SEAL 9.5 X 2.65
1107	P40031107	CAP SCREW M8-1.25 X 30
1108	P40031108	HEX BOLT M8-1.25 X 40
1109	P40031109	HANDLE
1110	P40031110	BOSS
1111	P40031111	KEY 5 X 5 X 15

REF	PART #	DESCRIPTION
1112	P40031112	GEAR
1113	P40031113	CAP SCREW M6-1 X 8
1114	P40031114	CAP SCREW M6-1 X 8
1115	P40031115	BOSS
1116	P40031116	SHIFTER
1117	P40031117	COLLAR



Change Gear Train



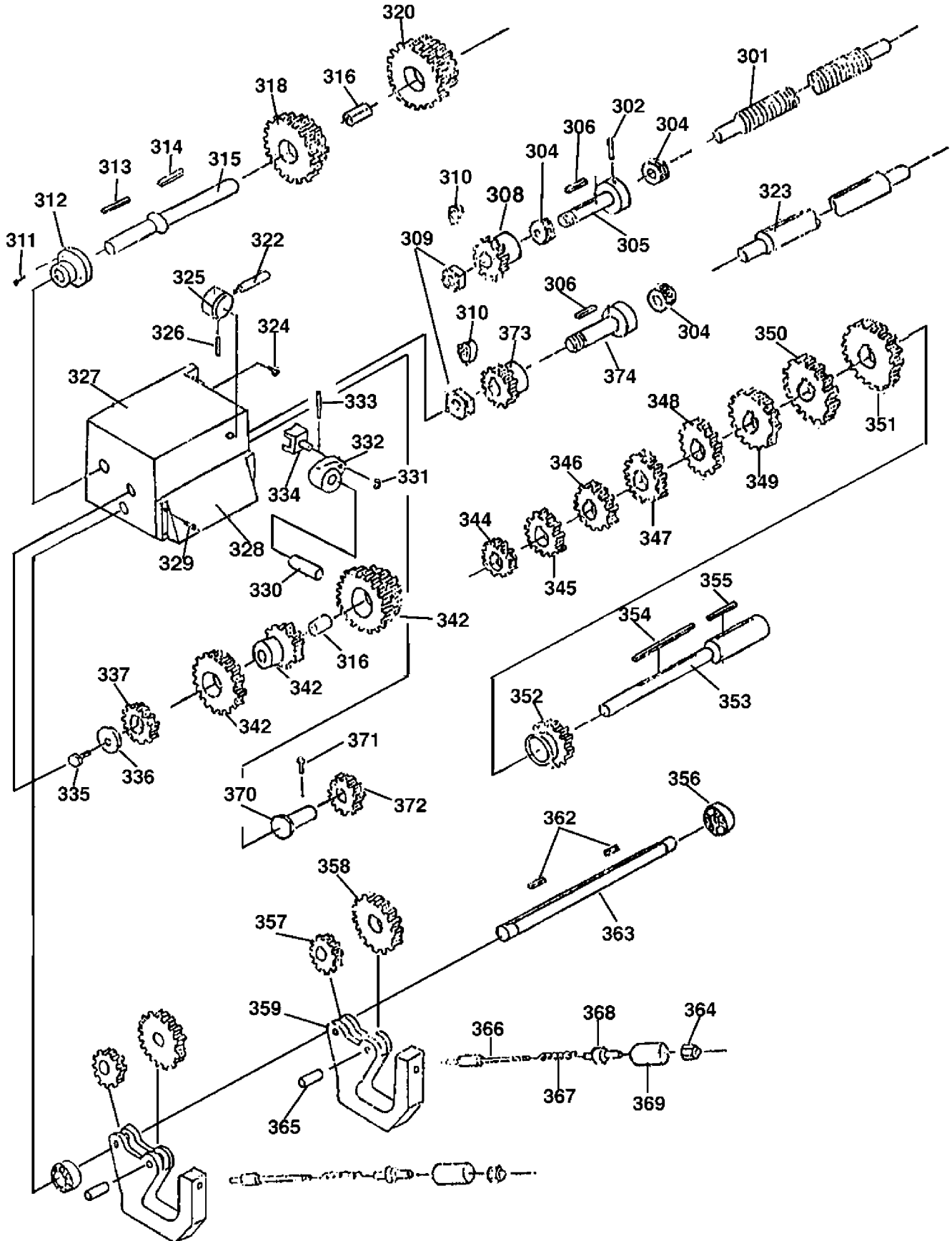
(Alternate gears: 938V2, 945)

REF	PART #	DESCRIPTION
201	P4003201	CAP SCREW M6-1 X 12
202	P4003202	WASHER
203	P4003203	GEAR
204	P4003204	KEY 5 X 5 X 30
205	P4003205	CAP SCREW M6-1 X 12
206	P4003206	WASHER
208	P4003208	BALL BEARING 6003-2RS
209	P4003209	SPACER

REF	PART #	DESCRIPTION
210	P4003210	QUADRANT
211	P4003211	SHAFT
212	P4003212	GEAR 40T
213	P4003213	KEY 5 X 5 X 30
237	P4003237	EXT RETAINING RING 35MM
938V2	P4003938V2	GEAR 35T V2.08.05
945	P4003945	GEAR 36T



Quick Change Gearbox



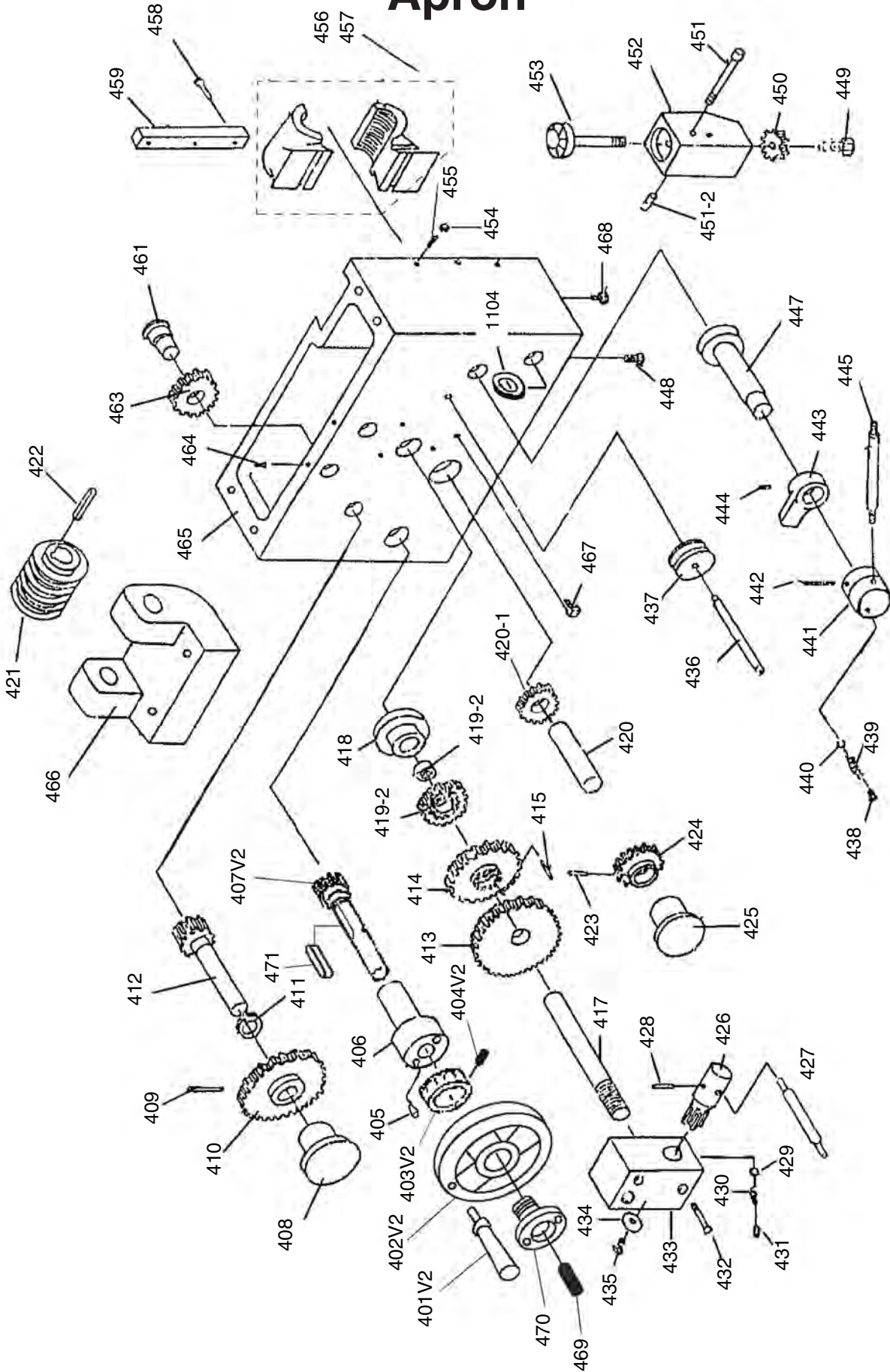
Quick Change Gearbox Parts List

REF	PART #	DESCRIPTION
301	P4003301	LEADSCREW
302	P4003302	ROLL PIN 5 X 36
304	P4003304	THRUST BEARING 8103
305	P4003305	SHAFT
306	P4003306	KEY 5 X 5 X 14
308	P4003308	GEAR
309	P4003309	HEX NUT M12-1.75
310	P4003310	WASHER
311	P4003311	CAP SCREW M6-1 X 16
312	P4003312	COVER
313	P4003313	KEY 5 X 5 X 30
314	P4003314	KEY 5 X 5 X 10
315	P4003315	SHAFT
316	P4003316	BUSHING
318	P4003318	GEAR 16T/32T
320	P4003320	GEAR 16T/32T
322	P4003322	LEVER
323	P4003323	FEED ROD
324	P4003324	HEX BOLT M10-1.5 X 30
325	P4003325	BOSS
326	P4003326	ROLL PIN 5 X 40
327	P4003327	GEAR BOX
328	P4003328	PLATE
329	P4003329	CAP SCREW M6-1 X 16
330	P4003330	SHAFT
331	P4003331	E-CLIP 13MM
332	P4003332	SHIFT PIVOT
333	P4003333	PIN 4 X 30
334	P4003334	SHIFT YOKE
335	P4003335	CAP SCREW M6-1 X 12
336	P4003336	WASHER

REF	PART #	DESCRIPTION
337	P4003337	GEAR 16T
342	P4003342	COMBO GEAR 3PC SET
344	P4003344	GEAR 16T
345	P4003345	GEAR 18T
346	P4003346	GEAR 19T
347	P4003347	GEAR 20T
348	P4003348	GEAR 22T
349	P4003349	GEAR 24T
350	P4003350	GEAR 26T
351	P4003351	GEAR 28T
352	P4003352	GEAR 24T
353	P4003353	SHAFT
354	P4003354	KEY 5 X 5 X 75
355	P4003355	KEY 5 X 5 X 40
356	P4003356	BEARING 7000102
357	P4003357	GEAR 16T
358	P4003358	GEAR 32T W/BUSHING
359	P4003359	SHIFT LEVER
362	P4003362	KEY
363	P4003363	SHAFT
364	P4003364	HEX NUT M6-1
365	P4003365	SHAFT 16MM X 32MM
366	P4003366	SHAFT
367	P4003367	COMPRESSION SPRING 1 X 8 X 47
368	P4003368	SLEEVE
369	P4003369	HOUSING
370	P4003370	SHAFT
371	P4003371	CAP SCREW M8-1.25 X 8
372	P4003372	GEAR 15T
373	P4003373	GEAR 24T
374	P4003374	SHAFT



Apron



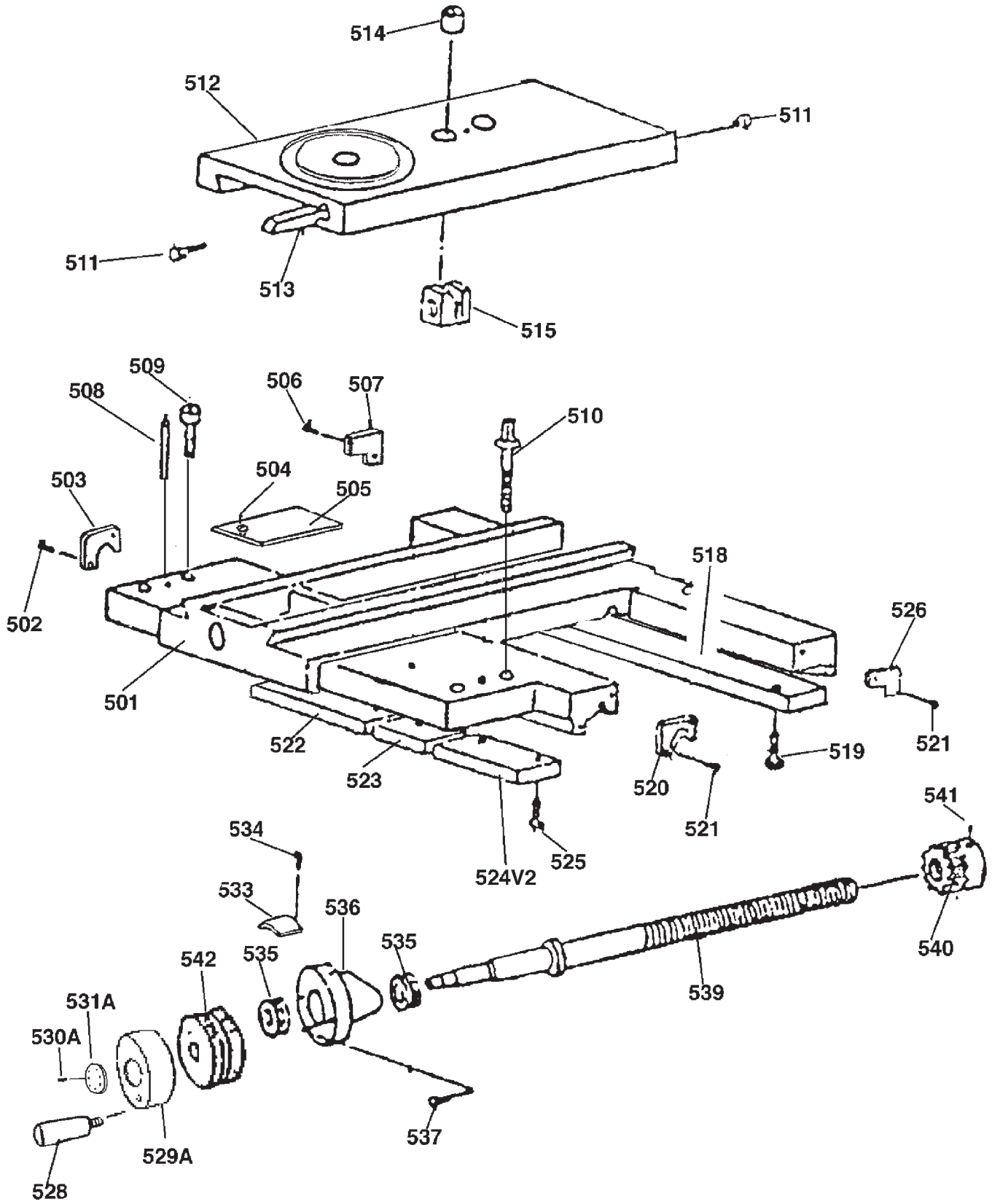
Apron Parts List

REF	PART #	DESCRIPTION
401V2	P4003401V2	HANDLE V2.08.12
402V2	P4003402V2	HANDWHEEL V2.08.12
403V2	P4003403V2	GRADUATED DIAL V2.08.12
404V2	PSS03M	SET SCREW M6-1 X 8
405	P4003405	CAP SCREW M6-1 X 20
406	P4002406	BRACKET
407V2	P4003407V2	GEAR SHAFT V2.08.12
408	P4003408	BUSHING
409	P4003409	ROLL PIN 5 X 30
410	P4003410	GEAR 50T
411	P4003411	EXT RETAINING RING 19MM
412	P4003412	GEAR SHAFT
413	P4003413	GEAR 46T
414	P4003414	GEAR 51T
415	P4003415	ROLL PIN 5 X 30
417	P4003417	SHAFT
418	P4003418	BUSHING
419-2	P4003419-2	GEAR W/BUSHING AND SPACER
420	P4003420	SHAFT
420-1	P4003420-1	WORM GEAR
421	P4003421	WORM
422	P4003422	KEY 5 X 5 X 45
423	P4003423	ROLL PIN 5 X 24
424	P4003424	GEAR 14T
425	P4003425	BUSHING
426	P4003426	GEAR SHAFT B5 X 36
427	P4003427	LEVER
428	P4003428	ROLL PIN 5 X 24
429	P4003429	STEEL BALL 6MM
430	P4003430	COMPRESSION SPRING 1 X 4.5 X 6
431	P4003431	SET SCREW M6-1 X 8
432	P4003432	CAP SCREW M6-1 X 45
433	P4003433	BOSS
434	P4003434	WASHER
435	P4003435	CAP SCREW M6-1 X 40

REF	PART #	DESCRIPTION
436	P4003436	SHAFT
437	P4003437	SAFETY SHIFTER
438	P4003438	CAP SCREW M8-1.25 X 6
439	P4003439	COMPRESSION SPRING 1 X 4.5 X 6
440	P4003440	STEEL BALL 6MM
441	P4003441	BOSS
442	P4003442	ROLL PIN 6 X 40
443	P4003443	DOG
444	P4003444	CAP SCREW M8-1.25 X 30
445	P4003445	LEVER
447	P4003447	SHAFT
448	P4003448	CAP SCREW M6-1 X 65
449	P4003449	CAP SCREW M6-1 X 15
450	P4003450	GEAR 16T
451	P4003451	CAP SCREW M6-1 X 60
451-2	P4003451-2	SPACER
452	P4003452	HOUSING
453	P4003453	THREAD DIAL
454	P4003454	HEX NUT M6-1
455	P4003455	HEX BOLT M6-1 X 16
456	P4003456	HALF NUT 2 PC
457	P4003457	HALF NUT HOUSING 2 PC
458	P4003458	CAP SCREW M6-1 X 25
459	P4003459	GIB
461	P4003461	SHAFT
463	P4003463	GEAR 25T
464	P4003464	SET SCREW M6-1 X 6
465	P4003465	APRON CASE
466	P4003466	WORM BRACKET
467	P4003467	LIMIT BLOCK
468	P4003468	OIL PLUG M10-1.5 X 20
469	P4003469	SET SCREW M6-1 X 20
470	P4003470	SPANNER CAP SCREW
471	P4003471	KEY 5 X 5 X 20
1104	P40031104	OIL WINDOW 12MM



Saddle



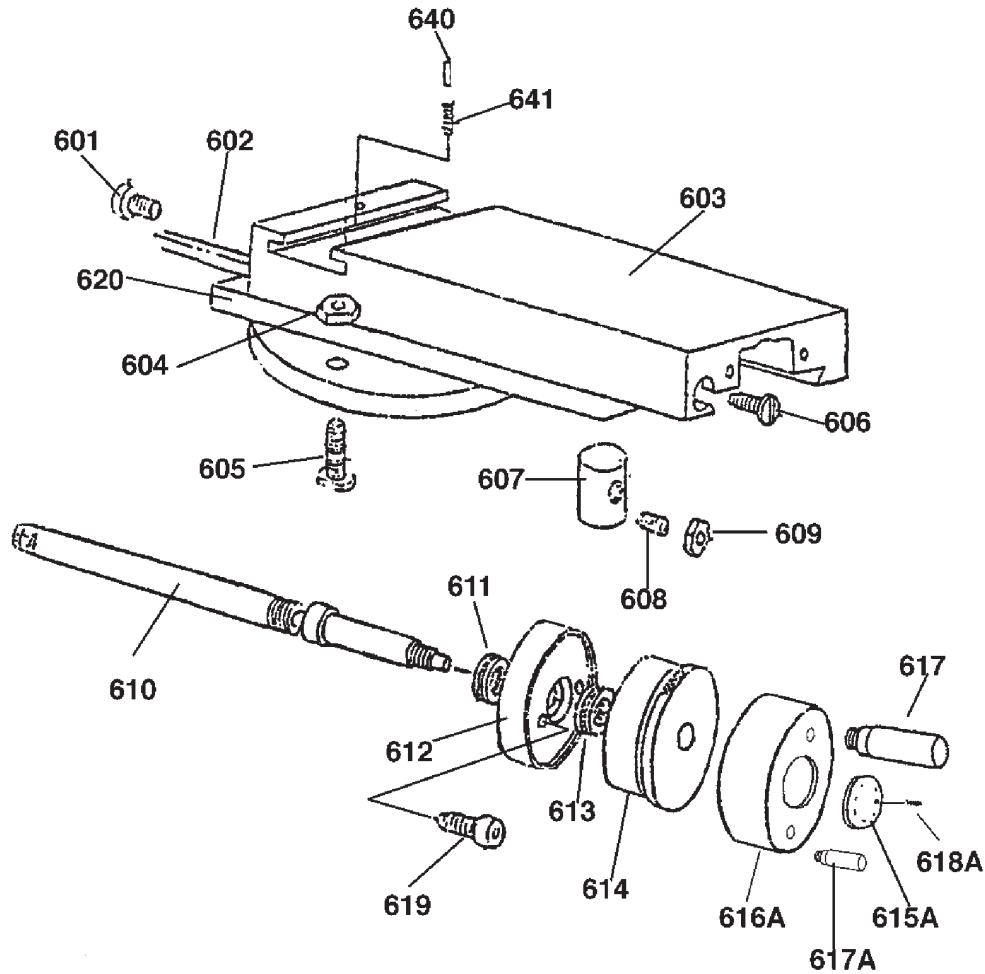
Saddle Parts List

REF	PART #	DESCRIPTION
501	P4003501	SADDLE
502	P4003502	PHLP HD SCR M3-.5 X 14
503	P4003503	WIPER
504	P4003504	PHLP HD SCR 8-32 X 3/8
505	P4003505	COVER
506	P4003506	CAP SCREW M5-.8 X 14
507	P4003507	WIPER
508	P4003508	ROLL PIN 5 X 45
509	P4003509	CAP SCREW M8-1.25 X 35
510	P4003510	SCREW
511	P4003511	SCREW
512	P4003512	CROSS SLIDE
513	P4003513	GIB
514	P4003514	BUSHING
515	P4003515	CROSS SLIDE NUT M8-1.25, BRASS
518	P4003518	SLIDE PLATE
519	P4003519	CAP SCREW M8-1.25 X 25
520	P4003520	WIPER
521	P4003521	SCREW

REF	PART #	DESCRIPTION
522	P4003522	SLIDE PLATE
523	P4003523	SLIDE PLATE
524V2	P4003524V2	SLIDE PLATE 3 HOLES V2.01.09
525	P4003525	HEX BOLT M8-1.25 X 24
526	P4003526	WIPER
528	P4003528	HANDLE
529A	P4003529A	BRACKET
530A	P4003530A	SET SCREW
531A	P4003531A	SPANNER NUT
533	P4003533	SIGN BOARD
534	P4003534	RIVET 2 X 3MM STEEL
535	P4003535	THRUST BEARING 51102
536	P4003536	BRACKET
537	P4003537	CAP SCREW M6-1 X 25
539	P4003539	CROSS SLIDE LEADSCREW
540	P4003540	GEAR 13T
541	P4003541	CAP SCREW M6-1 X 8
542	P4003542	DIAL



Compound Rest



REF	PART #	DESCRIPTION
601	P4003601	SCREW
602	P4003602	GIB
603	P4003603	COMPOUND SLIDE
604	P4003604	HEX NUT M8-1.25
605	P4003605	COMPOUND T-BOLT
606	P4003606	COMPOUND GIB BOLT
607	P4003607	LEAD SCREW NUT
608	P4003608	SET SCREW M6-1 X 8
609	P4003609	HEX NUT M6-1
610	P4003610	COMPOUND REST LEADSCREW
611	P4003611	THRUST BEARING 8101
612	P4003612	BRACKET

REF	PART #	DESCRIPTION
613	P4003613	THRUST BEARING 8101
614	P4003614	INDEX RING
615A	P4003615A	SPANNER NUT
616A	P4003616A	BRACKET
617A	P4003617A	SHORT HANDLE
617	P4003617	LONG HANDLE W/SCREW
618A	P4003618A	SET SCREW M5-.8 X 5
619	P4003619	CAP SCREW M6-1 X 15
620	P4003620	COMPOUND REST
640	P4003640	PIN
641	P4003641	COMPRESSION SPRING 1 X 5 X 12



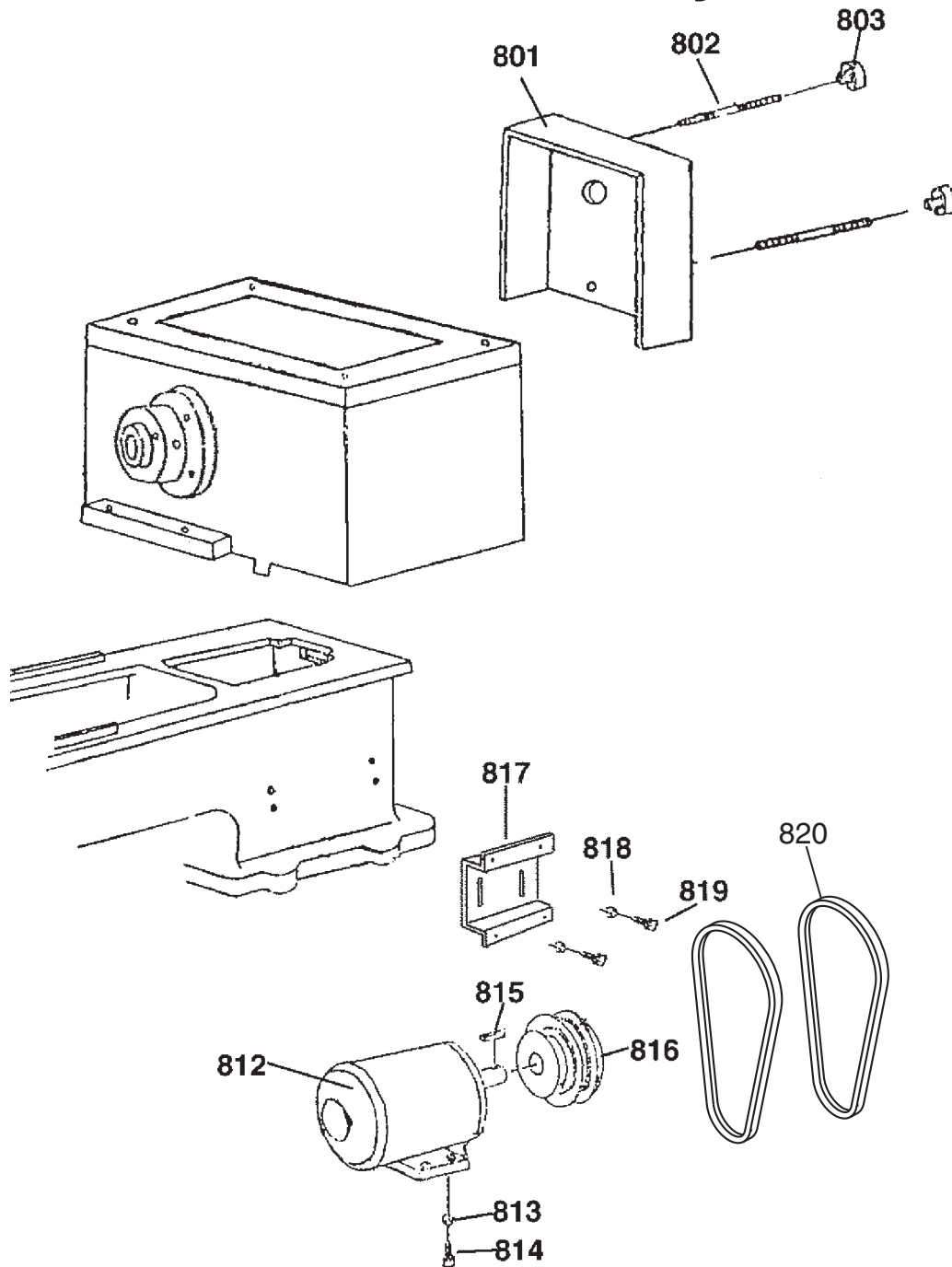
Tailstock Parts List

REF	PART #	DESCRIPTION
701	P4003701	CENTER
702	P4003702	KEY 8 X 30
703	P4003703	QUILL
704	P4003704	TAIL STOCK
705	P4003705	BASE
706	P4003706	CAP SCREW M10-1.5 X 50
707	P4003707	SCREW
708	P4003708	PIN B4 X 8
709	P4003709	THRUST BEARING 8101
710	P4003710	BRACKET
711	P4003711	INDEX RING
712	P4003712	CAP SCREW M6-1 X 20
713	P4003713	HAND WHEEL
714	P4003714	HANDLE

REF	PART #	DESCRIPTION
715	P4003715	HEX NUT M12-1.75
716	P4003716	HANDLE
717	P4003717	LOCK SCREW
718	P4003718	LOCK SHAFT
719	P4003719	HANDLE
720	P4003720	SHAFT
721	P4003721	ROLL PIN 5 X 30
722	P4003722	COLLAR
723	P4003723	SHAFT
724	P4003724	BASE SHOE BLOCK
725	P4003725	FLAT WASHER 12MM
726	P4003726	HEX NUT M12-1.75
727	P4003727	NUT
728	P4003728	INDEX



Motor Assembly

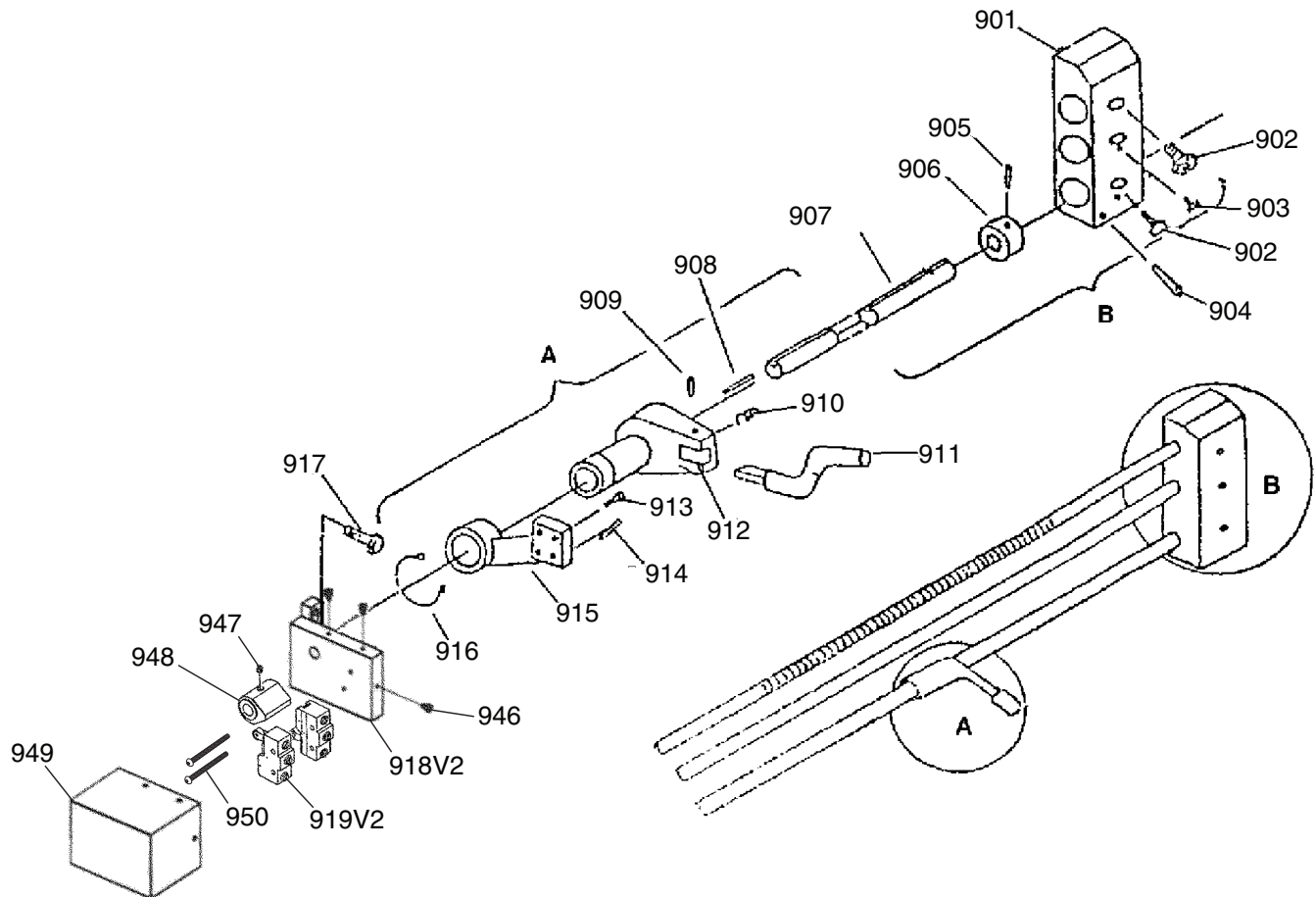


REF	PART #	DESCRIPTION
801	P4003801	COVER
802	P4003802	SCREW
803	P4003803	NUT
812	P4003812	MOTOR 2 HP 1.1KW V2.12.97
813	P4003813	FLAT WASHER 10MM
814	P4003814	HEX BOLT M10-1.5 X 30

REF	PART #	DESCRIPTION
815	P4003815	KEY
816	P4003816	PULLEY
817	P4003817	MOTOR MOUNT BRACKET
818	P4003818	FLAT WASHER 12MM
819	P4003819	HEX BOLT M10-1.5 X 30
820	P4003820	V-BELT A29



Feed Rod Leadscrew

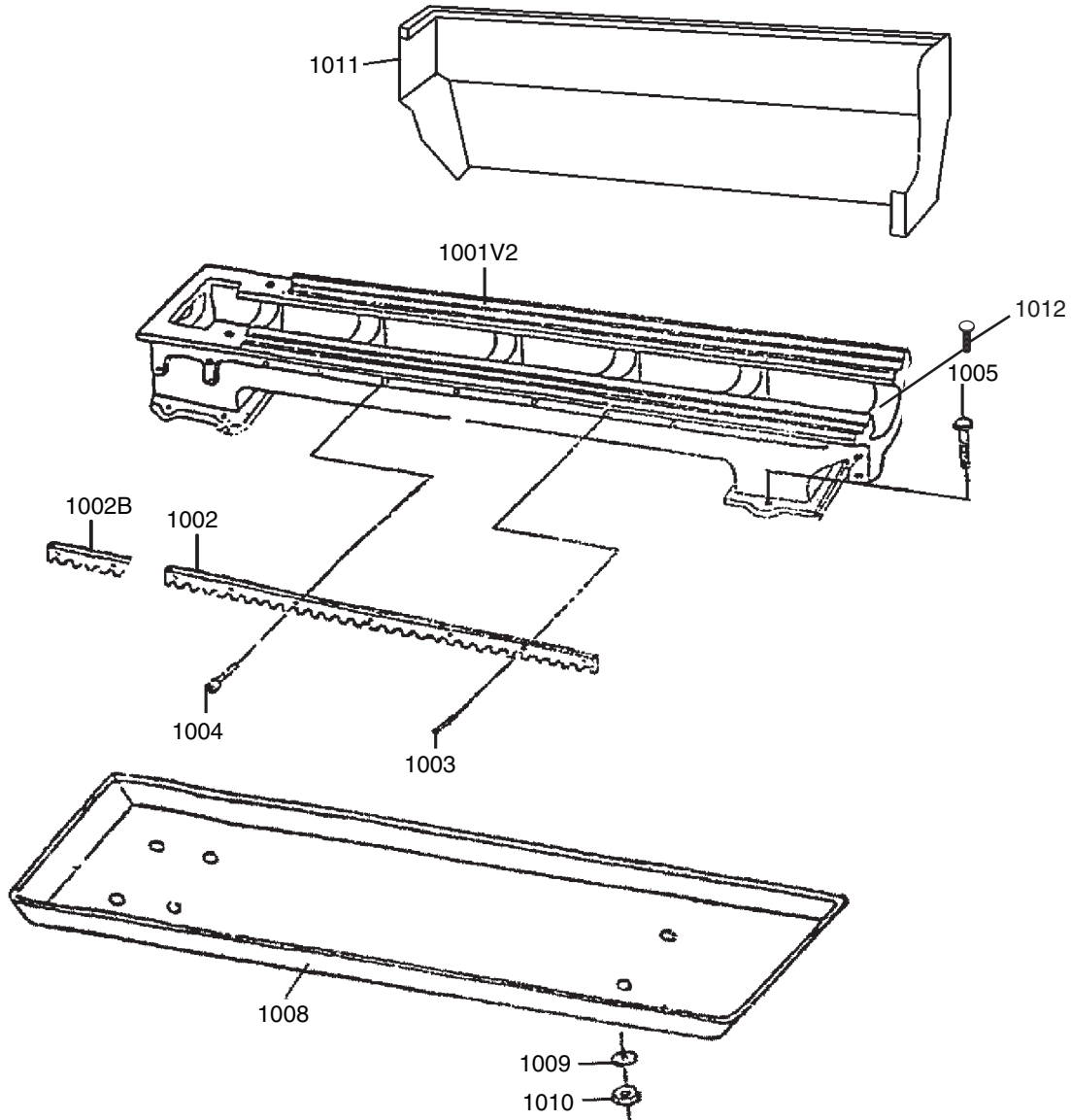


REF	PART #	DESCRIPTION
901	P4003901	BRACKET
902	P4003902	CAP SCREW M6-1 X 11
903	P4003903	OIL CAP 6MM
904	P4003904	ROLL PIN 6 X 55
905	P4003905	SET SCREW M6-1 X 6
906	P4003906	COLLAR
907	P4003907	SPINDLE ROD
908	P4003908	KEY
909	P4003909	ROLL PIN 4 X 20
910	P4003910	COMPRESSION SPRING 7020
911	P4003911	HANDLE
912	P4003912	BRACKET

REF	PART #	DESCRIPTION
913	P4003913	CAP SCREW M6-1 X 14
914	P4003914	ROLL PIN 5 X 25
915	P4003915	BRACKET
916	P4003916	EXT RETAINING RING 30MM
917	P4003917	CAP SCREW M8-1.25 X 25
918V2	P4003918V2	CONNECTION BRACKET V2.12.14
919V2	P4003919V2	SPINDLE ON/OFF SWITCH V2.12.14
946	P4003946	CAP SCREW M4-.7 X 6
947	P4003947	SET SCREW M6-1 X 8
948	P4003948	SPINDLE SWITCH ARM
949	P4003949	SPINDLE SWITCH BOX
950	P4003950	BUTTON HD CAP SCR M4-.7 X 45



Bed



REF	PART #	DESCRIPTION
1001V2	P40031001V2	LATHE BED V2.06.20
1002	P40031002	RACK
1002B	P40031002B	RACK 6-1/8" SHORT
1003	P40031003	ROLL PIN 5 X 24
1004	P40031004	CAP SCREW M6-1 X 14
1005	P40031005	CAP SCREW M12-1.75 X 40

REF	PART #	DESCRIPTION
1008	P40031008	CHIP PAN 19" X 61"
1009	P40031009	FLAT WASHER 12MM
1010	P40031010	HEX NUT M12-1.75
1011	P40031011	SPLASH GUARD 46"
1012	P40031012	TAILSTOCK STOP BOLT M12-1.75 X 50



Labels & Cosmetics

1205 **WARNING!**
EYE/FACE INJURY HAZARD!
Always wear ANSI-approved safety glasses and face shield when using this machine.

1206 **WARNING!**
INJURY/SHOCK HAZARD!
Disconnect power before adjustments, maintenance, or service.

1207 **WARNING!**
To reduce risk of death or serious injury, read manual BEFORE using machine.
To get a new manual, call (800) 523-4777 or go to www.grizzly.com.

1208 **WARNING!**
IMPACT INJURY HAZARD!
Remove chuck key and all adjustment tools before starting lathe.

1209 **WARNING!**
IMPACT INJURY HAZARD!
Avoid setting spindle speed too fast for chuck RPM rating or workpiece size/shape. This can cause rotating parts to fly loose and strike operator with great force, resulting in serious injury or death!

1204 **WARNING!**
ENTANGLEMENT HAZARD!
Tie back long hair, roll up long sleeves, and remove loose clothing, jewelry, or gloves to prevent getting caught in moving parts.

1203 **NOTICE**
Only trained personnel should operate this machine. If safe operation procedures are not clearly understood, get additional training before using.

1202 **Fluid Capacities**

Component	Capacity	Type
Headstock	3.5 qt.	Grizzly #T23983 or ISO 32 Equivalent
Gearbox	1-2 pumps	Grizzly #T23982 or ISO 68 Equivalent
Apron	0.5 qt.	Grizzly #T23982 or ISO 68 Equivalent

1214 **WARNING!**
PINCH ENTANGLEMENT HAZARD!
Disconnect power before opening door. Stay clear of rotating outboard spindle.

1211 **STOP**
CHECK OIL LEVEL BEFORE USING!
REFER TO OWNER'S MANUAL FOR OIL TYPE AND AMOUNT.

1210 **Grizzly Industrial** MODEL G4003 12" x 36" LATHE
WARNING!
To reduce the risk of serious injury while using this machine:
1. Read and understand owner's manual before starting.
2. Always wear approved safety glasses AND a face shield.
3. Only plug power cord into a grounded outlet.
4. Tie back long hair, roll up sleeves, and DO NOT wear loose clothing, gloves, or jewelry.
5. Disconnect power before setting up, adjusting, or servicing.
6. Rotate workpiece by hand to ensure clearance before starting.
7. Test each new workpiece setup for safe rotation; start with slowest speed and stand to side of lathe until safe rotation verified.
8. Keep all guards and covers in place during operation.
9. Never leave chuck key in chuck.
10. Never leave lathe running unattended.
11. DO NOT reverse spindle rotation while spindle is moving.
12. Properly support long workpieces with an appropriate rest.
13. DO NOT expose to rain or use in wet locations.
14. Prevent unauthorized use by children or untrained users.

1212 **WARNING!** ELECTRICITY

1213 TOUCH-UP PAINT, GRIZZLY GREEN

REF	PART #	DESCRIPTION
1201	P40031201	ELECTRICITY LABEL LARGE
1202	P40031202	FLUID CAPACITY LABEL
1203	P40031203	TRAINED OPERATORS NOTICE LABEL
1204	P40031204	ENTANGLEMENT HAZARD LABEL
1205	P40031205	FACE SHIELD & SAFETY GLASSES LABEL
1206	P40031206	DISCONNECT POWER LABEL
1207	P40031207	READ MANUAL LABEL

REF	PART #	DESCRIPTION
1208	P40031208	IMPACT INJURY HAZARD LABEL
1209	P40031209	SPINDLE SPEED HAZARD LABEL
1210	P40031210	STOP OIL FILL TAG
1211	P40031211	MACHINE ID LABEL
1212	P40031212	ELECTRICITY LABEL SMALL
1213	P40031213	TOUCH-UP PAINT, GRIZZLY GREEN
1214	P40031214	PINCH ENTANGLEMENT HAZARD LABEL

WARNING

Safety labels help reduce the risk of serious injury caused by machine hazards. If any label comes off or becomes unreadable, the owner of this machine **MUST** replace it in the original location before resuming operations. For replacements, contact (800) 523-4777 or www.grizzly.com.

