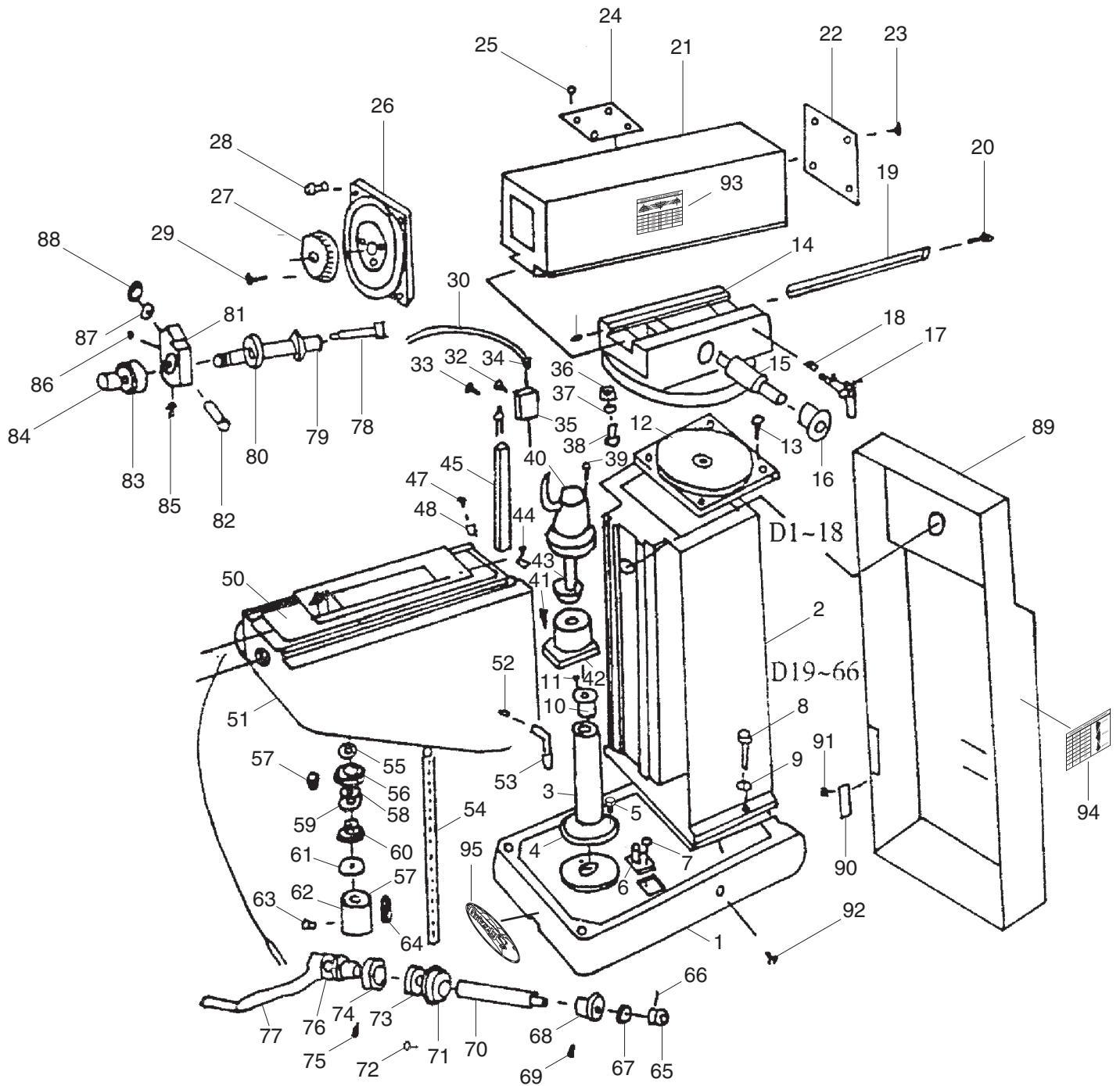


Column Parts Breakdown



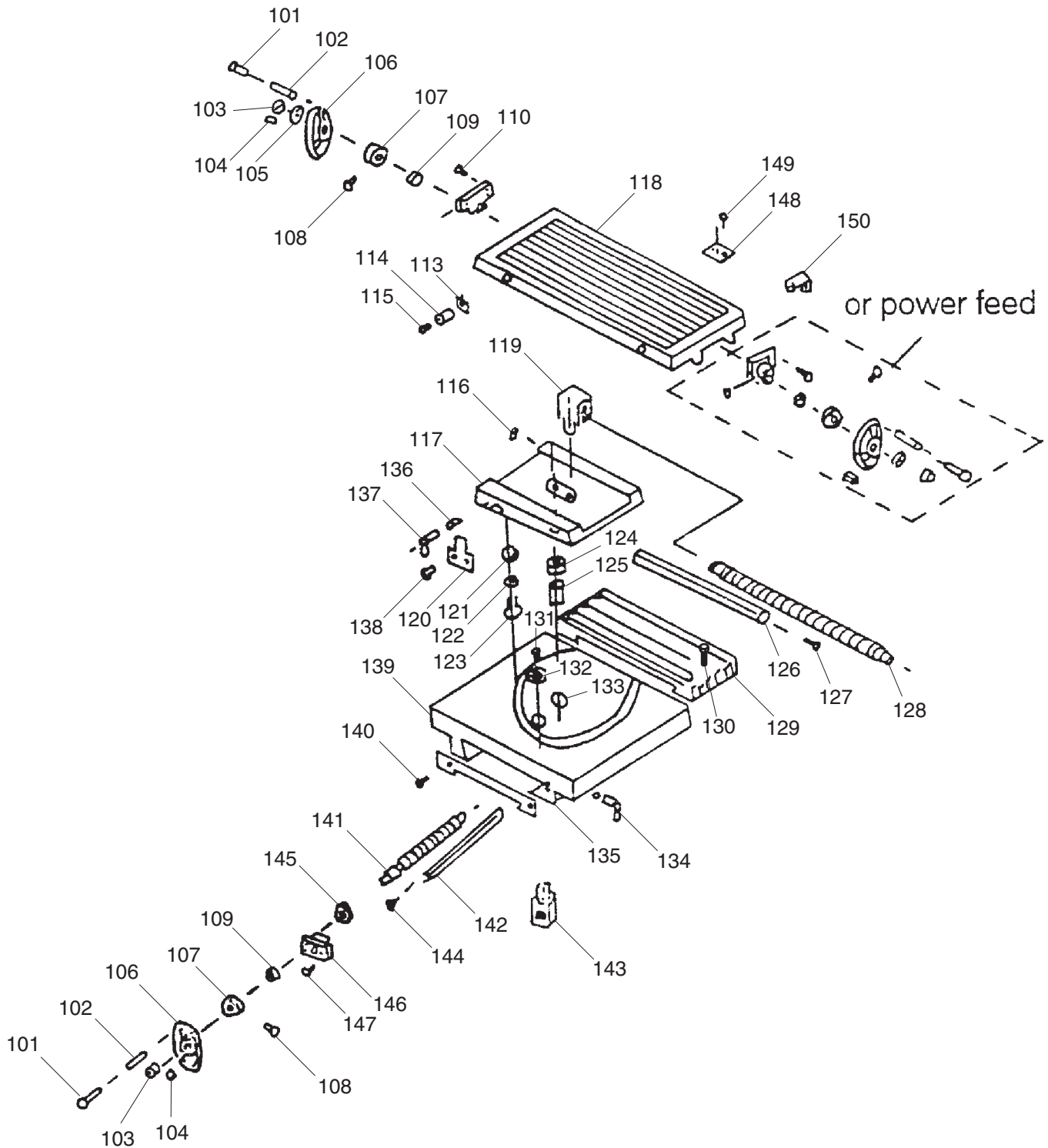
Column Parts List

| REF | PART # | DESCRIPTION |
|-----|----------|-------------------------------|
| 1 | P3616001 | BASE |
| 2 | P3616002 | COLUMN (G3616) |
| 2 | P3617002 | COLUMN (G3617) |
| 3 | P3616003 | ELEVATING SCREW HOUSING |
| 4 | PLW06M | LOCK WASHER 10MM |
| 5 | PB116M | HEX BOLT M10-1.5 x 45 |
| 6 | P3616006 | CONNECT TUBE |
| 7 | PS38M | PHLP HD SCR M4-.7 x 10 |
| 8 | PB131M | HEX BOLT M16-2 X 65 |
| 9 | PLW10M | LOCK WASHER 16MM |
| 10 | P3616010 | COLLAR |
| 11 | PSB31M | CAP SCREW M8-1.25 x 25 |
| 12 | P3616012 | HOLD SUPPORT |
| 13 | PSB77M | CAP SCREW M12-1.75 X 30 |
| 14 | P3616014 | AROUND BRACKET |
| 15 | P3616015 | FEED SHAFT |
| 16 | P3616016 | COLLAR |
| 17 | P3617017 | CLAMP BOLT M12-1.75 X 58 X 25 |
| 18 | P3616018 | CLAMP BLOCK |
| 19 | P3616019 | GIB |
| 20 | PFH42M | FLAT HD SCR M8-1.25 x 40 |
| 21 | P3616021 | OVERARM |
| 22 | P3616022 | COVER |
| 23 | PS08M | PHLP HD SCR M5-.8 X 12 |
| 24 | P3616024 | COVER |
| 25 | PS08M | PHLP HD SCR M5-.8 X 12 |
| 26 | P3616026 | HOLD BRACKET |
| 27 | P3616027 | GEAR |
| 28 | PSB122M | CAP SCREW M16-2 X 50 |
| 29 | PSB123M | CAP SCREW M16-2 X 60 |
| 30 | P3616030 | NOZZLE |
| 31 | P3616031 | OIL CUP |
| 32 | PSB01M | CAP SCREW M6-1 x 16 |
| 33 | PSB01M | CAP SCREW M6-1 x 16 |
| 34 | P3616034 | CONNECT TUBE |
| 35 | P3616035 | HOLD BRACKET |
| 36 | PN13M | HEX NUT M16-2 |
| 37 | PLW10M | LOCK WASHER 16MM |
| 38 | P3616038 | T BOLT M16-2 X 63 |
| 39 | PS08M | PHLP HD SCR M5-.8 X 12 |
| 40 | P3616040 | ELECTRIC PUMP |
| 41 | PB83M | HEX BOLT M6-1 X 16 |
| 42 | P3616042 | SUPPORT |
| 43 | P3616043 | DUST COVER |
| 44 | PS08M | PHLP HD SCR M5-.8 X 12 |
| 45 | P3616045 | GIB |
| 46 | P3616046 | ADJUST SCREW M8-1.25 |
| 47 | PS08M | PHLP HD SCR M5-.8 X 12 |

| REF | PART # | DESCRIPTION |
|-----|----------|----------------------------------|
| 48 | P3616048 | WIPER PLATE |
| 49 | P3616049 | WIPER PLATE |
| 50 | P3616050 | WIPER PLATE |
| 51 | P3616051 | KNEE |
| 52 | P3616052 | CLAMP BLOCK |
| 53 | P3616053 | CLAMP BOLT M10-1.5 x 58 X 25 |
| 54 | P3616054 | HOIST DESCEND LEAD SCREW |
| 55 | P3616055 | CIRCULAR NUT |
| 56 | P3616056 | CONICAL GEAR |
| 57 | PK95M | KEY 6 X 6 X 10 |
| 58 | P3616058 | BALL BEARING 25 X 42 X 11 |
| 59 | P3616059 | ADJUST WASHER |
| 60 | P3616060 | COLLAR |
| 61 | P3616061 | BALL BEARING 25 X 42 X 11 |
| 62 | P3616062 | HEX NUT DIA. 42 X 60MM |
| 63 | PSS16M | SET SCREW M8-1.25 X 10 |
| 64 | PK09M | KEY 8 X 8 X 36 |
| 65 | P3616065 | CONICAL GEAR |
| 66 | PK34M | KEY 5 X 5 X 20 |
| 67 | PW19M | FLAT WASHER 42 x 25 x 3MM |
| 68 | P3616068 | COLLAR |
| 69 | PSS80M | SET SCREW M8-1.25 x 15 |
| 70 | P3616070 | SHAFT |
| 71 | P3616071 | COLLAR |
| 72 | PSB114M | CAP SCREW M6-1 x 22 |
| 73 | P3616073 | BALL BEARING 25 X 42 X 11 |
| 74 | P3616074 | SCALE RING |
| 75 | P3617075 | KNURLED THUMB SCR M6-1 X 10 |
| 76 | P3616076 | COLLAR |
| 77 | P3616077 | HANDLE |
| 78 | P3617078 | LIFT BAR (G3617) |
| 79 | P3617079 | TOOLHOLDER (G3617) |
| 80 | P3617080 | CUTTER BAR COLLAR (G3617) |
| 81 | P3617081 | SUPPORT (G3617) |
| 82 | P3617082 | SPECIAL BOLT M16-2 X 218 (G3617) |
| 83 | P3617083 | COLLAR (G3617) |
| 84 | P3617084 | SPECIAL NUT M22 X 1.5MM (G3617) |
| 85 | PSS06M | SET SCREW M8-1.25 x 16 (G3617) |
| 86 | P3617086 | OIL CUP (G3617) |
| 87 | PW08M | FLAT WASHER 16MM (G3617) |
| 88 | PN13M | HEX NUT M16-2 (G3617) |
| 89 | P3617089 | BEHIND COVER (G3617) |
| 90 | P3617090 | HINGE (G3617) |
| 91 | PFH25M | FLAT HD SCR M4-.7 X 12 (G3617) |
| 92 | PS96M | PHLP HD SCR M10-1.5 x 8 (G3617) |
| 93 | P3616093 | VERTICAL SPINDLE SPEEDS LABEL |
| 94 | P3617094 | HORZ SPINDLE SPEEDS LABEL |
| 95 | G8588 | GRIZZLY CAST IRON LOGO PLATE |



Rotary Table Parts Breakdown



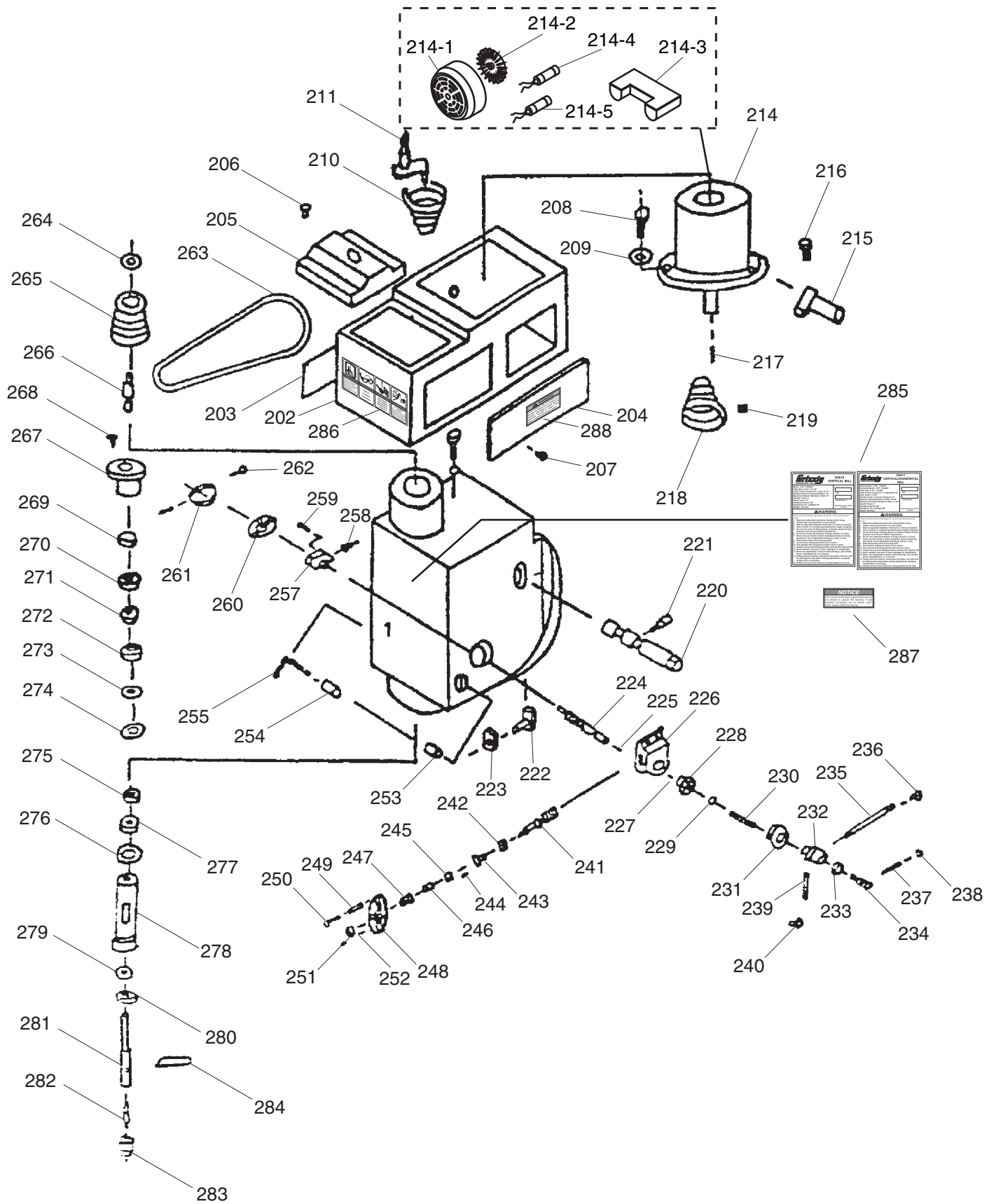
Rotary Table Parts List

| REF | PART # | DESCRIPTION |
|-----|----------|---------------------------|
| 101 | P3616101 | HANDLE |
| 102 | P3616102 | HANDLE COLLAR |
| 103 | PN09M | HEX NUT M12-1.75 |
| 104 | PK96M | KEY 3 X 3 X 20 |
| 105 | PLW05M | LOCK WASHER 12MM |
| 106 | P3616106 | HAND WHEEL |
| 107 | P3616107 | SCALE RING |
| 108 | PSB04M | CAP SCREW M6-1 X 10 |
| 109 | P3616109 | BALL BEARING 17 X 30 X 9 |
| 110 | PSB61M | CAP SCREW M10-1.5 x 20 |
| 111 | P3616111 | SUPPORT |
| 112 | P3616112 | OIL CUP |
| 113 | P3616113 | SCREW BRACKET |
| 114 | P3616114 | DOG |
| 115 | PSB01M | CAP SCREW M6-1 X 16 |
| 116 | P3616116 | OIL CUP |
| 117 | P3617117 | ROTARY BRACKET |
| 118 | P3616118 | TABLE (G3616) |
| 118 | P3617118 | TABLE (G3617) |
| 119 | P3616119 | SPECIAL NUT 1" (LEAD NUT) |
| 120 | P3617120 | LIMIT ASSEMBLY |
| 121 | PN09M | HEX NUT M12-1.75 |
| 122 | PW06M | FLAT WASHER 12MM |
| 123 | P3616123 | T BOLT M12-1.75 X 45 |
| 124 | P3616124 | SHAFT MOUNT |
| 125 | P3616125 | SHAFT |
| 126 | P3616126 | GIB |

| REF | PART # | DESCRIPTION |
|-----|----------|------------------------------|
| 127 | P3616127 | ADJUST SCREW M8-1.25 |
| 128 | P3616128 | LONG LEAD SCREW (G3616) |
| 128 | P3617128 | LONG LEAD SCREW (G3617) |
| 129 | P3617129 | WAY COVER |
| 130 | PS68M | SLOT SCREW M6-1 X 12 |
| 131 | P3616131 | FLAT HD SCR M8-1.25 x 20 |
| 132 | P3616132 | SPECIAL WASHER 32 X 9 X 1.5 |
| 133 | P3616133 | SADDLE |
| 134 | P3616134 | CLAMP BOLT M10-1.5 x 58 X 25 |
| 135 | P3616135 | CARRIAGE CLAMP BLOCK |
| 136 | P3616136 | CLAMP BLOCK |
| 137 | P3616134 | CLAMP BOLT M10-1.5 x 58 X 25 |
| 138 | PB03M | HEX BOLT M8-1.25 X 16 |
| 139 | P3616139 | WIPER PLATE |
| 140 | PS08M | PHLP HD SCR M5-.8 X 12 |
| 141 | P3617141 | CROSS HEAD LEAD SCREW |
| 142 | P3616142 | GIB |
| 143 | P3617143 | SPECIAL NUT 1" |
| 144 | P3616144 | ADJUST SCREW M8-1.25 |
| 145 | P3617145 | BALL BEARING 17 X 30 X 9 |
| 146 | P3616146 | SUPPORT |
| 147 | PSB02M | CAP SCREW M6-1 x 20 |
| 148 | P3616148 | OIL COVER |
| 149 | PS05M | PHLP HD SCR M5-.8 x 8 |
| 150 | P3616150 | CONNECT TUBE |
| 151 | P3616151 | COMPLETE MILLING VISE |



Head Parts Breakdown



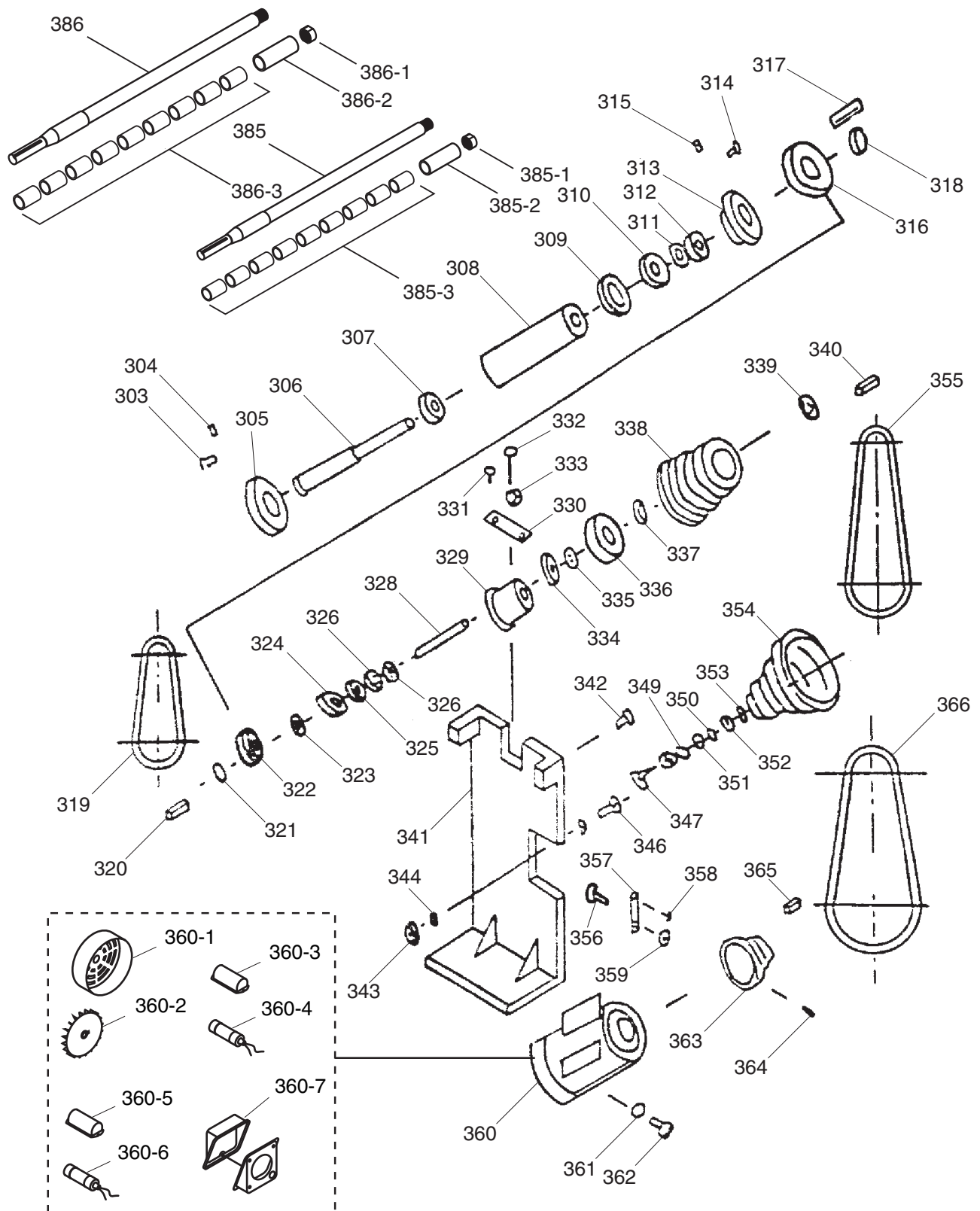
Head Parts List

| REF | PART # | DESCRIPTION |
|-------|------------|---------------------------|
| 201 | P3616201 | SPINDLE BOX |
| 202 | P3616202 | MOTOR BASE |
| 203 | P3616203 | LEFT COVER |
| 204 | P3616204 | RIGHT COVER |
| 205 | P3616205 | PULLEY COVER |
| 206 | PS26M | SLOT HEAD SCREW M6-1 x 20 |
| 207 | P3616207 | KNURLED SCREW M6-1 X 10 |
| 208 | PB74M | HEX BOLT M10-1.5 x 20 |
| 209 | PLW06M | LOCK WASHER 10MM |
| 210 | P3616210 | CENTER PULLEY |
| 211 | P3616211 | CENTER PULLEY SHAFT |
| 212 | PB07M | HEX BOLT M8-1.25 x 25 |
| 213 | PW10M | FLAT WASHER 14MM |
| 214 | P3616214 | MOTOR |
| 214-1 | P3616214-1 | MOTOR FAN COVER |
| 214-2 | P3616214-2 | MOTOR FAN |
| 214-3 | P3616214-3 | CAPACITOR BOX |
| 214-4 | PC150A | S CAPACITOR 150MFD 250VAC |
| 214-5 | PC20A | R CAPACITOR 20MFD 400VAC |
| 215 | P3616215 | HANDLE |
| 216 | PB07M | HEX BOLT M8-1.25 x 25 |
| 217 | PK41M | KEY 8 X 8 X 40 |
| 218 | P3616218 | MOTOR PULLEY |
| 219 | PSS04M | SET SCREW M6-1 X 12 |
| 220 | P3616220 | WORM GEAR |
| 221 | PSB13M | CAP SCREW M8-1.25 x 30 |
| 222 | P3616222 | T BOLT M16-2 X 63 |
| 223 | PN13M | HEX NUT M16-2 |
| 224 | P3616224 | FEED SHAFT |
| 225 | PK09M | KEY 8 X 8 X 36 |
| 226 | P3616226 | HANDLWHEEL GEAR BOX |
| 227 | PSB14M | CAP SCREW M8-1.25 x 20 |
| 228 | P3616228 | BEVEL GEAR |
| 229 | PR15M | EXT RETAINING RING 30MM |
| 230 | P3616230 | COMPRESSION SPRING |
| 231 | P3616231 | SCALE RING |
| 232 | P3616232 | HANDLE BRACKET HUB |
| 233 | P3616233 | COVER |
| 234 | PB133M | HEX BOLT M16-2 X 90 |
| 235 | P3617235 | HANDLE BAR |
| 236 | P3617236 | FEED SHAFT KNOB M12-1.75 |
| 237 | P3616237 | HANDLE |
| 238 | P3616238 | HANDLE COLLAR KNOB |
| 239 | P3616239 | SCALE |
| 240 | P3616240 | RIVET |
| 241 | P3616241 | WORM GEAR |
| 242 | P3616242 | BALL BEARING 15 X 28 X 9 |

| REF | PART # | DESCRIPTION |
|-----|----------|------------------------------|
| 243 | P3616243 | SMALL COVER |
| 244 | PSB26M | CAP SCREW M6-1 X 12 |
| 245 | P3616245 | BALL BEARING 15 X 28 X 9 |
| 246 | P3616246 | COLLAR |
| 247 | P3616247 | SCALE RING |
| 248 | P3617248 | HANDLE WHEEL |
| 249 | P3617249 | HANDLE COLLAR |
| 250 | P3617250 | HANDLE |
| 251 | PN26M | ACORN NUT M12-1.75 |
| 252 | PK97M | KEY 4 X 4 X 14 |
| 253 | P3616253 | CLAMP BLOCK |
| 254 | P3616254 | CLAMP BLOCK |
| 255 | P3616255 | CLAMP HANDLE |
| 257 | P3616257 | SPRING SEAT |
| 258 | PS11M | SCREW M6-1 X 16 |
| 259 | PSS19M | SET SCREW M8-1.25 x 30 |
| 260 | P3616260 | SPRING PLATE |
| 261 | P3616261 | SPRING CAP |
| 262 | PS17M | PHLP HD SCR M4-.7 x 6 |
| 263 | PVB30 | V-BELT B-30 5L300 |
| 264 | P3616264 | SLOTTED LOCK NUT M50 X 1.5MM |
| 265 | P3616265 | SPINDLE PULLEY |
| 266 | P3616266 | SPRING SLEEVE |
| 267 | P3616267 | COLLAR |
| 268 | PSB01M | CAP SCREW M6-1 X 16 |
| 269 | PR67M | INT RETAINING RING 75MM |
| 270 | P6009ZZ | BALL BEARING 6009ZZ |
| 271 | P3616271 | COLLAR |
| 272 | P6009ZZ | BALL BEARING 6009ZZ |
| 273 | PR67M | INT RETAINING RING 75MM |
| 274 | PR56M | EXT RETAINING RING 45MM |
| 275 | P3616275 | PULLEY NUT |
| 276 | PLW13M | LOCK WASHER 40MM |
| 277 | P6003 | BALL BEARING 6003ZZ |
| 278 | P3616278 | QUILL |
| 279 | P3616279 | BALL BEARING 50 X 80 X 20 |
| 280 | P3616280 | DUST COVER |
| 281 | P3616281 | SPINDLE |
| 282 | P3616282 | ARBOR R-8 X |
| 283 | P3616283 | DRILL CHUCK |
| 284 | P3616284 | WEDGE SHIFTER |
| 285 | P3616285 | G3616 MACHINE ID LABEL |
| 285 | P3617285 | G3617 MACHINE ID LABEL |
| 286 | P3616286 | SECONDARY WARNINGS LABEL |
| 287 | P3616287 | PROPER TRAINING NOTICE |
| 288 | P3616288 | BELT GUARD LABEL |



G3617 Horizontal Spindle Parts Breakdown



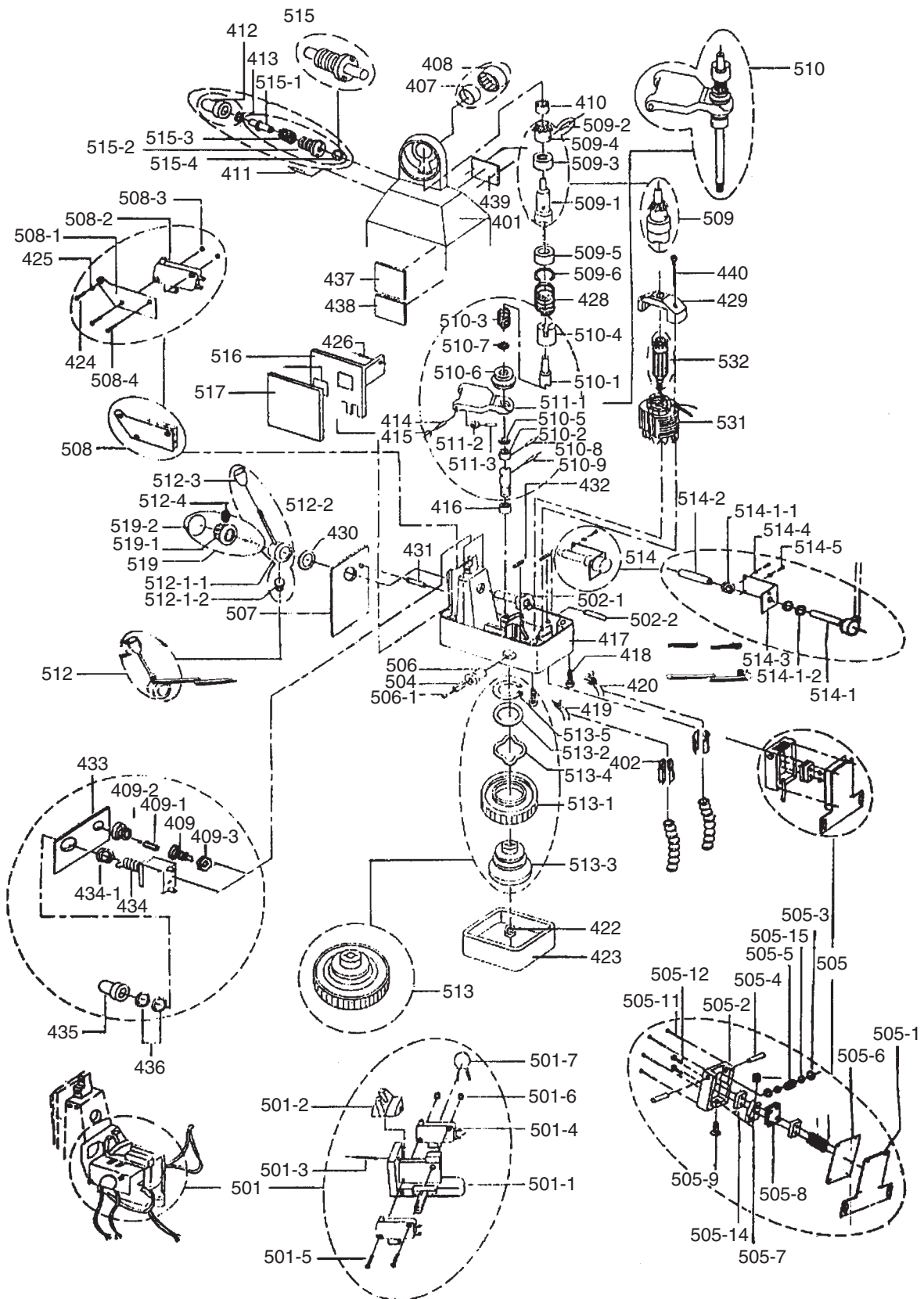
G3617 Horizontal Spindle Parts List

| REF | PART # | DESCRIPTION |
|-----|----------|------------------------------|
| 303 | PSB31M | CAP SCREW M8-1.25 x 25 |
| 304 | P3617304 | OIL CUP |
| 305 | P3617305 | COVER |
| 306 | P3617306 | SPINDLE |
| 307 | P3617307 | BALL BEARING 55 X 90 X 23 |
| 308 | P3617308 | COLLAR |
| 309 | P3617309 | BALL BEARING 40 X 90 X 25 |
| 310 | P3617310 | SPECIAL WASHER 52 X 4 |
| 311 | P3617311 | FLAT WASHER 39MM |
| 312 | P3617312 | SLOTTED LOCK NUT M39 X 1.5MM |
| 313 | P3617313 | COVER |
| 314 | PSB31M | CAP SCREW M8-1.25 x 25 |
| 315 | P3617315 | OIL CUP |
| 316 | P3617316 | SPINDLE PULLEY |
| 317 | PK90M | KEY 10 X 10 X 25 |
| 318 | PR12M | EXT RETAINING RING 35MM |
| 319 | PVA30 | V-BELT A-30 4L300 |
| 320 | PK42M | KEY 6 X 6 X 30 |
| 321 | PR09M | EXT RETAINING RING 20MM |
| 322 | P3617322 | WHEEL |
| 323 | P6003 | BALL BEARING 6003ZZ |
| 324 | P3617324 | BEARING 37MM |
| 325 | P6003 | BALL BEARING 6003ZZ |
| 326 | P3617326 | COLLAR |
| 328 | P3617328 | SMALL SHAFT |
| 329 | P3617329 | COLLAR |
| 330 | P3617330 | SUPPORT |
| 331 | PSB02M | CAP SCREW M6-1 x 20 |
| 332 | PB13M | HEX BOLT M10-1.5 x 80 |
| 333 | PN02M | HEX NUT M10-1.5 |
| 334 | PR25M | INT RETAINING RING 47MM |
| 335 | PR11M | EXT RETAINING RING 25MM |
| 336 | P3617336 | SPECIAL NUT M64 X 2 |
| 337 | PR25M | INT RETAINING RING 47MM |
| 338 | P3617338 | PULLEY |
| 339 | PR11M | EXT RETAINING RING 25MM |
| 340 | P3617340 | KEY 8 X 8 X 50 |
| 341 | P3617341 | MOTOR BASE |
| 342 | PSB124M | CAP SCREW M12-1.75 X 80 |

| REF | PART # | DESCRIPTION |
|-------|------------|---------------------------|
| 343 | PN13M | HEX NUT M16-2 |
| 344 | PW08M | FLAT WASHER 16MM |
| 345 | PW08M | FLAT WASHER 16MM |
| 346 | P3617346 | SMALL SHAFT |
| 347 | P3617347 | CONNECT |
| 349 | P6003 | BALL BEARING 6003ZZ |
| 350 | P3617350 | COLLAR |
| 351 | P6003 | BALL BEARING 6003ZZ |
| 352 | PR18M | EXT RETAINING RING 17MM |
| 353 | PR21M | INT RETAINING RING 35MM |
| 354 | P3617354 | PULLEY |
| 355 | PVA31 | V-BELT A-31 4L310 |
| 356 | P3617356 | ADJUST SCREW M8-1.25 |
| 357 | P3617357 | SUPPORT |
| 358 | PSB02M | CAP SCREW M6-1 x 20 |
| 359 | P3617359 | SPECIAL NUT M8-1.25 |
| 360 | P3617360 | MOTOR |
| 360-1 | P3617360-1 | MOTOR FAN COVER |
| 360-2 | P3617360-2 | MOTOR FAN |
| 360-3 | P3617360-3 | R CAPACITOR COVER |
| 360-4 | PC020B | R CAPACITOR 20MFD 450VAC |
| 360-5 | P3617360-5 | S CAPACITOR COVER |
| 360-6 | PC150A | S CAPACITOR 150MFD 250VAC |
| 360-7 | P3617360-7 | WIRING BOX |
| 361 | PLW04M | LOCK WASHER 8MM |
| 362 | PB07M | HEX BOLT M8-1.25 x 25 |
| 363 | P3617363 | MOTOR WHEEL |
| 364 | PSS04M | SET SCREW M6-1 X 12 |
| 365 | PK43M | KEY 8 X 8 X 45 |
| 366 | PVA31 | V-BELT A-31 4L310 |
| 385 | P3617385 | 1" HORIZONTAL ARBOR |
| 385-1 | P3617385-1 | 1" ARBOR NUT |
| 385-2 | P3617385-2 | 1" ARBOR SLEEVE |
| 385-3 | P3617385-3 | 1" ARBOR SPACER |
| 386 | P3617386 | 1-1/4" HORIZONTAL ARBOR |
| 386-1 | P3617386-1 | 1-1/4" ARBOR NUT |
| 386-2 | P3617386-2 | 1-1/4" ARBOR SLEEVE |
| 386-3 | P3617386-3 | 1-1/4" ARBOR SPACER |



Power Feed Parts Breakdown



Power Feed Parts List

| REF | PART # | DESCRIPTION |
|-------|------------|-------------------------|
| 401 | P3616401 | TOP HOUSING |
| 402 | PN20M | HEX NUT M32-2 |
| 403 | PW20M | FLAT WASHER 35MM |
| 404 | P3616404 | BEVEL GEAR |
| 405 | PW08M | FLAT WASHER 16MM |
| 406 | PLN09 | LOCK NUT M12-1.75 |
| 407 | P3616407 | INNER RING 20/28 |
| 408 | P3616408 | NEEDLE BEARING |
| 409 | P3616409 | CIRCUIT BREAKER SUPPORT |
| 409-1 | P3616409-1 | CIRCUIT BREAKER |
| 409-2 | P3616409-2 | CIRCUIT BREAKER COVER |
| 409-3 | PN09M | HEX NUT M12-1.75 |
| 410 | P3616410 | BUSHING BEARING |
| 411 | P3616411 | LIGHT TRANSMITTER |
| 412 | P3616412 | HEX SEAL BOOT |
| 413 | PN09M | HEX NUT M12-1.75 |
| 414 | P3616414 | LIFT FORK SHAFT |
| 415 | P3616415 | CRESCENT RING |
| 416 | P3616416 | BUSHING BEARING |
| 417 | P3616417 | BOTTOM HOUSING |
| 418 | P3616418 | SPECIAL SCREW |
| 419 | P3616419 | POWER CORD |
| 420 | P3616420 | CONTROL CORD |
| 421 | P3616421 | CORD CLAMP |
| 422 | P3616422 | LOCKING NUT |
| 423 | P3616423 | BOTTOM COVER |
| 424 | PS38M | PHLP HD SCR M4-.7 X 10 |
| 425 | PN04M | HEX NUT M4-.7 |
| 426 | PS17M | PHLP HD SCR M4-.7 X 6 |
| 427 | P3616427 | ADAPTOR |
| 428 | P3616428 | SPRING FOR TOP HOUSING |
| 429 | P3616429 | BEARING MOUNT |
| 430 | PLW02M | LOCK WASHER 4MM |
| 431 | PRP76M | ROLL PIN 4 X 16 |
| 432 | PSS79M | SET SCREW M4-.7 X 6 |
| 433 | P3616433 | LABEL |
| 434 | P3616434 | ON/OFF SWITCH |
| 434-1 | PN09M | HEX NUT M12-1.75 |
| 435 | P3616435 | CAP OF ON/OFF SWITCH |
| 436 | PN09M | HEX NUT M12-1.75 |
| 437 | P3616437 | CAUTION LABEL |
| 438 | P3616438 | LABEL |
| 439 | P3616439 | LABEL |
| 440 | PS94M | PHLP HD SCR M5-.8 X 75 |
| 501 | P3616501 | MICRO SWITCH ASSY |
| 501-1 | P3616501-1 | MICRO SWITCH HOLDER |
| 501-2 | P3616501-2 | SWITCH ACTUATOR |
| 501-3 | P3616501-3 | PIN ACTUATOR |
| 501-4 | P3616501-4 | MICRO SWITCH |

| REF | PART # | DESCRIPTION |
|--------|-------------|-------------------------|
| 501-5 | PS95M | PHLP HD SCR M3-.5 X 30 |
| 501-6 | PN07M | HEX NUT M3-.5 |
| 501-7 | P3616501-7 | CAPACITOR |
| 502-1 | P3616502-1 | CAM ASSEMBLY |
| 502-2 | PRP11M | ROLL PIN 2.5 X 16 |
| 503-1 | P3616503-1 | MOTOR FIELD ASSEMBLY |
| 503-2 | P3616503-2 | ARMATURE ASSEMBLY |
| 504 | P3616504 | BRUSH |
| 505 | P3616505 | LIMIT SWITCH ASSEMBLY |
| 505-1 | P3616505-1 | HOLD PLATE |
| 505-1 | PN07M | HEX NUT M3-.5 |
| 505-11 | PS97M | PHLP HD SCR M3-.5 X 34 |
| 505-12 | PS98M | PHLP HD SCR M3-.5 X 16 |
| 505-13 | PS59M | PHLP HD SCR M3-.5 X 14 |
| 505-14 | P3616505-14 | MICRO SWITCH |
| 505-15 | P3616505-15 | CRESCENT RING |
| 505-2 | P3616505-2 | LIMIT SWITCH HOLDER |
| 505-3 | P3616505-3 | LIMIT PLATE |
| 505-4 | P3616505-4 | ACTUATOR |
| 505-5 | P3616505-5 | SPRING |
| 505-6 | P3616505-6 | LIMIT SWTCH GASKET |
| 505-7 | P3616505-7 | ACTUATOR |
| 505-8 | P3616505-8 | CONNECTING PLATE |
| 505-9 | PS12M | PHLP HD SCR M3-.5 X 6 |
| 506 | P3616506 | BRUSH HOLDER |
| 506-1 | P3616506-1 | BRUSH CAP |
| 507 | P3616507 | ON/OFF NAMPLATE |
| 508 | P3616508 | MICRO SWITCH ASSEMBLY |
| 508-1 | P3616508-1 | MICRO SWITCH HOLDER |
| 508-2 | P3616508-2 | MICRO SWITCH |
| 508-3 | PN07M | HEX NUT M3-.5 |
| 508-4 | PS59M | PHLP HD SCR M3-.5 X 14 |
| 509 | P3616509 | DRIVE GEAR ASSEMBLY |
| 509-1 | P3616509-1 | DRIVE GEAR SHAFT |
| 509-2 | PRP37M | ROLL PIN 3 X 14 |
| 509-3 | P80018 | BALL BEARING 80018 |
| 509-4 | P3616509-4 | DRIVE GEAR |
| 509-5 | P3616509-5 | SPACER |
| 509-6 | PR66M | INT RETAINING RING 25MM |
| 510 | P3616510 | LIFT FORK ASSEMBLY |
| 510-1 | P3616510-1 | DRIVING SHAFT |
| 510-2 | P3616510-2 | SHAFT MOUNT |
| 510-3 | P3616510-3 | SPRING |
| 510-4 | P3616510-4 | CLUTCH |
| 510-5 | PW18M | FLAT WASHER 18MM |
| 510-6 | P3616510-6 | BEARING COVER |
| 510-7 | P3616510-7 | BEARING |
| 510-8 | PRP02M | ROLL PIN 3 X 16 |
| 510-9 | PRP02M | ROLL PIN 3 X 16 |



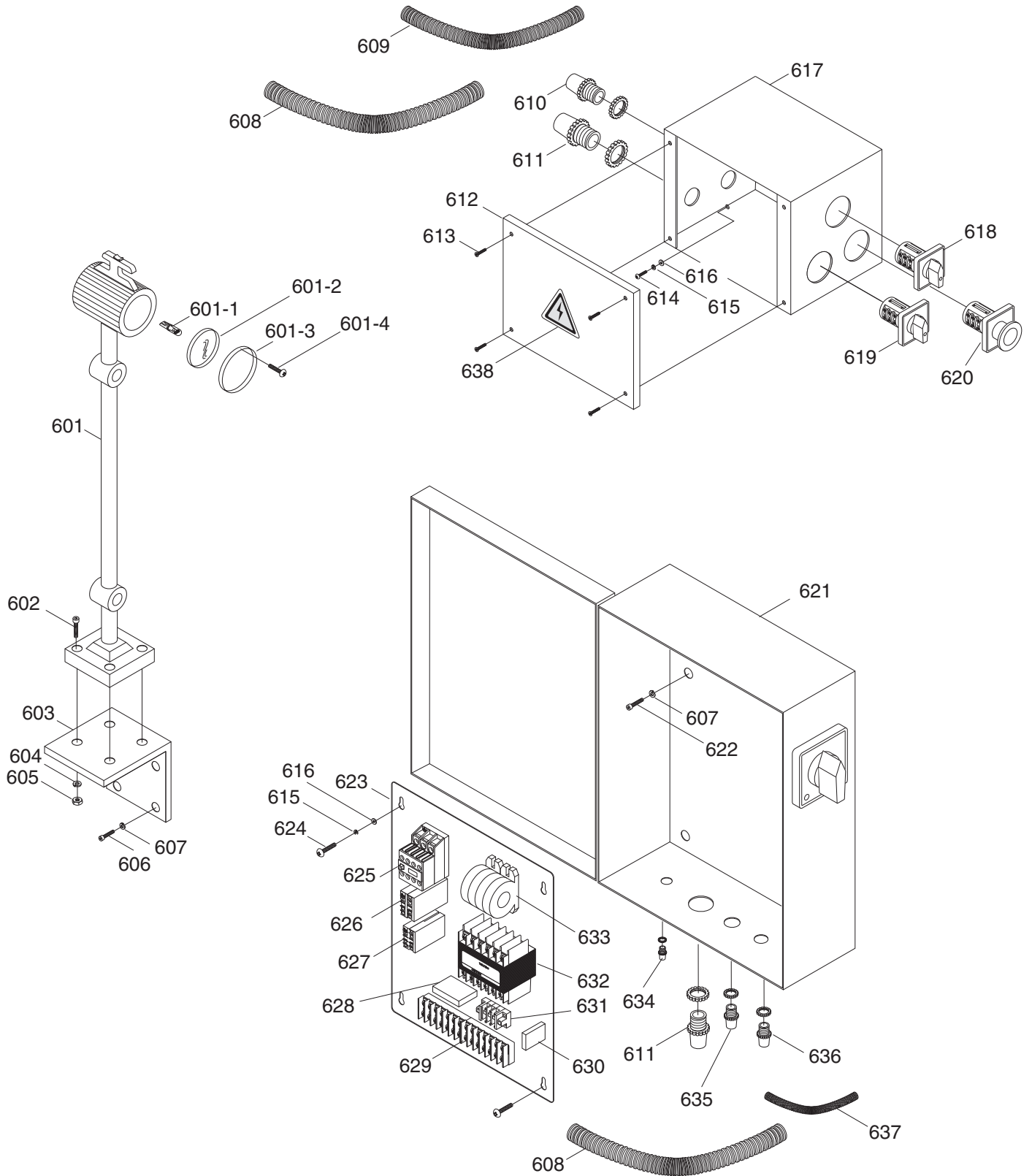
Power Feed Parts List, continued

| REF | PART # | DESCRIPTION |
|-------|------------|---------------------------|
| 511-1 | P3616511-1 | LIFTFORK |
| 511-2 | P3616511-2 | LIFTFORK RING |
| 511-3 | P3616511-3 | PIN, LIFTFORK RING 3 X 14 |
| 512-1 | P3616512-1 | X CONTROL HANDLE ASSY |
| 512-2 | P3616512-2 | Y,Z CONTROL HANDLE ASSY |
| 512-3 | P3616512-3 | HANDLE KNOB M8-1.25 |
| 512-4 | PSS04M | SET SCREW M6-1 X 12 |
| 512-5 | P3616512-5 | CONTROL HANDLE |
| 513 | P3616513 | ZYTEL GEAR ASSEMBLY |
| 513-1 | P3616513-1 | ZYTEL GEAR WITHOUT HUB |
| 513-2 | PW21M | FLAT WASHER 32MM |
| 513-3 | P3616513-3 | HUB OF ZYTEL GEAR |
| 513-4 | P3616513-4 | LOCK WASHER 38MM |
| 513-5 | PR29M | INT RETAINING RING 32MM |
| 514-1 | P3616514-1 | POTENTIOMETER ASSEMBLY |
| 514-2 | P3616514-2 | POTENTIOMETER RING |
| 514-3 | P3616514-3 | POTENTIOMETER SARAIN |
| 514-4 | PW05M | FLAT WASHER 4MM |
| 514-5 | PS17M | PHLP HD SCR M4-.7 X 6 |
| 515 | P3616515 | RAPID SWITCH BUTTON |
| 515-1 | P3616515-1 | RAPID SWITCH PLUNGER |

| REF | PART # | DESCRIPTION |
|---------|--------------|-----------------------------|
| 515-2 | P3616515-2 | RAPID SWITCH HOUSING |
| 515-3 | P3616515-3 | SPRING FOR RAPID SWITCH |
| 515-4 | PEC13M | E-CLIP 5MM |
| 516 | P3616516 | CIRCUIT BOARD ASSEMBLY |
| 517 | P3616517 | CIRCUIT BOARD INSULATOR |
| 518 | P3616518 | TRAVEL STOP ASSEMBLY |
| 518-1 | P3616518-1 | TRAVEL STOP |
| 518-2 | P3616518-2 | TRAVEL STOP BASE |
| 518-3 | P3616518-3 | TRAVEL STOP SHAFT |
| 518-4 | P3616518-4 | SPRING |
| 518-5 | PB07M | HEX BOLT M8-1.25 X 25 |
| 518-6 | P3616518-6 | SPACER |
| 518-7 | PR39M | EXT RETAINING RING 8MM |
| 519 | P3616519 | SPEED CONTROL KNOB ASSEMBLY |
| 519-1 | P3616519-1 | SPEED CONTROL KNOB M6-1 |
| 519-2 | P3616519-2 | SPEED CONTROL LABEL |
| 519-3 | PSS49M | SET SCREW M4-.7 X 16 |
| 512-1-1 | P3616512-1-1 | X CONTROL HANDLE DISC |
| 512-1-2 | P3616512-1-2 | Y,Z CONTROL HANDLE DISC |
| 514-1-1 | PN03M | HEX NUT M8-1.25 |
| 514-1-2 | P3616514-1-2 | POTENTIOMETER WASHER |



G3616 Electrical Parts Breakdown



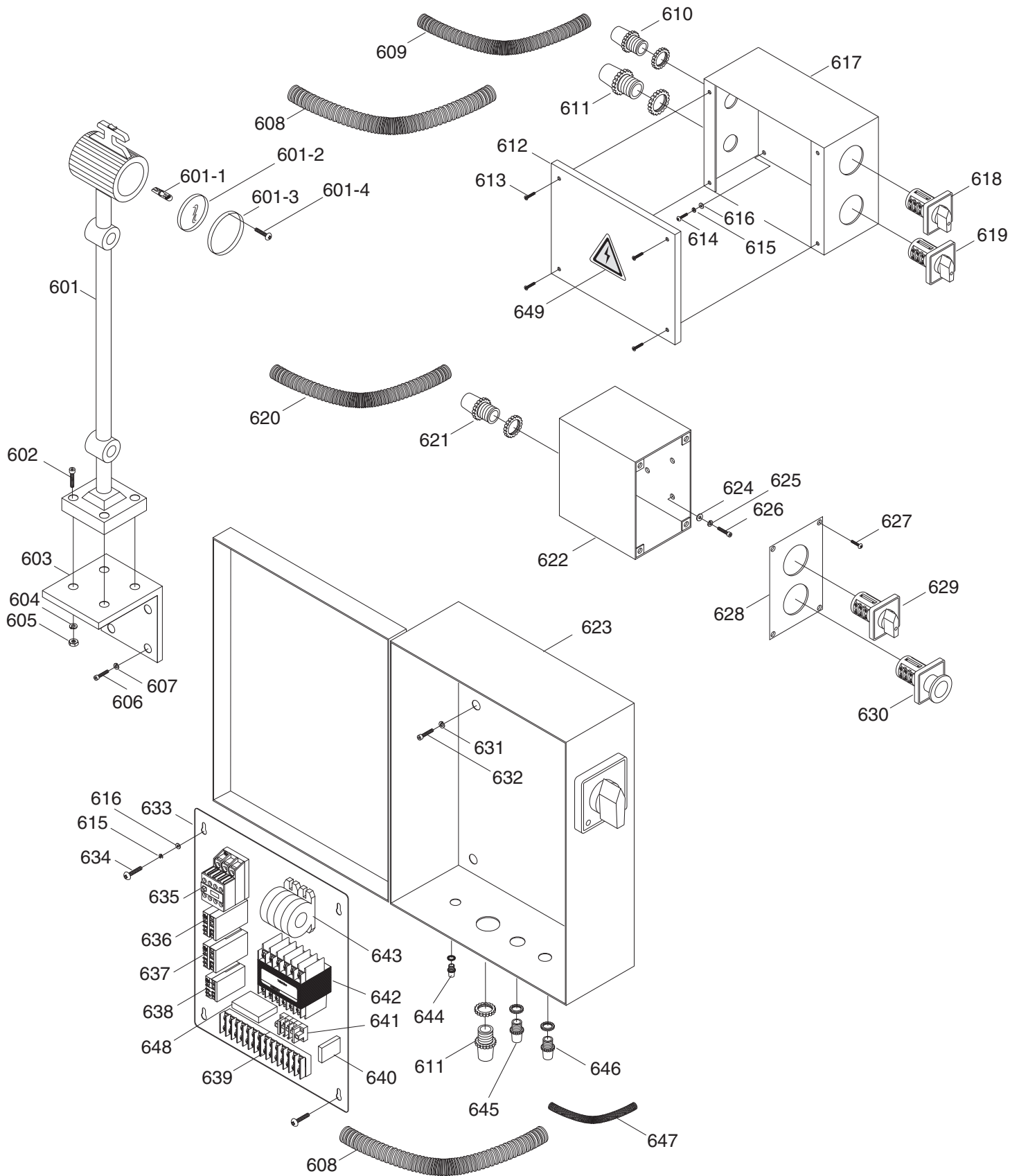
G3616 Electrical Parts List

| REF | PART # | DESCRIPTION |
|-------|------------|----------------------------|
| 601 | P3616601 | HALOGEN LAMP |
| 601-1 | P3616601-1 | BULB |
| 601-2 | P3616601-2 | BULB COVER |
| 601-3 | P3616601-3 | BULB COVER RETAINER |
| 601-4 | PS55M | PHLP HD SCR M3-.5 X 10 |
| 602 | PSB01M | CAP SCREW M6-1 x 16 |
| 603 | P3616603 | LAMP MOUNTING BRACKET |
| 604 | PLW03M | LOCK WASHER 6MM |
| 605 | PN01M | HEX NUT M6-.8 |
| 606 | PSB01M | CAP SCREW M6-1 x 16 |
| 607 | PLW01M | LOCK WASHER 5MM |
| 608 | P3616608 | CONDUIT 20MM |
| 609 | P3616609 | CONDUIT 15MM |
| 610 | P3616610 | STRAIN RELIEF 20MM |
| 611 | P3616611 | STRAIN RELIEF 25MM |
| 612 | P3616612 | VERTICAL SWITCH BOX COVER |
| 613 | PFH31M | FLAT HD SCR M4-.7 X 8 |
| 614 | PS08M | PHLP HD SCR M5-.8 X 12 |
| 615 | PLW01M | LOCK WASHER 5MM |
| 616 | PW02M | FLAT WASHER 5MM |
| 617 | P3616617 | VERTICAL SWITCH BOX |
| 618 | P3616618 | VERT SPINDLE SWITCH M4D035 |
| 619 | P3616619 | COOLANT PUMP SWITCH M2C005 |

| REF | PART # | DESCRIPTION |
|------|-----------|---------------------------------|
| 620 | P3616620 | E-STOP BUTTON LAY3-02ZS/1 |
| 621 | P3616621 | MAIN WIRING BOX W/LATCH |
| 622 | PSB33M | CAP SCREW M5-.8 X 12 |
| 623 | P3616623 | ELECTRICAL BOARD |
| 624 | PS09M | PHLP HD SCR M5-.8 X 10 |
| 625 | P3616625 | CONTACTOR CJX1-32/22 24V |
| 626 | P3616626 | RELAY JR16-20/3D 10-16A 220V |
| 626A | P3616626A | RELAY JR16-20/3D 20-32A 110V |
| 627 | P3616627 | RELAY JR16-20/3D 0.32-0.5A 220V |
| 627A | P3616627A | RELAY JR16-20/3D 0.68-1.1A 110V |
| 628 | P3616628 | CIRCUIT BREAKER DZ47-63(1P,3A) |
| 629 | P3616629 | LARGE TERMINAL BAR |
| 630 | P3616630 | MICRO SWITCH |
| 631 | P3616631 | SMALL TERMINAL BAR |
| 632 | P3616632 | TRANSFORMER |
| 633 | P3616633 | MAIN SWITCH W/KNOB |
| 634 | P3616634 | STRAIN RELIEF 6.5MM |
| 635 | P3616635 | STRAIN RELIEF 15MM |
| 636 | P3616636 | STRAIN RELIEF 13MM |
| 637 | P3616637 | CONDUIT 10MM |
| 638 | PLABEL-14 | ELECTRICITY LABEL |
| 650 | P3616650 | 110V CONVERSION KIT |



G3617 Electrical Parts Breakdown



G3617 Electrical Parts List

| REF | PART # | DESCRIPTION |
|-------|------------|----------------------------|
| 601 | P3616601 | HALOGEN LAMP |
| 601-1 | P3616601-1 | BULB |
| 601-2 | P3616601-2 | BULB COVER |
| 601-3 | P3616601-3 | BULB COVER RETAINER |
| 601-4 | PS55M | PHLP HD SCR M3-.5 X 10 |
| 602 | PSB33M | CAP SCREW M5-.8 X 12 |
| 603 | P3616603 | LAMP MOUNTING BRACKET |
| 604 | P3616604 | LOCK WASHER 5MM |
| 605 | PN06M | HEX NUT M5-.8 |
| 606 | P3616606 | CAP SCREW M5 |
| 607 | PLW01M | LOCK WASHER 5MM |
| 608 | P3616608 | CONDUIT 20MM |
| 609 | P3616609 | CONDUIT 15MM |
| 610 | P3616610 | STRAIN RELIEF 20MM |
| 611 | P3616611 | STRAIN RELIEF 25MM |
| 612 | P3616612 | VERTICAL SWITCH BOX COVER |
| 613 | PFH31M | FLAT HD SCR M4-.7 X 8 |
| 614 | PS08M | PHLP HD SCR M5-.8 X 12 |
| 615 | PLW01M | LOCK WASHER 5MM |
| 616 | PW02M | FLAT WASHER 5MM |
| 617 | P3617617 | VERTICAL SWITCH BOX |
| 618 | P3616618 | VERT SPINDLE SWITCH M4D035 |
| 619 | P3616619 | COOLANT PUMP SWITCH M2C005 |
| 620 | P3616609 | CONDUIT 15MM |
| 621 | P3616610 | STRAIN RELIEF 20MM |
| 622 | P3617622 | HORIZONTAL SWITCH BOX |
| 623 | P3616623 | MAIN WIRING BOX W/LATCH |
| 624 | PW02M | FLAT WASHER 5MM |
| 625 | PLW01M | LOCK WASHER 5MM |

| REF | PART # | DESCRIPTION |
|------|-----------|---------------------------------|
| 626 | PSB33M | CAP SCREW M5-.8 X 12 |
| 627 | PS07M | PHLP HD SCR M4-.7 X 8 |
| 628 | P3617628 | HORZ SWITCH BOX COVER |
| 629 | P3616618 | HORIZ SPINDLE SWITCH M4D035 |
| 630 | P3616620 | E-STOP BUTTON LAY3-02ZS/1 |
| 631 | PLW01M | LOCK WASHER 5MM |
| 632 | PS09M | PHLP HD SCR M5-.8 X 10 |
| 633 | P3617633 | ELECTRICAL BOARD |
| 634 | PS09M | PHLP HD SCR M5-.8 X 10 |
| 635 | P3616625 | CONTACTOR CJX1-32/22 24V |
| 636 | P3617626 | RELAY JR16-20/3D 10-16A 220V |
| 636A | P3616626A | RELAY JR16-20/3D 20-32A 110V |
| 637 | P3616637 | RELAY JR16-20/3D 6.8-11A 220V |
| 637A | P3616626A | RELAY JR16-20/3D 20-32A 110V |
| 638 | P3616627 | RELAY JR16-20/3D 0.32-0.5A 220V |
| 638A | P3616627A | RELAY JR16-20/3D 0.68-1.1 110V |
| 639 | P3616629 | LARGE TERMINAL BAR |
| 640 | P3616630 | MICRO SWITCH |
| 641 | P3616631 | SMALL TERMINAL BAR |
| 642 | P3616632 | TRANSFORMER |
| 643 | P3616633 | MAIN SWITCH W/KNOB |
| 644 | P3616634 | STRAIN RELIEF 6.5MM |
| 645 | P3616635 | STRAIN RELIEF 15MM |
| 646 | P3616636 | STRAIN RELIEF 13MM |
| 647 | P3616637 | CONDUIT 10MM |
| 648 | P3616628 | CIRCUIT BREAKER DZ47-63(1P,3A) |
| 649 | PLABEL-14 | ELECTRICITY LABEL |
| 650 | P3617650 | 110V CONVERSION KIT |

