

Grizzly *Industrial, Inc.*®

14" Z-SERIES BANDSAW

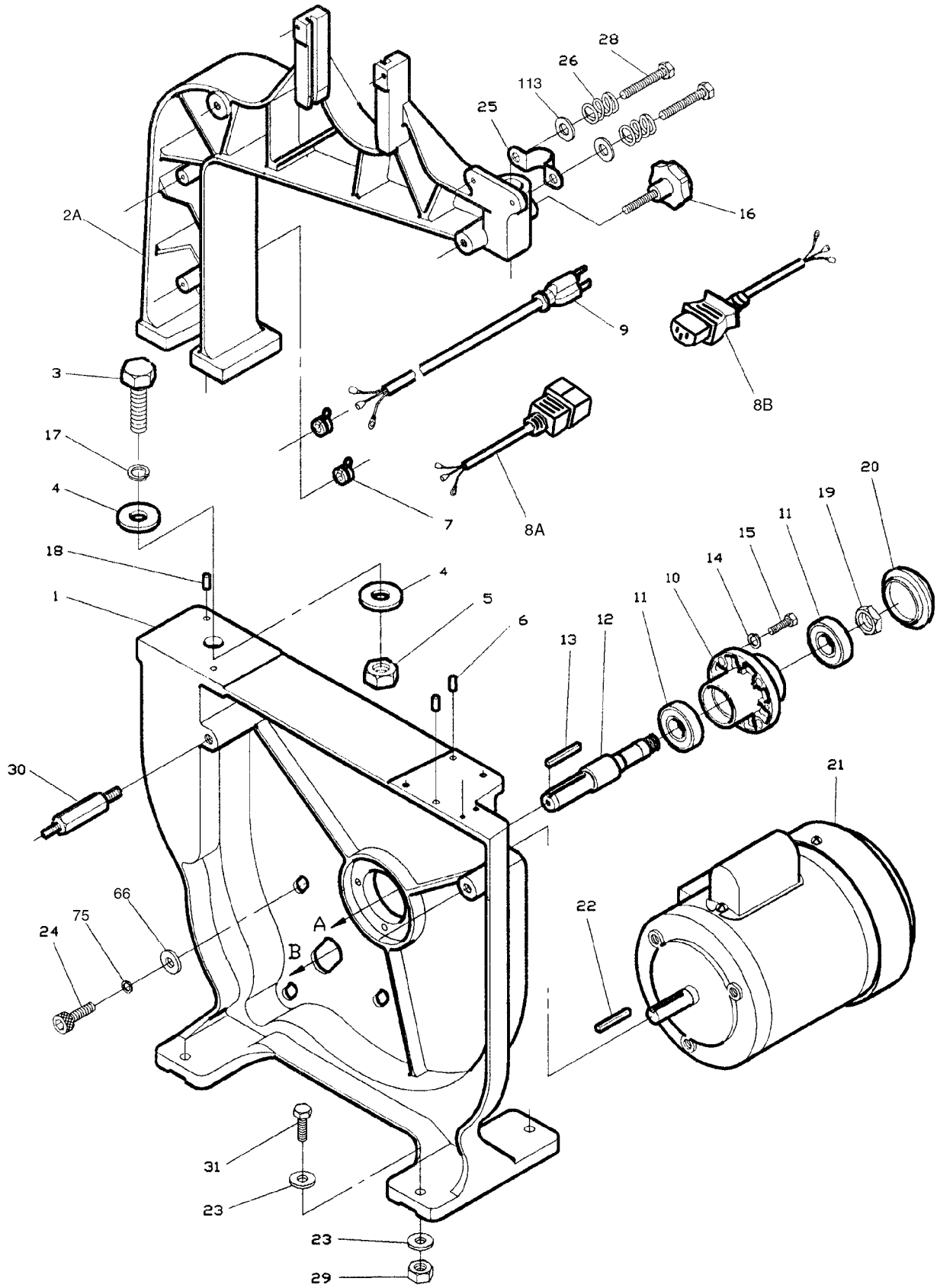
MODEL G1019Z PARTS LIST

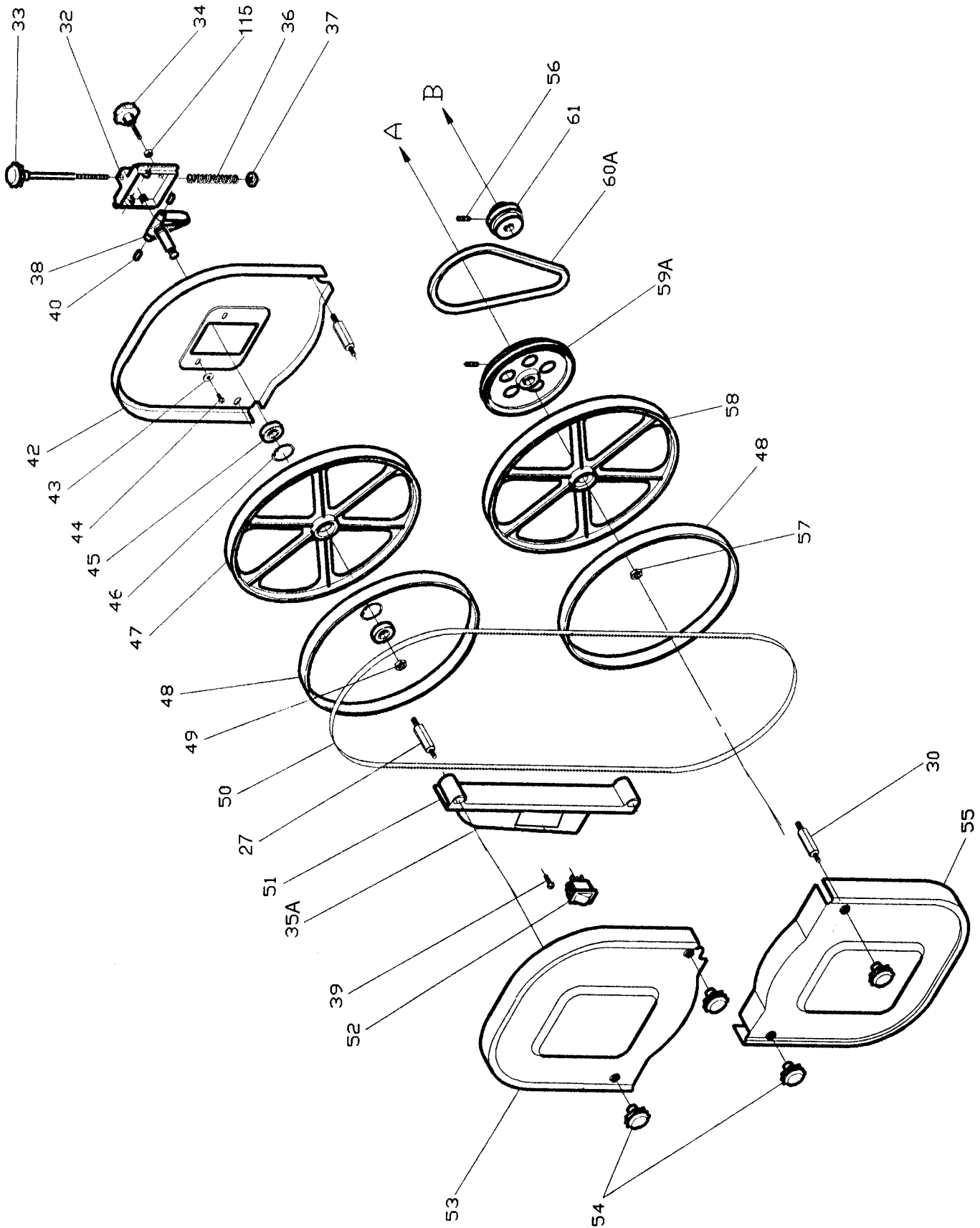


COPYRIGHT © 1992 BY GRIZZLY INDUSTRIAL, INC.
WARNING: NO PORTION OF THIS MANUAL MAY BE REPRODUCED IN ANY SHAPE
OR FORM WITHOUT THE WRITTEN APPROVAL OF GRIZZLY INDUSTRIAL, INC.
REVISED JULY, 2001 PRINTED IN TAIWAN

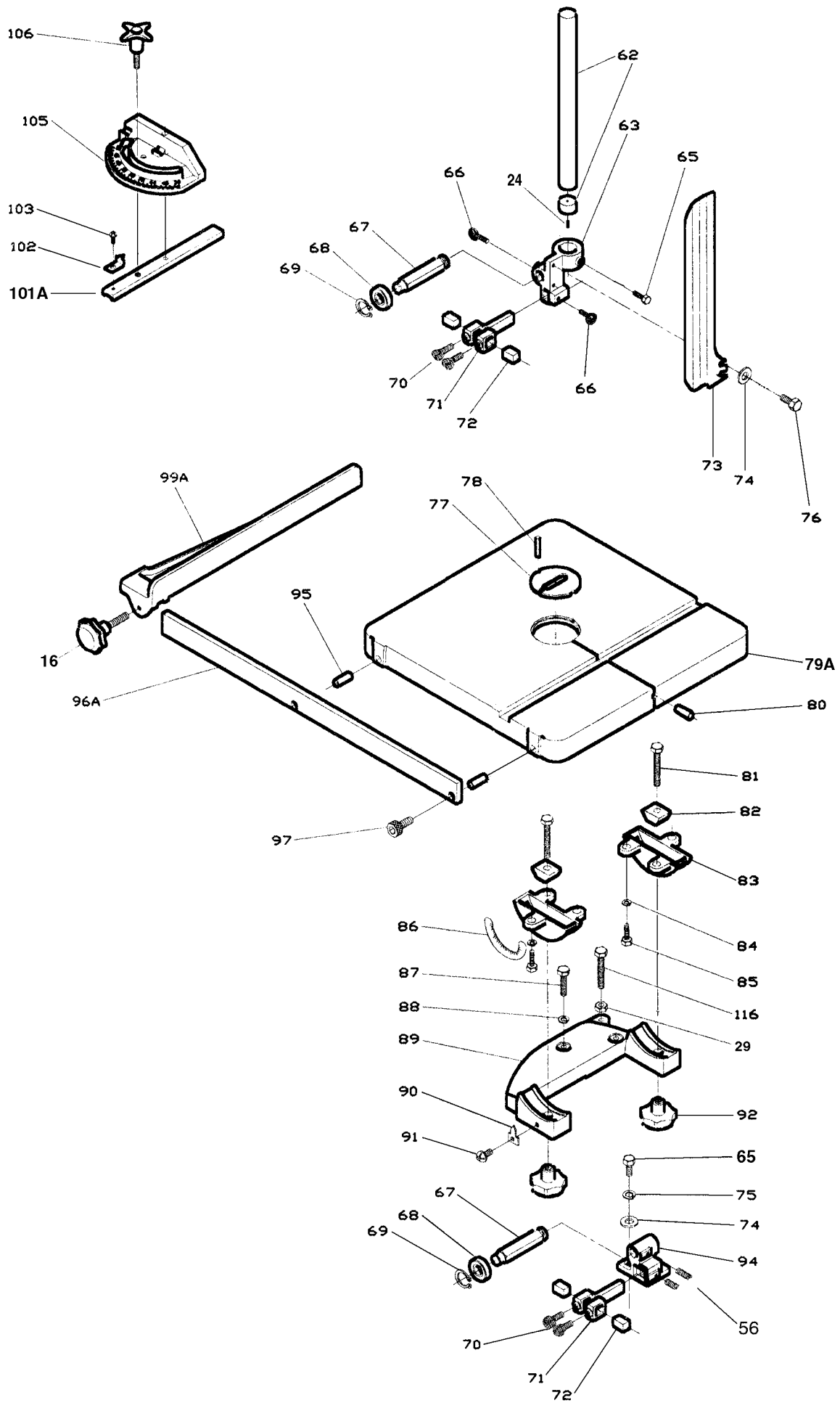
PARTS LIST DISCLAIMER

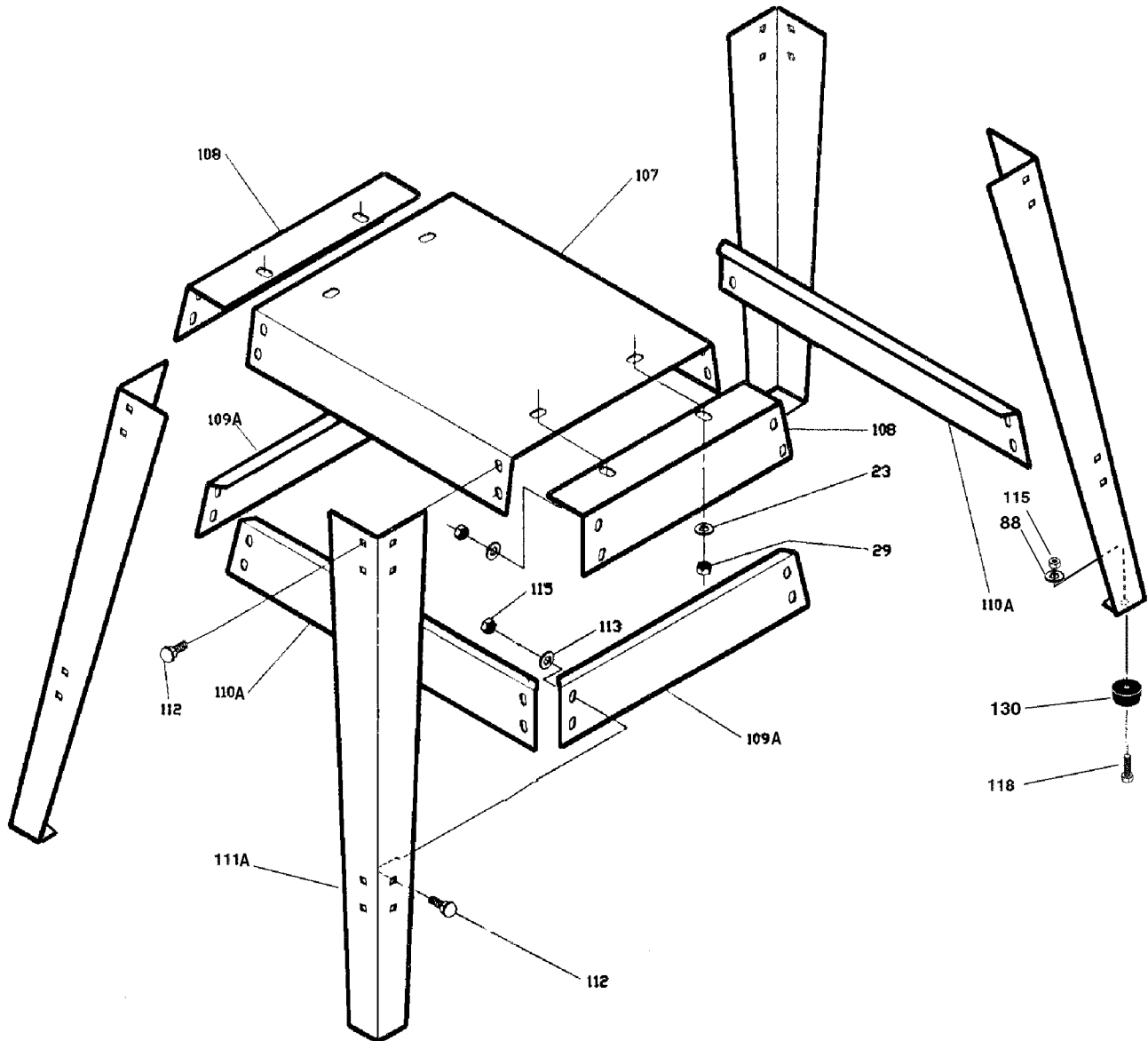
THIS PARTS LIST AND DRAWINGS REPRESENT THE CONFIGURATION OF THE MACHINE AS IT IS CURRENTLY BEING SHIPPED. THE MACHINE CONFIGURATION CAN CHANGE AS PRODUCT IMPROVEMENTS ARE INCORPORATED. IF YOU OWN AN EARLIER VERSION OF THE MACHINE, THIS PARTS LIST MAY NOT DEPICT YOUR MACHINE EXACTLY. CONTACT CUSTOMER SERVICE IF YOU HAVE ANY QUESTIONS ABOUT PART DIFFERENCES. PREVIOUS PARTS LIST VERSIONS ARE NOT AVAILABLE ONLINE.





Model G1019Z 14" Bandsaw





PARTS LIST

| REF | PART # | DESCRIPTION |
|-----|------------|----------------------------|
| 1 | P1019Z001 | BODY |
| 2A | P1019Z002A | ARM |
| 3 | PB64 | HEX BOLT 5/8"-11 x 2 1/2" |
| 4 | PW14 | WASHER 5/8" |
| 5 | PN06 | HEX NUT 5/8"-11 |
| 6 | P1019Z006 | PIN 6 x 16 |
| 7 | P1019Z007 | CORD HOLDER 1/2" |
| 8A | PWRCRDPLUG | POWER CORD W/PLUG |
| 8B | PWRCRDRECP | POWER CORD W/RECP |
| 9 | PWRCRD110L | POWER CORD 110V, LONG |
| 10 | P1019Z010 | BEARING BASE |
| 11 | P6203 | BALL BEARING 6203ZZ |
| 12 | P1019Z012 | SHAFT |
| 13 | P1019Z013 | KEY 5 x 5 x 30 |
| 14 | PLW01 | LOCK WASHER 5/16" |
| 15 | PSB03 | CAP SCREW 5/16"-18 x 1 |
| 16 | P1019Z016 | KNOB BOLT 5/16" x 1" |
| 17 | PLW06 | LOCK WASHER 5/8" |
| 18 | P1019Z018 | PIN 5 x 25 |
| 19 | P1019Z019 | JAM NUT 3/4"-16 RH |
| 20 | P1019Z020 | BEARING COVER |
| 21 | P1019Z021 | MOTOR |
| 22 | PK34M | KEY 5 x 5 x 20 |
| 23 | PW02 | WASHER 3/8" |
| 24 | PSB06 | CAP SCREW 1/4"-20 x 7/8" |
| 25 | P1019Z025 | BAR SETTING PLATE |
| 26 | P1019Z026 | SPRING |
| 27 | P1019Z027 | GUARD SLEEVE (L) |
| 28 | PB12 | HEX BOLT 5/16"-18 x 1 1/4" |
| 29 | PN08 | HEX NUT 3/8"-16 |
| 30 | P1019Z030 | GUARD SLEEVE (S) |
| 31 | PB16 | HEX BOLT 3/8"-16 x 1 1/2" |
| 32 | P1019Z032 | SLIDING BRACKET |
| 33 | P1019Z033 | BLADE ADJUSTING SCREW |
| 34 | P1019Z034 | KNOB SCREW |
| 35A | P1019Z035A | SWITCH PLATE (N/S) |
| 36 | P1019Z036 | SPRING |
| 37 | P1019Z037 | SQUARE NUT 3/8"-16 |
| 38 | P1019Z038 | SHAFT HINGE W/ SHAFT |
| 39 | P1019Z039 | PHLP HD SCREW 3/16" x 1/2" |
| 40 | P1019Z040 | STEEL PIN |
| 42 | P1019Z042 | INNER WHEEL COVER |
| 43 | PW06 | WASHER 1/4" |
| 44 | PS01 | PHLP HD SCREW 10-24 x 1/2" |
| 45 | P6202 | BALL BEARING 6202 |
| 46 | P1019Z046 | RETAINING RING R35 |
| 47 | P1019Z047 | UPPER WHEEL |
| 48 | P1019Z048 | WHEEL PROTECTOR |
| 49 | P1019Z049 | HEX NUT 1/2" RH |
| 50 | P1019Z050 | BLADE |
| 51 | P1019Z051 | BLADE GUARD |
| 52 | PSW06 | SWITCH 110/220V |
| 53 | P1019Z053 | UPPER WHEEL COVER |
| 54 | P1019Z054 | CATCH KNOB |
| 55 | P1019Z055 | LOWER WHEEL COVER |
| 56 | PSS11 | SETSCREW 1/4"-20 x 1/4" |
| 57 | P107383A | JAM NUT 3/4"-16 LH |
| 58 | P1019Z058 | LOWER WHEEL |
| 59A | P1019Z059A | BELT PULLEY (N/S) |

| REF | PART # | DESCRIPTION |
|------|------------|-------------------------------|
| 60A | PVM25 | V-BELT M-25 3L250 |
| 61 | P1019Z061 | MOTOR PULLEY |
| 62 | P1019Z062 | ECCENTRIC GUIDE POST |
| 63 | P1019Z063 | UPPER SUPPORT BRACKET |
| 64 | PN05 | NUT 1/4"-20 |
| 65 | PB05 | HEX BOLT 1/4"-20 x 3/4" |
| 66 | P1019Z066 | THUMB SCREW 1/4"-20 x 3/4" |
| 67 | P1019Z067 | UPPER SPACING SLEEVE |
| 68 | P6200ZZ | BALL BEARING 6200ZZ |
| 69 | P1019Z069 | C-RING S10 |
| 70 | P1019Z070 | THUMB SCREW 1/4"-20 x 1/2" |
| 71 | P1019Z071 | SUPPORT BRACKET |
| 72 | P1019Z072 | GUIDE BLOCK |
| 73 | P1019Z073 | UPPER BLADE GUIDE |
| 74 | PW06 | FLAT WASHER 1/4" |
| 75 | PLW02 | LOCK WASHER 1/4" |
| 76 | PB51 | HEX BOLT 1/4"-20 x 3/8" |
| 77 | P1019Z077 | TABLE INSERT |
| 78 | PRP15M | ROLL PIN 3 x 8 |
| 79A | P1019Z079A | TABLE |
| 80 | P1019Z080 | TABLE PIN |
| 81 | PB35 | HEX BOLT 3/8"-16 x 2 1/2" |
| 82 | P1019Z082 | TRUNNION CLAMP SHOE |
| 83 | P1019Z083 | TRUNNION |
| 84 | PLW02 | LOCK WASHER 1/4" |
| 85 | P1019Z085 | HEX BOLT 1/4"-20 x 5/8" |
| 86 | P1019Z086 | SCALE |
| 87 | PB12 | HEX BOLT 5/16"-18 x 1 1/4" |
| 88 | PW07 | FLAT WASHER 5/16" |
| 89 | P1019Z089 | TABLE BRACKET |
| 90 | P1019Z090 | POINTER |
| 91 | PS01 | PHLP HD SCREW 10-24 x 1/2" |
| 92 | P1019Z092 | LOCKING KNOB |
| 93 | PB60 | HEX BOLT 3/8"-16 x 3" |
| 94 | P1019Z094 | LWR SUPPORT BRKT POST |
| 95 | P1019Z095 | SPACER |
| 96 | P1019Z096 | FENCE RAIL |
| 97 | PSB07M | CAP SCREW M6-1 x 30 |
| 98 | P1019Z098 | RAIL CAP |
| 99 | P1019Z099 | FENCE ASSEMBLY |
| 100 | P1019Z100 | LOCKING KNOB BOLT |
| 101A | P1019Z101A | GAUGE BAR |
| 102 | P1019Z102 | POINTER |
| 103 | P1019Z103 | PANHEAD SCREW |
| 105 | P1019Z105 | GAUGE |
| 106 | P1019Z106 | LOCKING BOLT |
| 107 | P1019Z107 | STAND TOP PLATE |
| 108 | P1019Z108 | UPPER SIDE BRACE |
| 109A | P1019Z109A | LOWER SIDE BRACE |
| 110A | P1019Z110A | LOWER BRACE |
| 111A | P1019Z111A | STAND LEG |
| 112 | PCB02 | CARRIAGE BOLT 5/16"-18 x 1/2" |
| 113 | PW07 | FLAT WASHER 5/16" |
| 114 | PLW01 | LOCK WASHER 5/16" |
| 115 | PN02 | HEX NUT 5/16"-18 |
| 116 | P1019Z116 | HEX BOLT 3/8"-16 x 3" |
| 118 | PB03 | HEX BOLT 5/16"-18 x 1" |
| 130 | P1019Z130 | RUBBER FOOT |