

READ THIS FIRST



Model G0643

IMPORTANT UPDATE

For Machines Mfd. Since 05/25
and Owner's Manual Revised 11/17

For questions or help with this product contact Tech Support at (570) 546-9663 or techsupport@grizzly.com

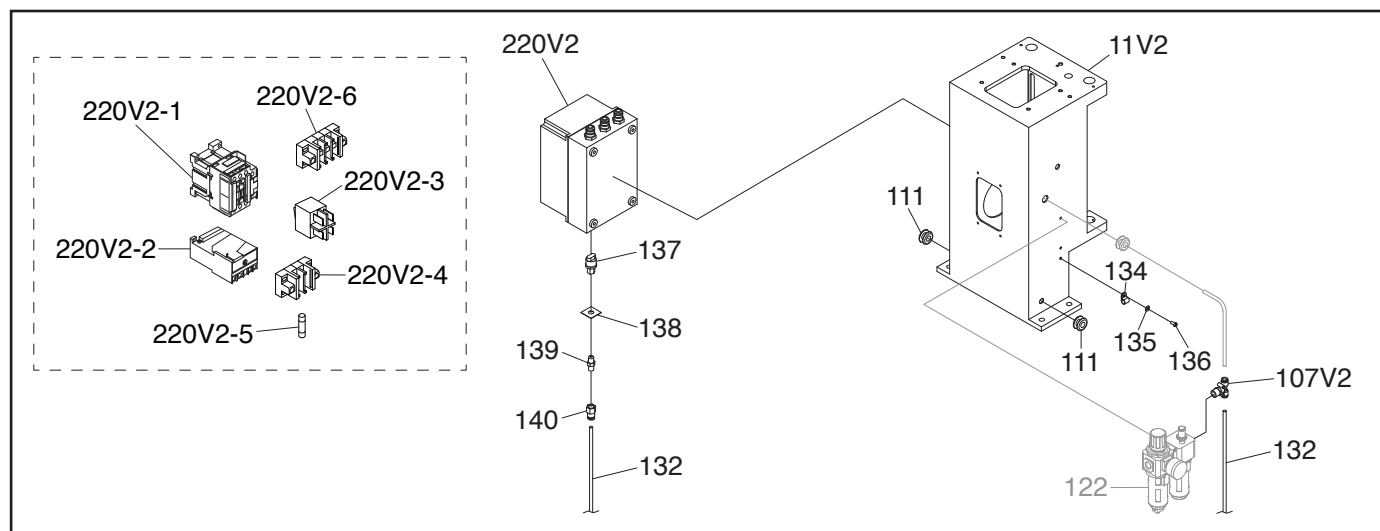
The following changes were recently made since the owner's manual was printed:

- Pressure switch added.
- Parts have changed.
- Test Run has changed.
- Electrical Components and Wiring Diagrams have changed.

Aside from this information, all other content in the owner's manual applies and MUST be read and understood for your own safety. **IMPORTANT: Keep this update with the owner's manual for future reference.**

For questions or help, contact our Tech Support at (570) 546-9663 or techsupport@grizzly.com.

Revised Parts



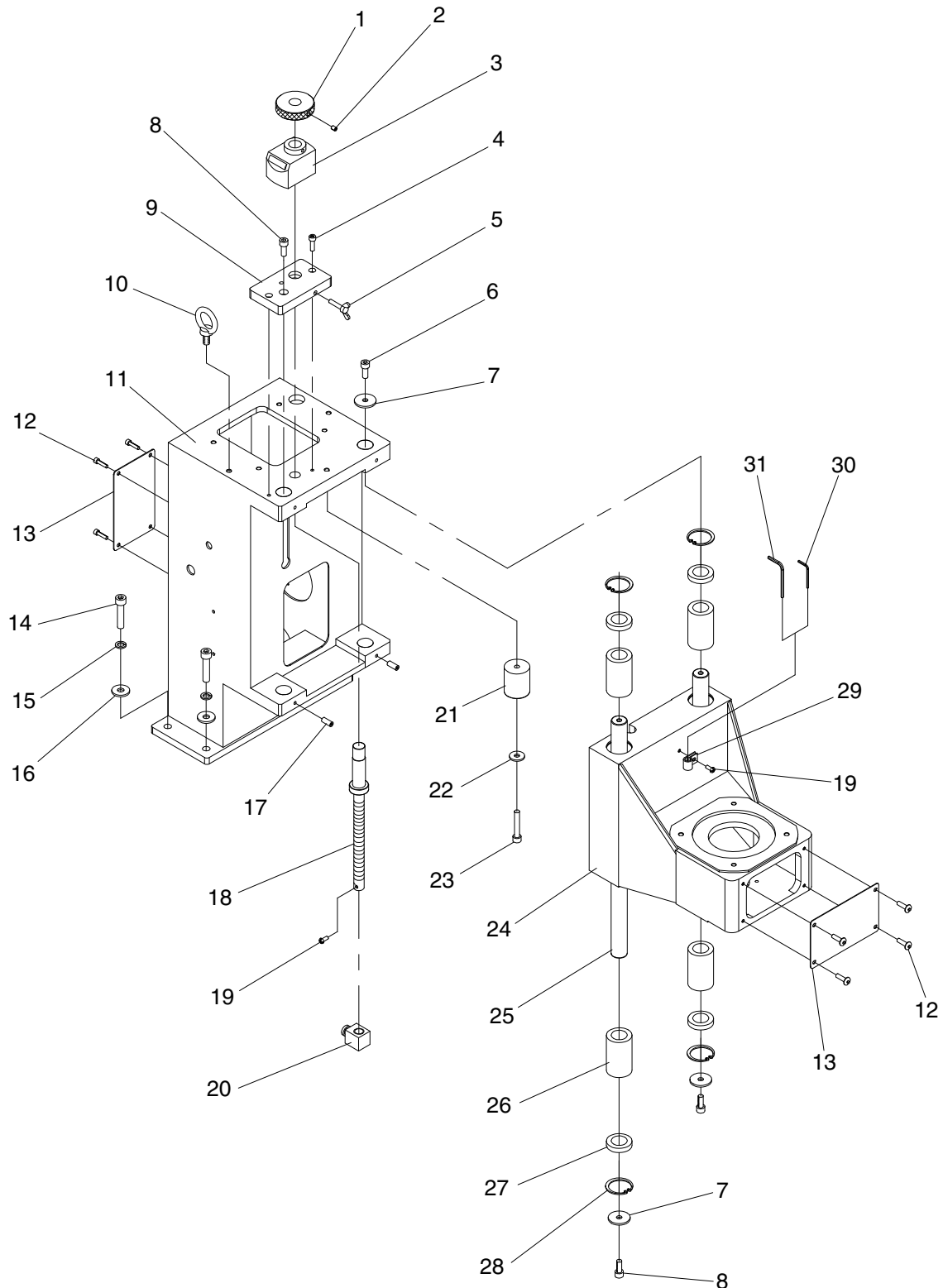
REF	PART #	DESCRIPTION
11V2	P0643011V2	COLUMN V2.05.25
107V2	P0643107V2	TEE ADAPTER 3/8" PT X 8MM X 8MM V2.05.25
111	P0643111	RUBBER GROMMET
132	P0643132	PU TUBE 5 X 8 X 650MM
134	P0643134	CABLE CLAMP 3/8"
135	P0643135	FLAT WASHER 5MM
136	P0643136	PHLP HD SCR M5-.8 X 12
137	P0643137	PRESSURE SWITCH SUPCO SLP-2550
138	P0643138	PRESSURE SWITCH GASKET

REF	PART #	DESCRIPTION
139	P0643139	PIPE FITTING 1/4" PT
140	P0643140	PIPE ADAPTER 1/4" PT X 8MM
220V2	P0643220V2	ELECTRICAL BOX 220V V2.05.25
220V2-1	P0643220V2-1	CONTACTOR TECO CN18 220V
220V2-2	P0643220V2-2	OL RELAY TECO RHU-10K/12.5K1 8.5-12.5A
220V2-3	P0643220V2-3	RELAY IDEC RU25-NF-A220 10A 250VAC
220V2-4	P0643220V2-4	FUSE HOLDER
220V2-5	P0643220V2-5	FUSE 3A 250V 0.18" FAST-ACTING, GLASS
220V2-6	P0643220V2-6	TERMINAL BLOCK 6 POLE

COPYRIGHT © NOVEMBER, 2025 BY GRIZZLY INDUSTRIAL, INC.
**WARNING: NO PORTION OF THIS MANUAL MAY BE REPRODUCED IN ANY SHAPE
OR FORM WITHOUT THE WRITTEN APPROVAL OF GRIZZLY INDUSTRIAL, INC.**
#KS23742 PRINTED IN TAIWAN

SECTION 8: PARTS

Column Breakdown



BUY PARTS ONLINE AT GRIZZLY.COM!
Scan QR code to visit our Parts Store.



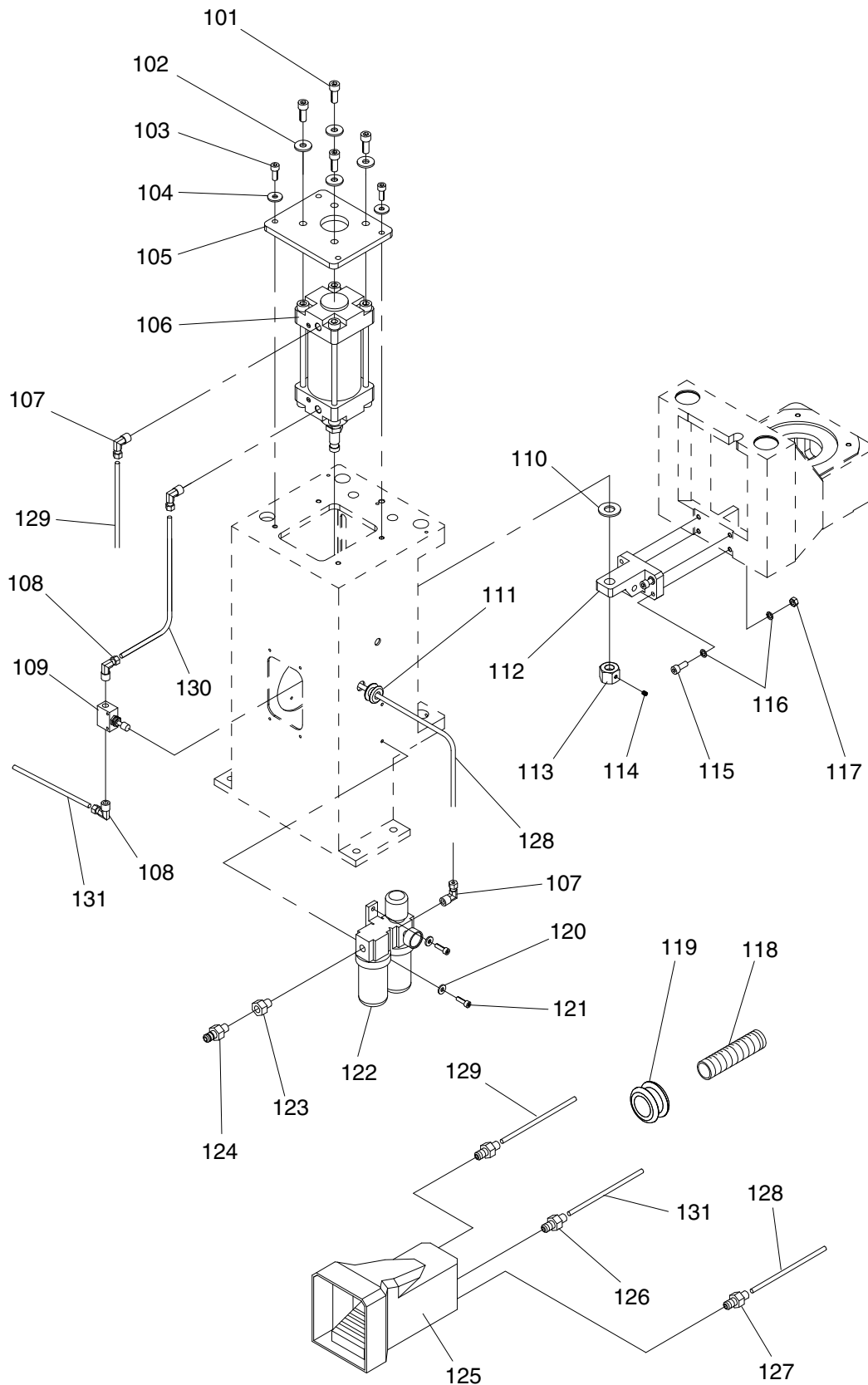
Column Parts List

REF	PART #	DESCRIPTION
1	P0643001	KNURLED KNOB
2	P0643002	SET SCREW M6-1 X 10
3	P0643003	DEPTH CONTROL
4	P0643004	CAP SCREW M6-1 X 20
5	P0643005	WING SCREW M6-1 X 35
6	P0643006	CAP SCREW M8-1 X 16
7	P0643007	FLAT WASHER 8MM
8	P0643008	CAP SCREW M8-1.25 X 20
9	P0643009	DEPTH CONTROL MOUNT
10	P0643010	LIFTING EYE BOLT
11	P0643011	COLUMN
12	P0643012	CAP SCREW M5-.8 X 12
13	P0643013	COVER
14	P0643014	CAP SCREW M10-1.5 X 30
15	P0643015	LOCK WASHER 10MM
16	P0643016	FLAT WASHER 10MM

REF	PART #	DESCRIPTION
17	P0643017	SET SCREW M8-1.25 X 10
18	P0643018	HEADSTOCK LEAD SCREW
19	P0643019	PHLP HD SCR M5-.8 X 12
20	P0643020	DEPTH STOP
21	P0643021	BUMPER
22	P0643022	FLAT WASHER 8MM
23	P0643023	CAP SCREW M8-1.25 X 50
24	P0643024	HEADSTOCK
25	P0643025	HEADSTOCK WAY
26	P0643026	BUSHING
27	P0643027	SEAL
28	P0643028	INT RETAINING RING 40MM
29	P0643029	CABLE CLAMP
30	P0643030	HEX WRENCH 2.5MM
31	P0643031	HEX WRENCH 6MM



Air System Breakdown



Air System Parts List

REF	PART #	DESCRIPTION
101	P0643101	CAP SCREW M10-1.5 X 35
102	P0643102	FLAT WASHER 10MM
103	P0643103	CAP SCREW M8-1.25 X 20
104	P0643104	FLAT WASHER 8MM
105	P0643105	AIR CYLINDER COVER
106	P0643106	AIR CYLINDER ASSY
107	P0643107	PIPE ELBOW MALE 3/8" X 8MM
108	P0643108	PIPE ELBOW MALE 3/8" X 6MM
109	P0643109	AIR PRESSURE VALVE
110	P0643110	FLAT WASHER 16MM
111	P0643111	RUBBER GROMMET
112	P0643112	HEADSTOCK MOUNT
113	P0643113	THREADED LOCK COLLAR
114	P0643114	SET SCREW M6-1 X 10
115	P0643115	CAP SCREW M8-1.25 X 40
116	P0643116	LOCK WASHER 8MM

REF	PART #	DESCRIPTION
117	P0643117	HEX NUT M8-1.25
118	P0643118	PU TUBE 1/2" X 2500MM
119	P0643119	RUBBER SLEEVE
120	P0643120	FLAT WASHER 6MM
121	P0643121	CAP SCREW M6-1 X 16
122	P0643122	AIR REGULATOR/LUBRICATOR ASSY
123	P0643123	PIPE REDUCER 3/8" X 1/4"
124	P0643124	AIR INLET CONNECTOR 1/4 NPT
125	P0643125	FOOT SWITCH ASSY
126	P0643126	PIPE UNION MALE 1/4" X 6MM
127	P0643127	PIPE UNION MALE 1/4" X 8MM
128	P0643128	PU TUBE 5 X 8 X 3150MM
129	P0643129	PU TUBE 5 X 8 X 3090MM
130	P0643130	PU TUBE 4 X 6 X 800MM
131	P0643131	PU TUBE 4 X 6 X 2950MM



Electrical System Parts List

REF	PART #	DESCRIPTION
201	P0643201	OFF BUTTON
202	P0643202	ON BUTTON W/ LAMP 220V
203	P0643203	SWITCH PANEL LABEL
204	P0643204	SWITCH PANEL
205	P0643205	RUBBER GASKET
206	P0643206	SWITCH BOX
207	P0643207	STRAIN RELIEF
208	P0643208	MOTOR 2HP 110/220V 1-PH
208-1	P0643208-1	MOTOR FAN COVER
208-2	P0643208-2	MOTOR FAN
208-3	P0643208-3	S CAPACITOR 300M 125V 1.38 X 2.75
208-4V2	P0643208-4V2	R CAPACITOR 30M 250V 1.5 X 2.38 V2.06.17
208-5	P0643208-5	TERMINAL BLOCK 3 POLE
209	P0643209	CAP SCREW M8-1.25 X 30
210	P0643210	FLAT WASHER 8MM
211	P0643211	PHLP HD SCR M5-.8 X 12
212	P0643212	CABLE CLAMP
213	P0643213	PLASTIC PLUG

REF	PART #	DESCRIPTION
214	P0643214	LIMIT SWITCH BRACKET
215	P0643215	CAP SCREW M5-.8 X 10
216	P0643216	FLAT WASHER 6MM
217	P0643217	CAP SCREW M6-1 X 16
218	P0643218	LIMIT SWITCH
219	P0643219	FLAT WASHER 5MM
220	P0643220	ELECTRICAL BOX 220V
220-1V2	P0643220-1V2	CONTACTOR TEC CN18 220V V2.05.13
220-2	P0643220-2	OL RELAY TEC RHN-10K 8.5-12.5
220-3	P0643220-3	RELAY 5A 220VAC
220-4	P0643220-4	FUSE HOLDER
220-5	P0643220-5	FUSE 5A
220-6	P0643220-6	TERMINAL BLOCK 6 POLE
221	P0643221	POWER CABLE
222	P0643222	110V CONVERSION KIT
223	P0643223	LIMIT SWITCH CABLE
224	P0643224	MOTOR POWER CABLE
225	P0643225	SWITCH BOX CABLE



Table Breakdown

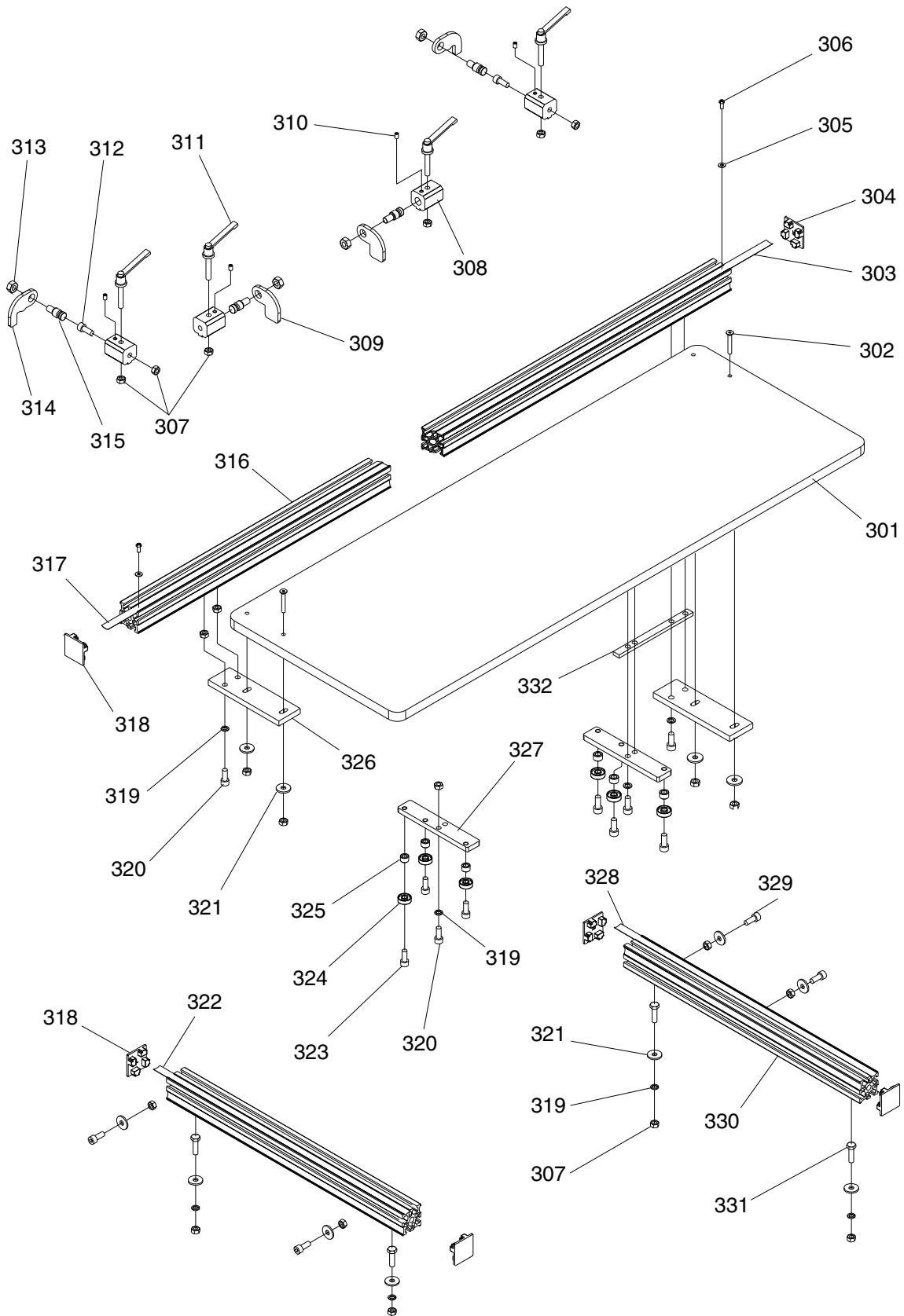


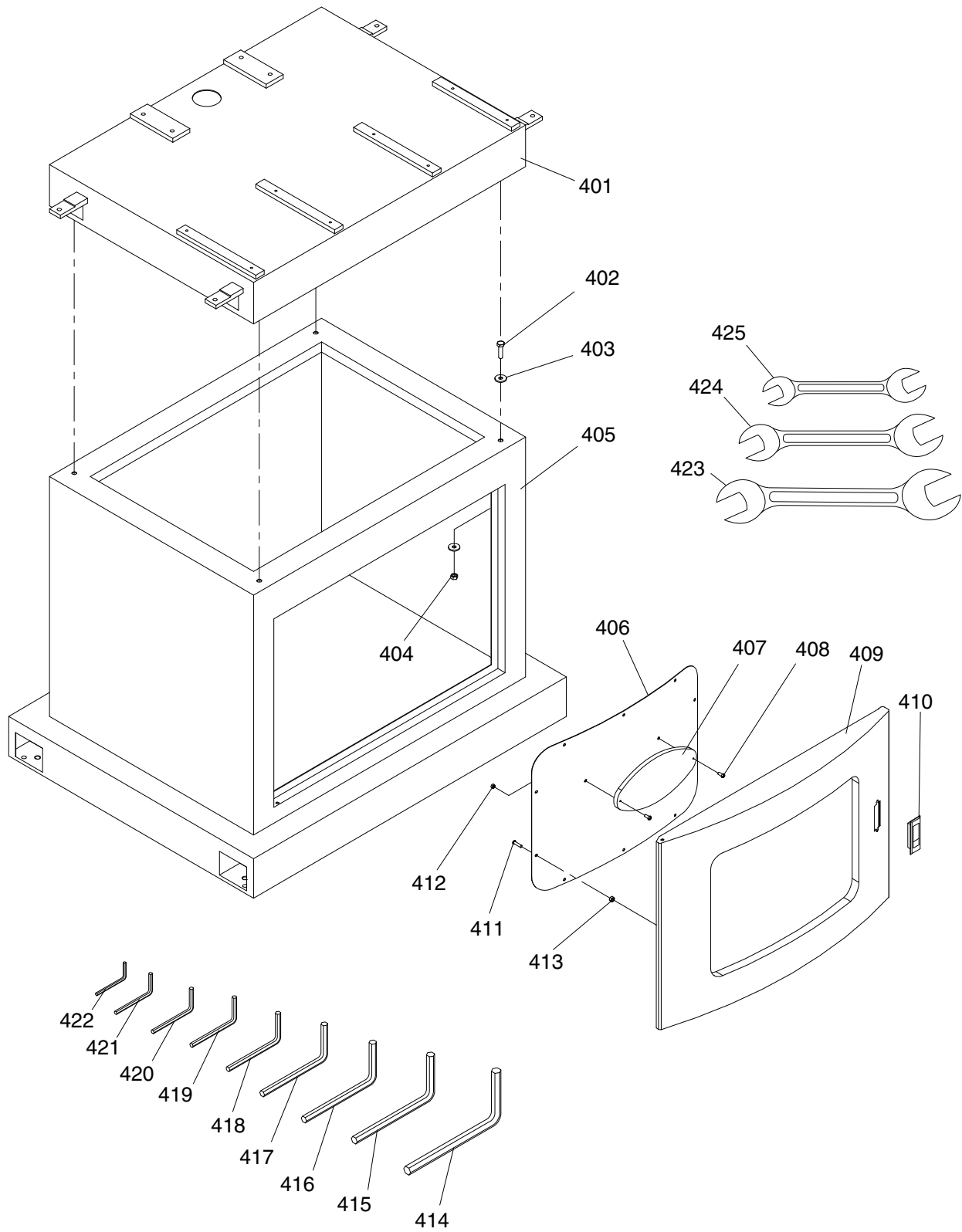
Table Parts List

REF	PART #	DESCRIPTION
301	P0643301	TABLE
302	P0643302	FLAT HD SCR M8-1.25 X 35
303	P0643303	SCALE RIGHT REAR
304	P0643304	RAIL PLUG RIGHT
305	P0643305	FLAT WASHER 5MM
306	P0643306	PHLP HD SCR M5-.8 X 12
307	P0643307	HEX NUT M8-1.25
308	P0643308	BRACKET
309	P0643309	LONGITUDINAL STOP PLATE
310	P0643310	SET SCREW M6-1 X 5
311	P0643311	LOCK HANDLE
312	P0643312	CAP SCREW M8-1.25 X 16
313	P0643313	LOCK NUT M10-1.5
314	P0643314	CROSS STOP PLATE
315	P0643315	SPECIAL BOLT
316	P0643316	RAIL REAR

REF	PART #	DESCRIPTION
317	P0643317	SCALE LEFT REAR
318	P0643318	RAIL PLUG LEFT
319	P0643319	LOCK WASHER 8MM
320	P0643320	CAP SCREW M8-1.25 X 20
321	P0643321	FLAT WASHER 8MM
322	P0643322	SCALE LEFT SIDE
323	P0643323	CAP SCREW M8-1.25 X 25
324	P0643324	BALL BEARING 608ZZ
325	P0643325	BUSHING
326	P0643326	TABLE MOUNT
327	P0643327	RAIL MOUNT
328	P0643328	SCALE RIGHT SIDE
329	P0643329	CAP SCREW M8-1.25 X 12
330	P0643330	RAIL SIDE
331	P0643331	HEX BOLT M8-1.25 X 25
332	P0643332	CONNECTION BAR



Cabinet & Tools Breakdown



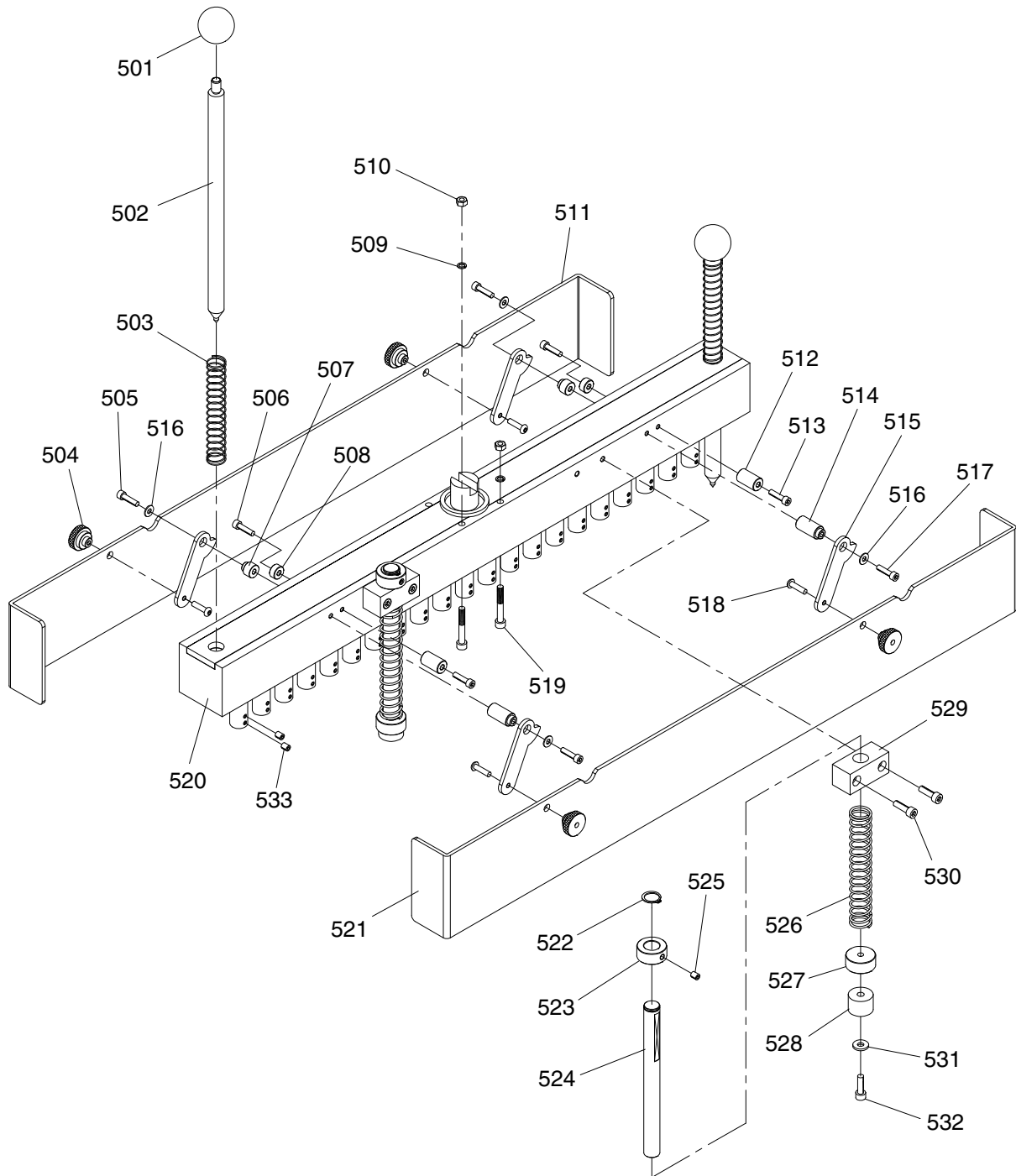
Cabinet & Tools Parts List

REF	PART #	DESCRIPTION
401	P0643401	CABINET TOP
402	P0643402	HEX BOLT M8-1.25 X 16
403	P0643403	FLAT WASHER 8MM
404	P0643404	HEX NUT M8-1.25
405	P0643405	CABINET BASE
406	P0643406	FRONT COVER
407	P0643407	GRIZZLY LOGO
408	P0643408	PHLP HD SCR M4-.7 X 12
409	P0643409	CABINET DOOR
410	P0643410	DOOR LATCH
411	P0643411	PHLP HD SCR M5-.8 X 12
412	P0643412	HEX NUT M4-.7
413	P0643413	HEX NUT M5-.8

REF	PART #	DESCRIPTION
414	P0643414	HEX WRENCH 10MM
415	P0643415	HEX WRENCH 8MM
416	P0643416	HEX WRENCH 6MM
417	P0643417	HEX WRENCH 5MM
418	P0643418	HEX WRENCH 4MM
419	P0643419	HEX WRENCH 3MM
420	P0643420	HEX WRENCH 2.5MM
421	P0643421	HEX WRENCH 2MM
422	P0643422	HEX WRENCH 1.5MM
423	P0643423	COMBO WRENCH 17/19MM
424	P0643424	COMBO WRENCH 11/13MM
425	P0643425	COMBO WRENCH 8/10MM



Boring Head Breakdown



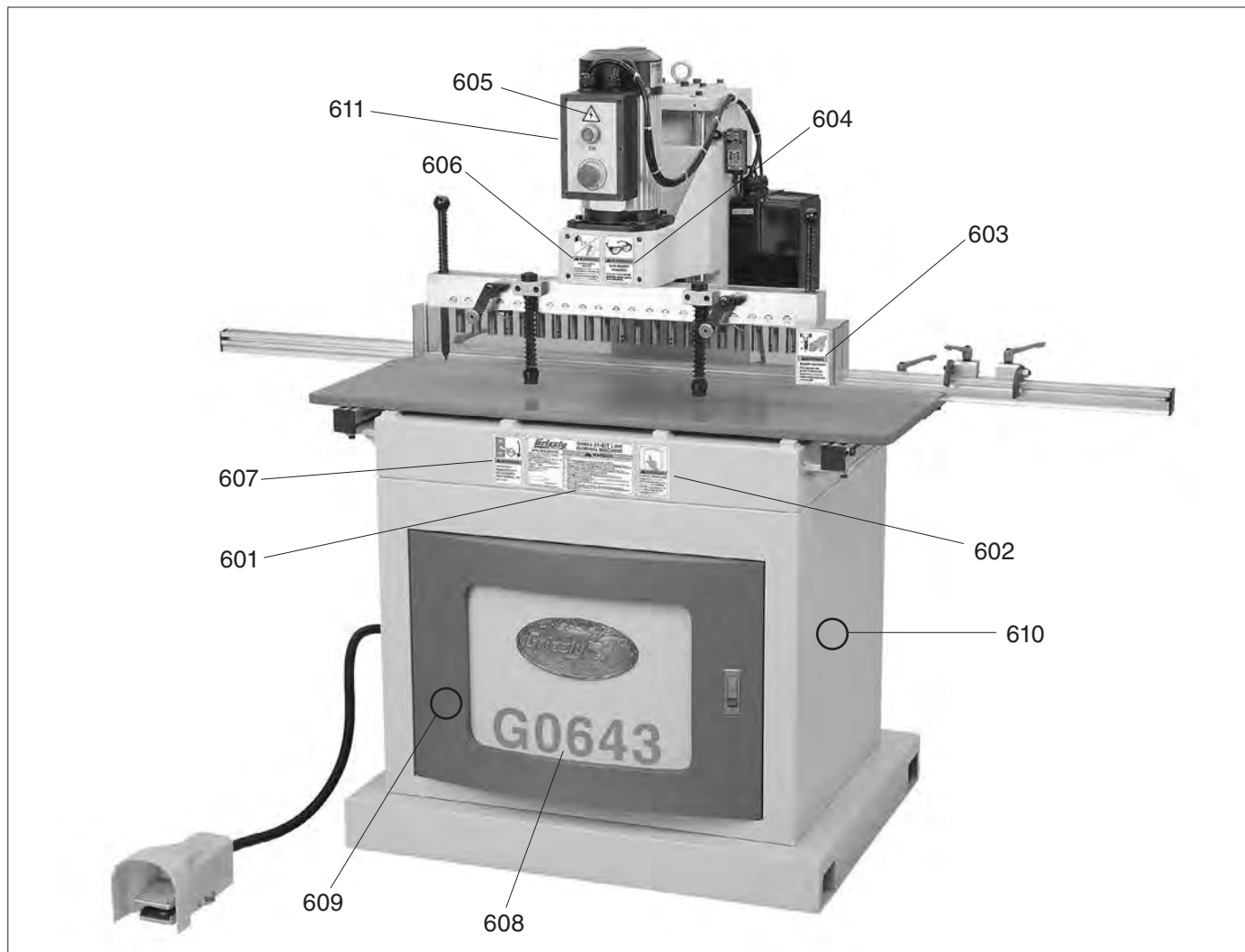
Boring Head Parts List

REF	PART #	DESCRIPTION
501	P0643501	KNOB
502	P0643502	INDEXING PIN
503	P0643503	INDEXING COMPRESSION SPRING
504	P0643504	KNURLED KNOB
505	P0643505	CAP SCREW M5-.8 X 25
506	P0643506	CAP SCREW M5-.8 X 16
507	P0643507	GUARD MOUNT BUSHING REAR
508	P0643508	HEAD SPACER REAR
509	P0643509	LOCK WASHER 6MM
510	P0643510	HEX NUT M6-1
511	P0643511	GUARD REAR
512	P0643512	HEAD SPACER FRONT
513	P0643513	CAP SCREW M5-.8 X 35
514	P0643514	GUARD MOUNT BUSHING FRONT
515	P0643515	GUARD MOUNT
516	P0643516	FLAT WASHER 5MM
517	P0643517	CAP SCREW M5-.8 X 50

REF	PART #	DESCRIPTION
518	P0643518	CAP SCREW M5-.8 X 20
519	P0643519	CAP SCREW M6-1 X 70
520	P0643520	BORING HEAD ASSY
521	P0643521	GUARD FRONT
522	P0643522	EXT RETAINING RING 16MM
523	P0643523	LOCK COLLAR
524	P0643524	HOLDDOWN SHAFT
525	P0643525	SET SCREW M6-1 X 5
526	P0643526	HOLDDOWN COMPRESSION SPRING
527	P0643527	COLLAR
528	P0643528	HOLDDOWN PAD
529	P0643529	HOLDDOWN MOUNT
530	P0643530	CAP SCREW M6-1 X 30
531	P0643531	FLAT WASHER 6MM
532	P0643532	CAP SCREW M6-1 X 20
533	P0643533	SET SCREW M5-.8 X 5



Label Placement & List



REF	PART #	DESCRIPTION
601	P0643601	MACHINE ID LABEL
602	P0643602	READ MANUAL LABEL VERT
603	P0643603	HAND INJURY LABEL VERT
604	P0643604	EYE HAZARD LABEL VERT
605	P0643605	ELECTRICITY LABEL
606	P0643606	ENTANGLEMENT LABEL VERT

REF	PART #	DESCRIPTION
607	P0643607	DISCONNECT POWER LABEL VERT
608	P0643608	MODEL NUMBER LABEL
609	P0643609	GRIZZLY GREEN TCH/UP PAINT
610	P0643610	GRIZZLY PUDDY TCH/UP PAINT
611	P0643611	DOWNFEED SPEED LABEL

WARNING

Safety labels help reduce the risk of serious injury caused by machine hazards. If any label comes off or becomes unreadable, the owner of this machine **MUST** replace it in the original location before resuming operations. For replacements, contact (800) 523-4777 or www.grizzly.com.

