

—If the extension table tilts down, use a strip of masking tape along the bottom edge of the lathe to shim the table up (**Figure 3**).

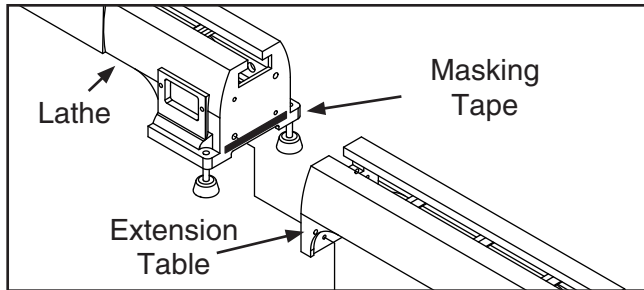


Figure 3. Shimming extension table up.

—If the extension table tilts up, use a strip of masking tape along the top edge of the lathe to shim the table down (**Figure 4**).

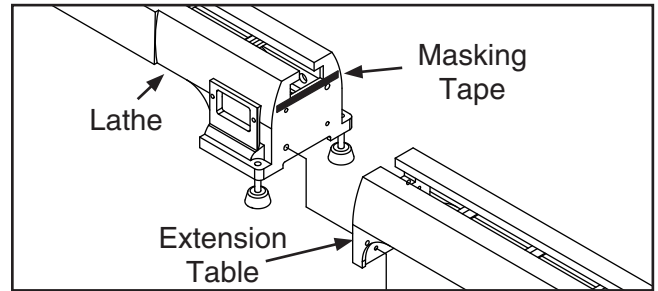


Figure 4. Shimming table down.

—If the extension table is skewed to the left or right, use a vertical strip of masking tape along the corresponding edge of the lathe to make the extension table parallel with the lathe (**Figure 5**).

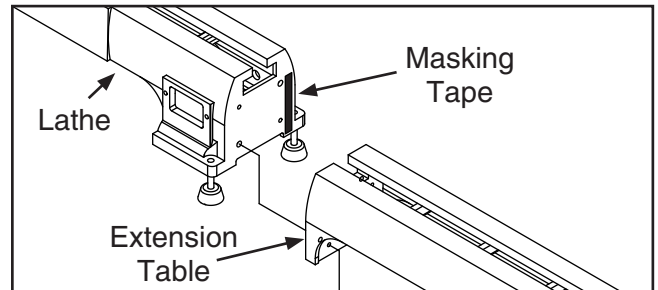
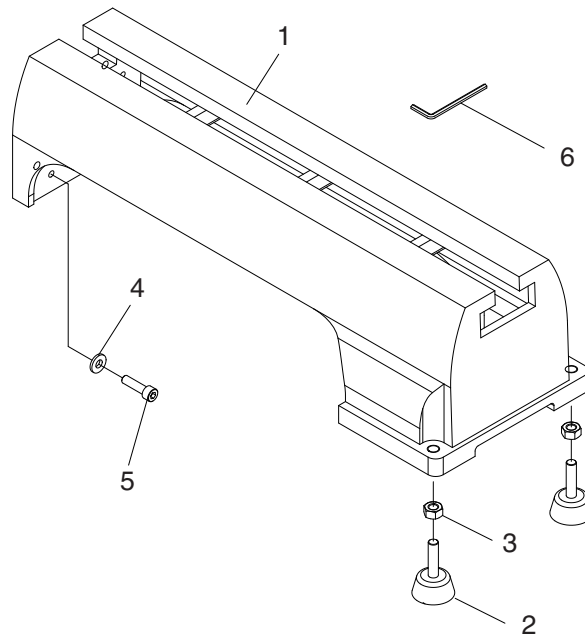


Figure 5. Shimming table to the left.

Refer to the Model G0624 manual for instructions on operating the lathe.

If you need help with your new extension table, call our Tech Support at: (570) 546-9663.

G0625 Parts Breakdown and List



REF	PART #	DESCRIPTION
1	P0625001	BED EXTENSION
2	P0625002	RUBBER FOOT
3	PN08	HEX NUT 3/8-16
4	PW01M	FLAT WASHER 8MM
5	PSB40M	CAP SCREW M8-1.25 X 35
6	PAW06M	HEX WRENCH 6MM