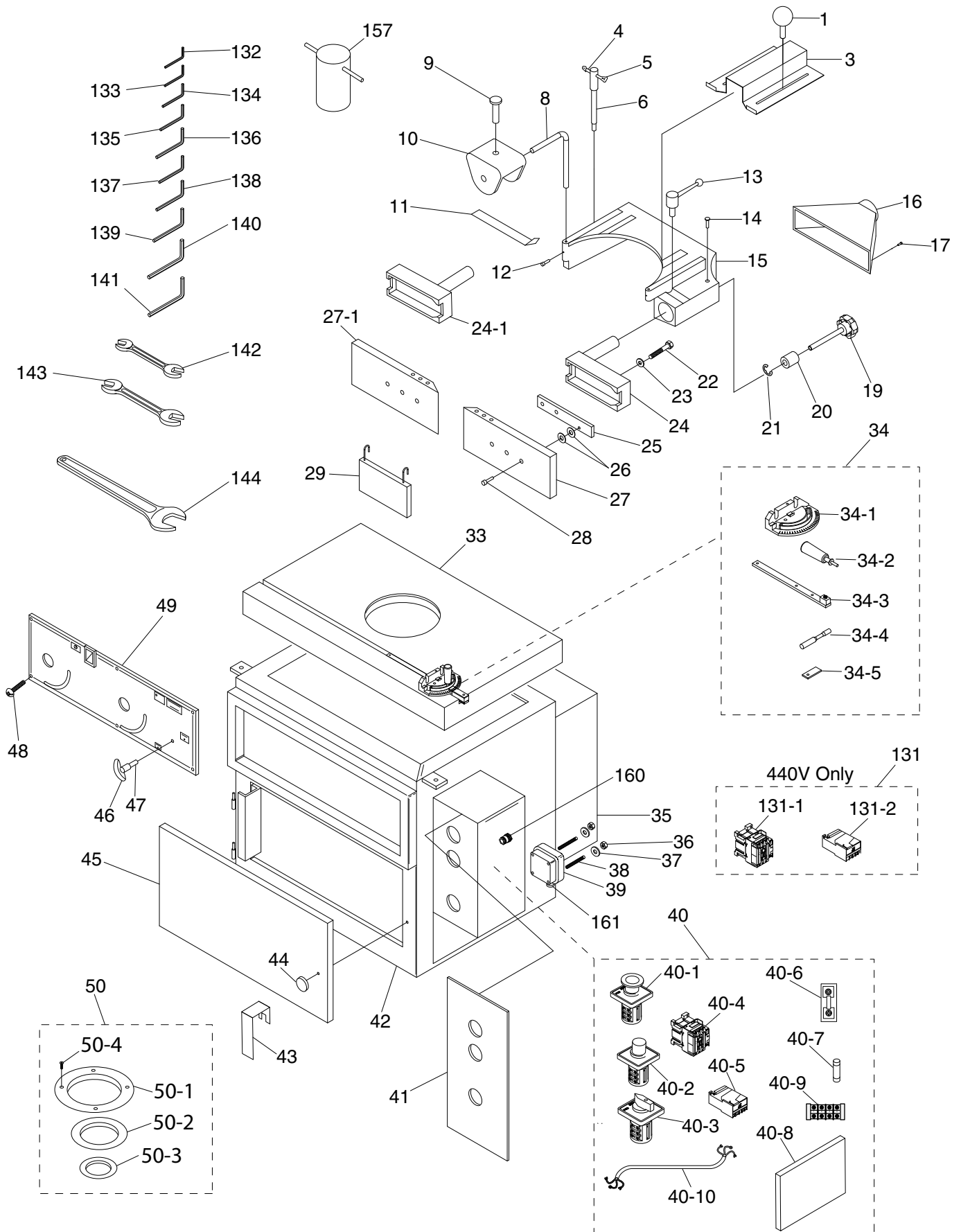


# Table & Cabinet Parts Breakdown



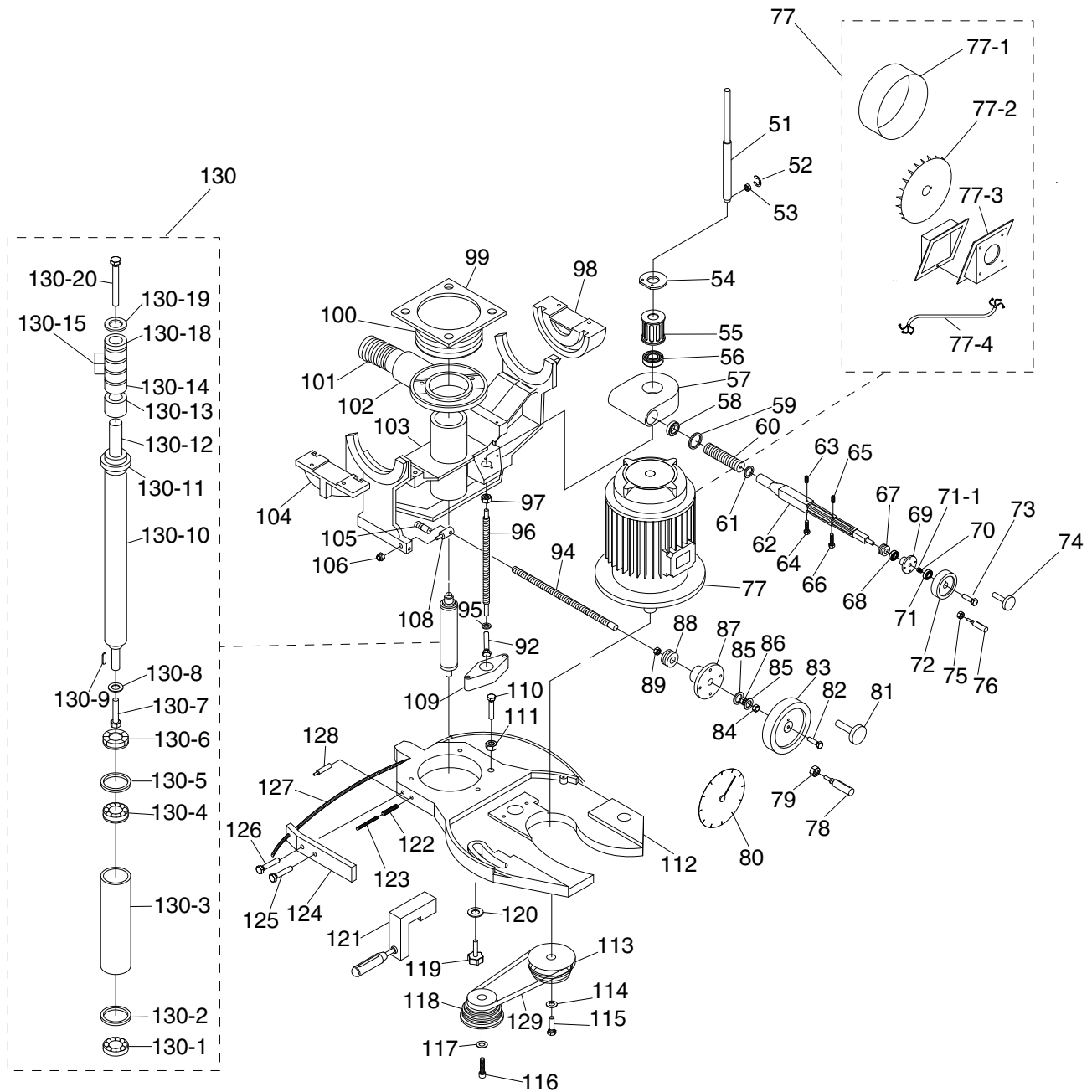
# Table & Cabinet Parts List

REF	PART #	DESCRIPTION
1	P0608X001	KNOB BOLT M10-1.5 X 25
3	P0608X003	CUTTER TOP GUARD
4	P0608X004	HANDLE ROD
5	P0608X005	KNOB 1/2-13, D1-3/8, BALL
6	P0608X006	LOCK SHAFT
8	P0608X008	L-SHAFT
9	P0608X009	HEX BOLT M10-1.5 X 40
10	P0608X010	HOLD DOWN BRACKET
11	P0608X011	HOLD DOWN FINGER
12	P0608X012	HEX BOLT M10-1.5 X 35
13	P0608X013	LOCK LEVER M10-1.5 X 30
14	P0608X014	SET SCREW M8-1.25 X 10
15	P0608X015	FENCE BASE
16	P0608X016	DUST HOOD W/5" PORT
17	P0608X017	PHLP HD SCR M5-.8 X 8
19	P0608X019	KNOB BOLT
20	P0608X020	SPACER
21	P0608X021	E-CLIP 12MM
22	P0608X022	HEX BOLT M10-1.5 X 35
23	P0608X023	FLAT WASHER 10MM
24	P0608X024	FENCE SUPPORT RIGHT
24-1	P0608X024-1	FENCE SUPPORT LEFT
25	P0608X025	FENCE MOUNTING PLATE
26	P0608X026	FLAT WASHER 10MM
27	P0608X027	FENCE BOARD RIGHT
27-1	P0608X027-1	FENCE BOARD LEFT
28	P0608X028	CAP SCREW M10-1.5 X 30
29	P0608X029	CUTTER FRONT GUARD
33	P0608X033	TABLE
34	P0608X034	MITER GAUGE ASSEMBLY
34-1	P0608X034-1	MITER BODY
34-2	P0608X034-2	HANDLE
34-3	P0608X034-3	SLIDING PLATE
34-4	P0608X034-4	PIN
34-5	P0608X034-5	INDICATOR
35	P0608X035	REAR CABINET COVER
36	P0608X036	HEX NUT 10-24
37	P0608X037	FLAT WASHER #10
38	P0608X038	STUD-FT #10-24 X 3
39	P0608X039	POWER JUNCTION BOX ASSEMBLY
40	P0608X040	ELECTRICAL BOX
40-1	P0608X040-1	STOP SWITCH

REF	PART #	DESCRIPTION
40-2	P0608X040-2	POWER SWITCH
40-3	P0608X040-3	REVERSIBLE SWITCH
40-4	P0608X040-4	CONTACTOR NHD MOS-18D 220V
40-5	P0608X040-5	OL RELAY NHD TH-20 220V 18-26A
40-6	P0608X040-6	FUSE HOUSING W/DIODE
40-7	P0608X040-7	FUSE 2A
40-8	P0608X040-8	ELECTRICAL MOUNTING PANEL
40-9	P0608X040-9	TERMINAL BLOCK 4P
40-10	P0608X040-10	ELECTRIC BOX WIRING HARNESS
41	P0608X041	PVC CONTROL PANEL
42	P0608X042	BASE CABINET
43	P0608X043	LATCH HANDLE
44	P0608X044	DOOR LATCH
45	P0608X045	MOTOR ACCESS DOOR
46	P0608X046	T-HANDLE
47	P0608X047	T-HANDLE SHAFT
48	P0608X048	PHLP HD SCR M6-1 X 55
49	P0608X049	PVC HANDWHEEL PANEL
50	P0608X050	TABLE INSERT SET ASSEMBLY
50-1	P0608X050-1	TABLE INSERT 9-7/8 ID X 13-3/4 OD
50-2	P0608X050-2	TABLE INSERT 5-7/8 ID X 10-5/8 OD
50-3	P0608X050-3	TABLE INSERT 2-3/4 ID X 6-3/4 OD
50-4	P0608X050-4	SET SCREW M4-.7 X 5
131	P0608X131	440V CONVERSION KIT NHD
131-1	P0608X131-1	CONTACTOR NHD MOS-12D 220V
131-2	P0608X131-2	OL RELAY NHD TH-12 18-26A
132	P0608X132	HEX WRENCH 1.5MM
133	P0608X133	HEX WRENCH 2MM
134	P0608X134	HEX WRENCH 2.5MM
135	P0608X135	HEX WRENCH 3MM
136	P0608X136	HEX WRENCH 4MM
137	P0608X137	HEX WRENCH 5MM
138	P0608X138	WRENCH HEX 5.5MM
139	P0608X139	HEX WRENCH 6MM
140	P0608X140	HEX WRENCH 8MM
141	P0608X141	HEX WRENCH 10MM
142	P0608X142	WRENCH 11 X 13 OPEN-ENDS
143	P0608X143	WRENCH 17 X 19 OPEN-ENDS
144	P0608X144	SPINDLE NUT WRENCH 36MM
157	P0608X157	SHAFT NUT WRENCH
160	P0608X160	STRAIGHT STRAIN RELIEF LT
161	P0608X161	STRAIN RELIEF BUSHING



# Motor & Spindle Parts Breakdown



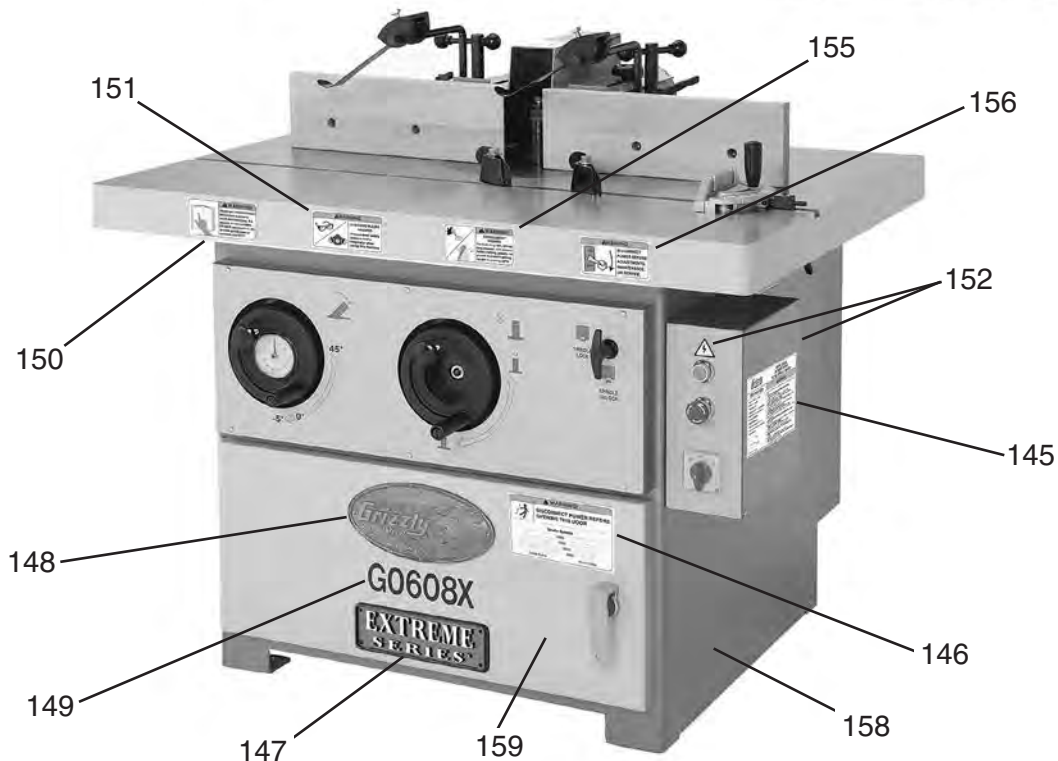
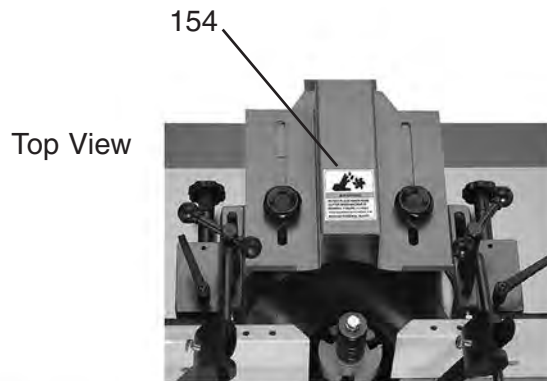
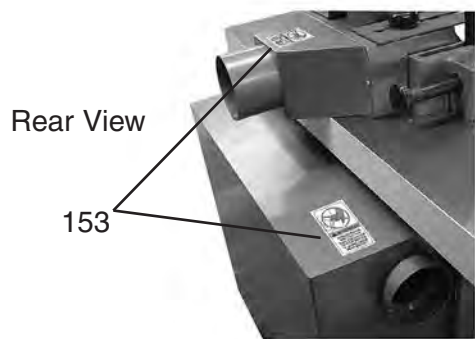
# Motor & Spindle Parts List

REF	PART #	DESCRIPTION
51	P0608X051	ARBOR
52	PEC04M	E-CLIP 13MM
53	PN13M	HEX NUT M16-2
54	P0608X054	GEAR D-RETAINER
55	P0608X055	BRASS GEAR
56	P0608X056	THRUST NEEDLE BEARING 3047
57	P0608X057	WORM GEAR HOUSING
58	P6002ZZ	BALL BEARING 6002ZZ
59	PR29M	INT RETAINING RING 32MM
60	P0608X060	WORM GEAR
61	P0608X061	THRUST WASHER
62	P0608X062	EXTENSION COUPLER
63	PSS01M	SET SCREW M6-1 X 10
64	PB04M	HEX BOLT M6-1 X 10
65	PSS01M	SET SCREW M6-1 X 10
66	PB04M	HEX BOLT M6-1 X 10
67	P0608X067	COUPLER
68	P6002ZZ	BALL BEARING 6002ZZ
69	P0608X069	SUPPORT PLATE
70	PW14M	FLAT WASHER 8MM
71	P6002ZZ	BALL BEARING 6002ZZ
71-1	PN03M	HEX NUT M8-1.25
72	P0608X072	HANDWHEEL
73	PBHS23M	BUTTON HD CAP SCR M8-1.25 X 25
74	P0608X074	KNOB BOLT M8-1.25 X 120
75	PN08	HEX NUT 3/8-16
76	P0608X076	HANDLE
77	P0608X077	MOTOR 7.5HP 220/440V 3PH 60HZ
77-1	P0608X077-1	MOTOR FAN COVER
77-2	P0608X077-2	MOTOR FAN
77-3	P0608X077-3	MOTOR JUNCTION BOX
77-4	P0608X077-4	MOTOR WIRING HARNESS
78	P0608X078	HANDLE
79	PN08	HEX NUT 3/8-16
80	P0608X080	TILT DIAL
81	P0608X081	KNOB BOLT M8-1.25 X 120
82	PBHS23M	BUTTON HD CAP SCR M8-1.25 X 25
83	P0608X083	HANDWHEEL
84	PN03M	HEX NUT M8-1.25
85	P6002ZZ	BALL BEARING 6002ZZ
86	PN03M	HEX NUT M8-1.25
87	P0608X087	SUPPORTING PLATE
88	P0608X088	COUPLER
89	PN03M	HEX NUT M8-1.25
92	PBHS22M	BUTTON HD CAP SCR M8-1.25 X 20
94	P0608X094	TILT LEADSCREW
95	PWF08M	FENDER WASHER 8MM
96	P0608X096	ELEVATION LEADSCREW
97	PN32M	HEX NUT M14-2
98	P0608X098	RIGHT TILTING BASE

REF	PART #	DESCRIPTION
99	P0608X099	DUST HOUSING
100	P0608X100	FLEXIBLE HOSE 10"
101	P0608X101	FLEXIBLE HOSE 4"
102	P0608X102	DUST HOOD
103	P0608X103	TILTING BASE SUPPORT HOUSING
104	P0608X104	LEFT TILTING BASE
105	P0608X105	SUPPORT HOUSING RETAINING SCREW
106	P0608X106	SUPPORT HOUSING LOCKING NUT
108	P0608X108	RETAINING BOLT
109	P0608X109	LEADSCREW SUPPORT
110	PB33M	HEX BOLT M12-1.75 X 50
111	PN09M	HEX NUT M12-1.75
112	P0608X112	MOTOR BASE
113	P0608X113	MOTOR PULLEY
114	PW01M	FLAT WASHER 8MM
115	PB15M	HEX BOLT M8-1.25 X 40
116	PCAP31M	CAP SCREW M8-1.25 X 25
117	PW01M	FLAT WASHER 8MM
118	P0608X118	SPINDLE PULLEY
119	P0608X119	KNOB BOLT 10-1.5 X 30
120	PW04M	FLAT WASHER 10MM
121	P0608X121	BELT TENSIONING BAR ASSEMBLY
122	P0608X122	COMPRESSION SPRING
123	P0608X123	COMPRESSION SPRING
124	P0608X124	SUPPORT ARM
125	PB161M	HEX BOLT M6-1 X 70
126	PB45M	HEX BOLT M8-1.25 X 100
127	P0608X127	LOCK WIRE
128	P0608X128	LOCK PIN
129	PVA40	V-BELT A40
130	P0608X130	CUTTER SHAFT ASSEMBLY
130-1	P6206ZZ	BALL BEARING 6206ZZ
130-2	PR38M	INT RETAINING RING 62MM
130-3	P0608X130-3	QUILL
130-4	P6210ZZ	BALL BEARING 6210ZZ
130-5	P0608X130-5	INT RETAINING RING 90MM
130-6	P0608X130-6	DUST COVER
130-7	PCAP31M	CAP SCREW M8-1.25 X 25
130-8	PW01M	FLAT WASHER 8MM
130-9	P4185072	KEY 8 X 7 X 35
130-10	P0608X130-10	SPINDLE CARTRIDGE
130-11	P0608X130-11	SPINDLE SHAFT NUT
130-12	P0608X130-12	SPINDLE
130-13	P0608X130-13	SPACER 15MM
130-14	P0608X130-14	SPACER 20MM
130-15	P0608X130-15	SPACER 25MM
130-18	P0608X130-18	SHAFT NUT
130-19	P0608X130-19	SPACER 12MM
130-20	PB25M	HEX BOLT M12-1.75 X 25



# Label Placement



REF	PART #	DESCRIPTION
145	P0608X145	MACHINE ID LABEL
146	P0608X146	DISCONNECT POWER LABEL
147	P0608X147	EXTREME SERIES LOGO 10 X 3-1/4
148	P0608X148	GRIZZLY LOGO 10-3/4 X 5-1/4
149	P0608X149	MODEL NUMBER LABEL
150	P0608X150	READ MANUAL LABEL
151	P0608X151	GLASSES-RESPIRATOR LABEL

REF	PART #	DESCRIPTION
152	P0608X152	ELECTRICITY LABEL
153	P0608X153	OUTLET HORIZ LABEL
154	P0608X154	CUTTER HORIZ LABEL
155	P0608X155	ENTANGLEMENT LABEL
156	P0608X156	DISCONNECT LABEL
158	P0608X158	GRIZZLY GREEN TOUCH UP PAINT
159	P0608X159	GRIZZLY PUTTY TOUCH UP PAINT

## WARNING

Safety labels warn about machine hazards and ways to prevent injury. The owner of this machine **MUST** maintain the original location and readability of the labels on the machine. If any label is removed or becomes unreadable, **REPLACE** that label before using the machine again. Contact Grizzly at (800) 523-4777 or [www.grizzly.com](http://www.grizzly.com) to order new labels.

