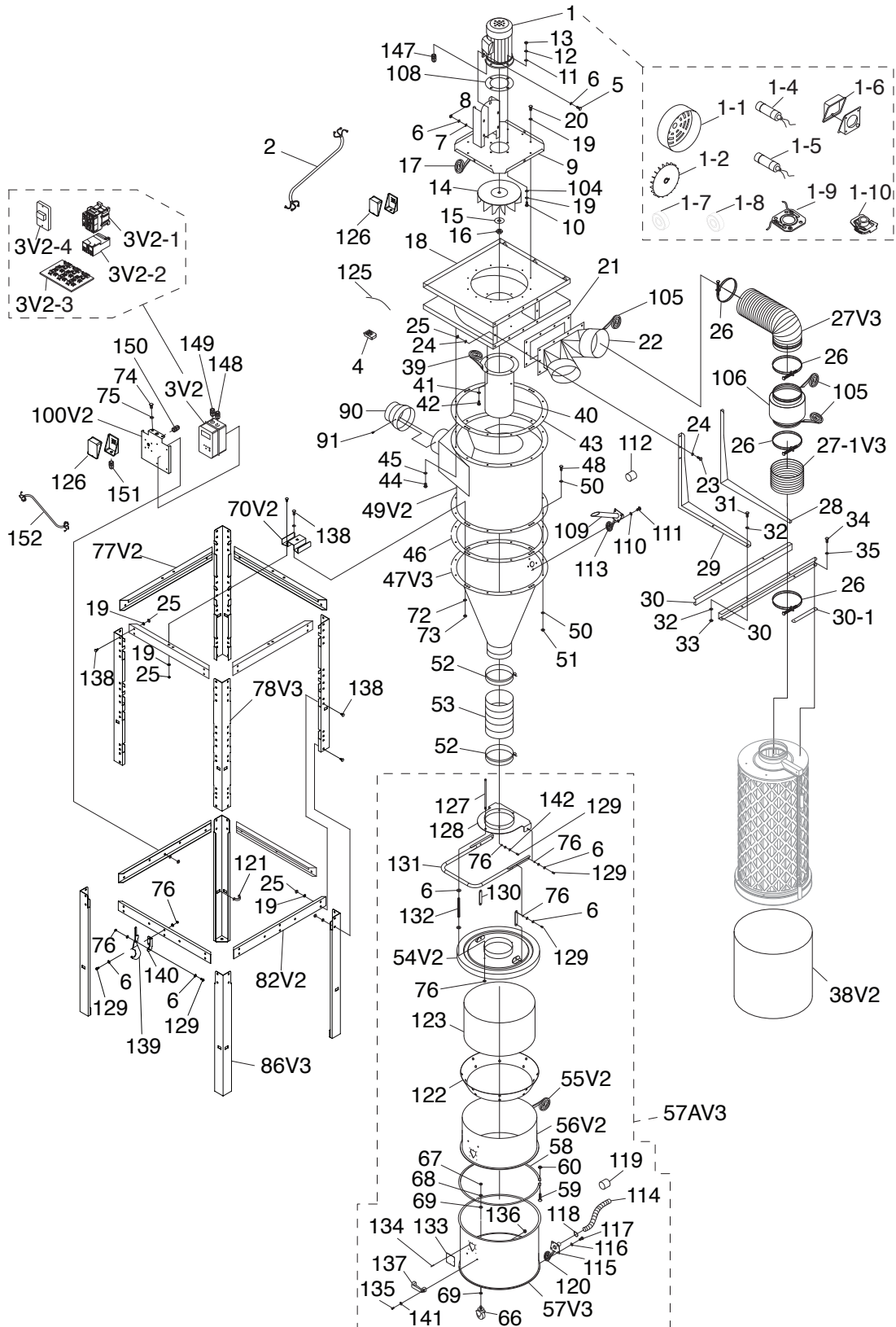


# SECTION 10: PARTS

## G0442 Main Parts



# G0442 Main Parts List

REF	PART #	DESCRIPTION
1	P0442001	MOTOR 5HP 220V 1-PH
1-1	P0442001-1	MOTOR FAN COVER
1-2	P0442001-2	MOTOR FAN
1-4	P0442001-4	S CAPACITOR 400M 250V 1-3/4 X 3-3/4
1-5	P0442001-5	R CAPACITOR 40M 450V
1-6	P0442001-6	JUNCTION BOX
1-7	P0442001-7	BALL BEARING 6207ZZ
1-8	P0442001-8	BALL BEARING 6205ZZ
1-9	P0442001-9	CONTACT PLATE
1-10	P0442001-10	CENTRIFUGAL SWITCH 3450 RPM
2	P0442002	MOTOR CORD 12G 3W
3V2	P0442003V2	CONTROL BOX ASSY 220V 1-PH CSA V2.04.12
3V2-1	P0442003V2-1	CONTACTOR NHD C-18D 220V V2.04.12
3V2-2	P0442003V2-2	OL RELAY NHD NTH-25 21-25A
3V2-3	P0442003V2-3	CIRCUIT BOARD
3V2-4	P0442003V2-4	ON/OFF SWITCH 220V
4	P0442004	REMOTE CONTROLLER
5	P0442005	HEX BOLT 3/8-16 X 1-1/2
6	P0442006	FLAT WASHER 3/8
7	P0442007	LOCK WASHER 3/8
8	P0442008	HEX NUT 3/8-16
9	P0442009	BLOWER COVER
10	P0442010	HEX BOLT 1/2-13 X 1-1/2
11	P0442011	FENDER WASHER 1/2"
12	P0442012	LOCK WASHER 1/2
13	P0442013	HEX NUT 1/2-13
14	P0442014	IMPELLER 16"
15	P0442015	FLAT WASHER 3/4
16	P0442016	HEX NUT 3/4-16 LH
17	P0442017	FOAM TAPE 3 X 6 X 1800MM
18	P0442018	IMPELLER HOUSING
19	P0442019	FLAT WASHER 5/16
20	P0442020	HEX BOLT 5/16-18 X 3/4
21	P0442021	OUTLET GASKET 456 X 226MM
22	P0442022	OUTLET PORT
23	P0442023	HEX BOLT 5/16-18 X 1
24	P0442024	FLAT WASHER 5/16
25	P0442025	HEX NUT 5/16-18
26	P0442026	HOSE CLAMP 8"
27-1V3	P0442027-1V3	FLEXIBLE HOSE 8" X 4-3/4" V3.11.09
27V3	P0442027V3	FLEXIBLE HOSE 8" X 23-1/2" V3.11.09
28	P0442028	LEFT FILTER L-BRACE
29	P0442029	RIGHT FILTER L-BRACE
30	P0442030	FILTER CROSS BRACE
30-1	P0442030-1	BRACE GASKET 240 X 32MM
31	P0442031	HEX BOLT 3/8-16 X 3/4
32	P0442032	FLAT WASHER 3/8
33	P0442033	HEX NUT 3/8-16
34	P0442034	HEX BOLT 5/16-18 X 3/4
35	P0442035	FLAT WASHER 5/16
38V2	P0442038V2	PLASTIC BAG 570 X 600MM V2.11.09
39	P0442039	FOAM TAPE 3 X 6 X 1800MM
40	P0442040	INTAKE CYLINDER 12"
41	P0442041	FLAT WASHER 5/16
42	P0442042	HEX BOLT 5/16-18 X 3/4
43	P0442043	BARREL GASKET 686MM DIA.

REF	PART #	DESCRIPTION
44	P0442044	HEX BOLT 5/16-18 X 3/4
45	P0442045	FLAT WASHER 5/16
46	P0442046	BARREL GASKET 686MM DIA.
47V3	P0442047V3	CYCLONE FUNNEL V3.07.20
48	P0442048	HEX BOLT 5/16-18 X 1
49V2	P0442049V2	INTAKE BARREL V2.07.20
50	P0442050	FLAT WASHER 5/16
51	P0442051	HEX NUT 5/16-18
52	P0442052	HOSE CLAMP 9"
53	P0442053	CLEAR FLEXIBLE PIPE 9" X 10"
54V2	P0442054V2	COLLECTION DRUM LID V2.07.20
55V2	P0442055V2	DRUM SEAL TYPE-R 2M V2.11.09
56V2	P0442056V2	UPPER DRUM 25GAL V2.07.20
57AV3	P0442057AV3	COLLECTION DRUM ASSY 55GAL V3.07.20
57V3	P0442057V3	COLLECTION DRUM 35GAL V3.07.20
58	P0442058	DRUM CLAMP
59	P0442059	HEX BOLT 5/16-18 X 3
60	P0442060	HEX NUT 5/16-18
66	P0442066	CASTER 2"
67	P0442067	HEX NUT 3/8-16
68	P0442068	LOCK WASHER 3/8
69	P0442069	FLAT WASHER 3/8
70V2	P0442070V2	COLLECTOR MOUNTING BRACKET V2.07.20
72	P0442072	FLAT WASHER 5/16
73	P0442073	LOCK NUT 5/16-18
74	P0442074	HEX BOLT 3/8-16 X 3/4
75	P0442075	FLAT WASHER 3/8
76	P0442076	LOCK NUT 3/8-16
77V2	P0442077V2	UPPER STAND BRACE V2.07.20
78V3	P0442078V3	UPPER STAND LEG V3.07.20
82V2	P0442082V2	LOWER STAND BRACE V2.07.20
86V3	P0442086V3	LOWER STAND LEG V3.07.20
90	P0442090	REDUCER 10" TO 8"
91	P0442091	TAP SCREW M4 X 12
100V2	P0442100V2	STAND SWITCH BRACKET CSA V2.03.12
104	P0442104	EXT TOOTH WASHER 1/2
105	P0442105	FOAM TAPE 3 X 15 X 700MM
106	P0442106	NOISE MUFFLER 8"
108	P0442108	MOTOR GASKET
109	P0442109	CYCLONE VACUUM PORT
110	P0442110	FLAT WASHER 5/16
111	P0442111	HEX BOLT 5/16-18 X 3/4
112	P0442112	PORT PLUG 1-1/4"
113	P0442113	FOAM TAPE 3 X 6 X 300MM
114	P0442114	VACUUM HOSE 1-1/4" X 98"
115	P0442115	COLLECTION DRUM VACUUM PORT
116	P0442116	FLAT WASHER 5/16
117	P0442117	HEX BOLT 5/16-18 X 3/4
118	P0442118	HOSE CLAMP 1-1/4"
119	P0442119	PORT PLUG 1-1/4"
120	P0442120	FOAM TAPE 3 X 6 X 300MM
121	P0442121	VACUUM HOSE CLIP 2-1/2"
122	P0442122	COLLECTION DRUM VACUUM RING
123	P0442123	DRUM COLLECTION BAG 640 X 1200MM
125	P0442125	GREEN GROUNDING WIRE 12G 6"
126	P0442126	JUNCTION BOX



# G0442 Main Parts List Cont.

REF	PART #	DESCRIPTION
127	P0442127	HEX BOLT 3/8-16 X 11
128	P0442128	CYCLONE FUNNEL ADAPTER
129	P0442129	HEX BOLT 3/8-16 X 1
130	P0442130	DRUM LID CONNECTING PLATE
131	P0442131	COLLECTION LID HANDLE
132	P0442132	DRUM LID SPRING
133	P0442133	DRUM WINDOW
134	P0442134	RIVET
135	P0442135	PHLP HD SCR 5/16-18 X 3/4
136	P0442136	ACORN NUT 5/16-18
137	P0442137	COLLECTION DRUM HANDLE PLASTIC

REF	PART #	DESCRIPTION
138	P0442138	CARRIAGE BOLT 5/16-18 X 3/4
139	P0442139	HANDLE HOOK
140	P0442140	HANDLE HOOK BRACKET
141	P0442141	FENDER WASHER 5/16
142	P0442142	FLAT WASHER 3/8 THIN
147	P0442147	STRAIN RELIEF M20-1.5
148	P0442148	STRAIN RELIEF M20-1.5
149	P0442149	STRAIN RELIEF M20-1.5
150	P0442150	STRAIN RELIEF M20-1.5
151	P0442151	STRAIN RELIEF M20-1.5
152	P0442152	CONTROL BOX CORD 10G 3W 650MM





# G0601 Main Parts List

REF	PART #	DESCRIPTION
1	P0601001	MOTOR 5HP 220/440V 3-PH
1-1	P0601001-1	MOTOR FAN COVER
1-2	P0601001-2	MOTOR FAN
1-3	P0601001-3	JUNCTION BOX
1-4	P0601001-4	FRONT MOTOR BEARING
1-5	P0601001-5	REAR MOTOR BEARING
2	P0601002	MOTOR CORD 12G 4W 300V
3V2	P0601003V2	CONTROL BOX ASSY 220V 3-PH CSA V2.04.12
3V2-1	P0601003V2-1	CONTACTOR NHD C-18D 220V
3V2-2	P0601003V2-2	OL RELAY NHD NTH-15 10-15A
3V2-3	P0601003V2-3	CIRCUIT BOARD 220V W/TRANSFORMER
3V2-4	P0601003V2-4	ON/OFF SWITCH 220V
3-1V2	P0601003-1V2	CONTROL BOX ASSY 440V 3-PH CSA V2.04.12
3-1V2-1	P0601003-1V2-1	CONTACTOR NHD C-09D 440V
3-1V2-2	P0601003-1V2-2	OL RELAY NHD NTH-08 6-8A
3-1V2-3	P0601003-1V2-3	CIRCUIT BOARD
3-1V2-4	P0601003-1V2-4	ON/OFF SWITCH 440V
3-1V2-5	P0601003-1V2-5	MOTOR CORD 12G 4W 600V
3-1V2-6	P0601003-1V2-6	SWITCH TRANSFORMER 30VA
4	P0601004	REMOTE CONTROLLER
5	P0601005	HEX BOLT 3/8-16 X 1-1/2
6	P0601006	FLAT WASHER 3/8
7	P0601007	LOCK WASHER 3/8
8	P0601008	HEX NUT 3/8-16
9	P0601009	BLOWER COVER
10	P0601010	HEX BOLT 1/2-13 X 1-1/2
11	P0601011	FLAT WASHER 1/2
12	P0601012	LOCK WASHER 1/2
13	P0601013	HEX NUT 1/2-13
14	P0601014	IMPELLER 16"
15	P0601015	FLAT WASHER 3/4
16	P0601016	HEX NUT 3/4-16 LH
17	P0601017	FOAM TAPE 3 X 6 X 1800MM
18	P0601018	IMPELLER HOUSING
19	P0601019	FLAT WASHER 5/16
20	P0601020	HEX BOLT 5/16-18 X 3/4
21	P0601021	OUTLET GASKET 456 X 226MM
22	P0601022	OUTLET PORT
23	P0601023	HEX BOLT 5/16-18 X 1
24	P0601024	FLAT WASHER 5/16
25	P0601025	HEX NUT 5/16-18
26	P0601026	HOSE CLAMP 8"
27-1V3	P0601027-1V3	FLEXIBLE HOSE 8" X 4-3/4" V3.11.09
27V3	P0601027V3	FLEXIBLE HOSE 8" X 23-1/2" V3.11.09
28	P0601028	LEFT FILTER L-BRACE
29	P0601029	RIGHT FILTER L-BRACE
30	P0601030	FILTER CROSS BRACE
30-1	P0601030-1	BRACE GASKET 240 X 32MM
31	P0601031	HEX BOLT 3/8-16 X 3/4
32	P0601032	FLAT WASHER 3/8
33	P0601033	HEX NUT 3/8-16
34	P0601034	HEX BOLT 5/16-18 X 3/4
35	P0601035	FLAT WASHER 5/16
38V2	P0601038V2	PLASTIC BAG 570 X 600MM V2.11.09
39	P0601039	FOAM TAPE 3 X 6 X 1600MM
40	P0601040	INTAKE CYLINDER 12"
41	P0601041	FLAT WASHER 5/16
42	P0601042	HEX BOLT 5/16-18 X 3/4

REF	PART #	DESCRIPTION
43	P0601043	BARREL GASKET 686MM DIA.
44	P0601044	HEX BOLT 5/16-18 X 3/4
45	P0601045	FLAT WASHER 5/16
46	P0601046	BARREL GASKET 686MM DIA.
47V3	P0601047V3	CYCLONE FUNNEL V3.07.20
48	P0601048	HEX BOLT 5/16-18 X 1
49V2	P0601049V2	INTAKE BARREL V2.07.20
50	P0601050	FLAT WASHER 5/16
51	P0601051	HEX NUT 5/16-18
52	P0601052	HOSE CLAMP 9"
53	P0601053	CLEAR FLEXIBLE PIPE 9" X 10"
54V2	P0601054V2	COLLECTION DRUM LID V2.07.20
55V2	P0601055V2	DRUM SEAL TYPE-R 2M V2.11.09
56V2	P0601056V2	UPPER DRUM 25GAL V2.07.20
57AV3	P0601057AV3	COLLECTION DRUM ASSY 55GAL V3.07.20
57V3	P0601057V3	COLLECTION DRUM 35GAL V3.07.20
58	P0601058	DRUM CLAMP
59	P0601059	HEX BOLT 5/16-18 X 3
60	P0601060	HEX NUT 5/16-18
66	P0601066	CASTER 2"
67	P0601067	HEX NUT 3/8-16
68	P0601068	LOCK WASHER 3/8
69	P0601069	FLAT WASHER 3/8
70V2	P0601070V2	COLLECTOR MOUNTING BRACKET V2.07.20
72	P0601072	FLAT WASHER 5/16
73	P0601073	LOCK NUT 5/16-18
74	P0601074	HEX BOLT 3/8-16 X 3/4
75	P0601075	FLAT WASHER 3/8
76	P0601076	HEX NUT 3/8-16
77V2	P0601077V2	UPPER STAND LEG V3.07.20
78V3	P0601078V3	UPPER STAND LEG V2.08.11
82V2	P0601082V2	LOWER STAND BRACE V2.07.20
86V3	P0601086V3	LOWER STAND LEG V3.07.20
90	P0601090	REDUCER 10" TO 8"
91	P0601091	TAP SCREW M4 X 12
100V2	P0601100V2	STAND SWITCH BRACKET CSA V2.03.12
104	P0601104	EXT TOOTH WASHER 1/2
105	P0601105	FOAM TAPE 3 X 15 X 700MM
106	P0601106	NOISE MUFFLER 8"
108	P0601108	MOTOR GASKET
109	P0601109	CYCLONE VACUUM PORT
110	P0601110	FLAT WASHER 5/16
111	P0601111	HEX BOLT 5/16-18 X 3/4
112	P0601112	PORT PLUG 1-1/4"
113	P0601113	FOAM TAPE 3 X 6 X 300MM
114	P0601114	VACUUM HOSE 1-1/4" X 98"
115	P0601115	COLLECTION DRUM VACUUM PORT
116	P0601116	FLAT WASHER 5/16
117	P0601117	HEX BOLT 5/16-18 X 3/4
118	P0601118	HOSE CLAMP 1-1/4"
119	P0601119	PORT PLUG 1-1/4"
120	P0601120	FOAM TAPE 3 X 6 X 300MM
121	P0601121	VACUUM HOSE CLIP 2-1/2"
122	P0601122	COLLECTION DRUM VACUUM RING
123	P0601123	DRUM COLLECTION BAG 640 X 1200MM
125	P0601125	GREEN GROUNDING WIRE 12G 6"
126	P0601126	JUNCTION BOX
127	P0601127	HEX BOLT 3/8-16 X 11



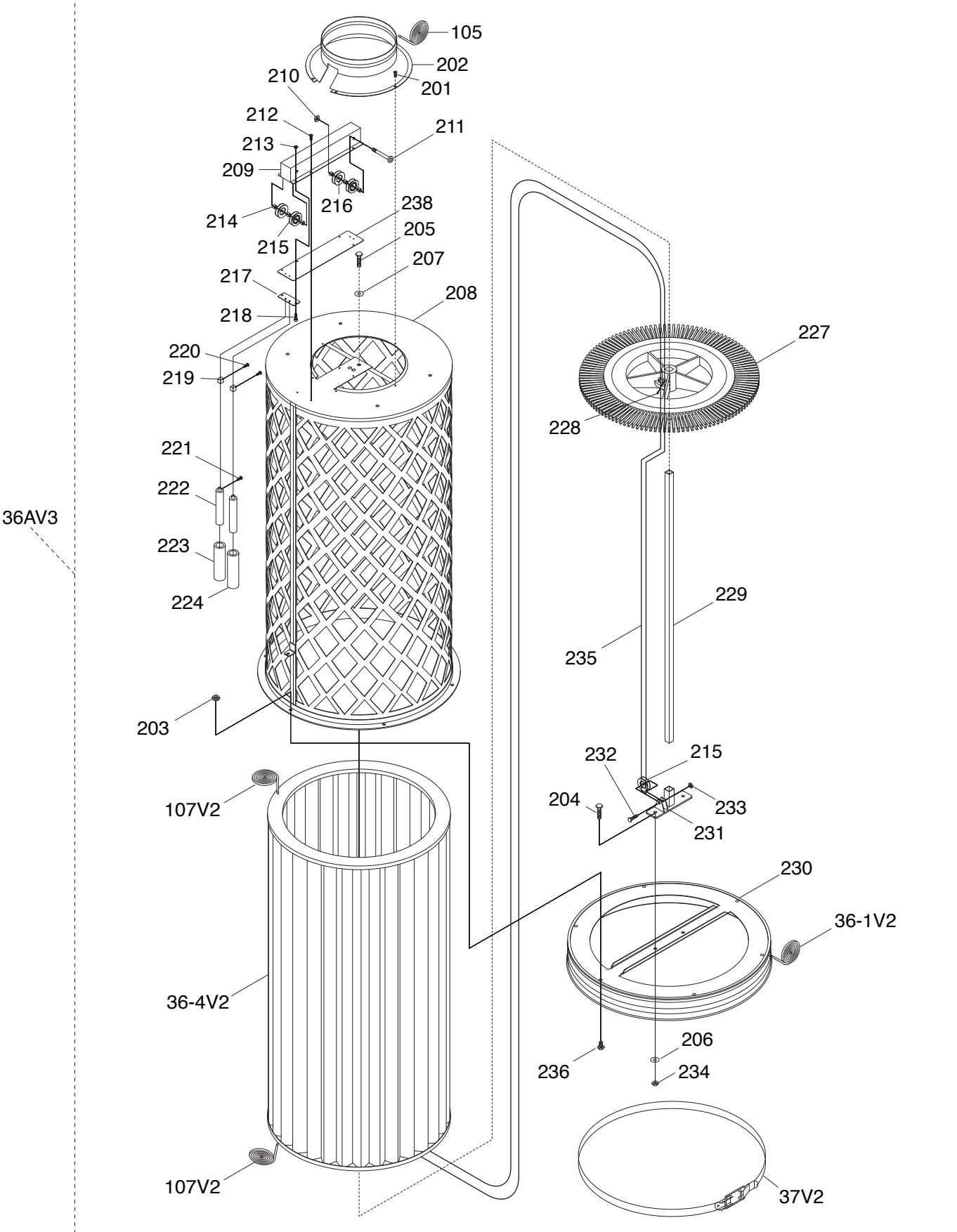
# G0601 Main Parts List Cont.

REF	PART #	DESCRIPTION
128	P0601128	CYCLONE FUNNEL ADAPTER
129	P0601129	HEX BOLT 3/8-16 X 1
130	P0601130	DRUM LID CONNECTING PLATE
131	P0601131	COLLECTION LID HANDLE
132	P0601132	DRUM LID SPRING
133	P0601133	DRUM WINDOW
134	P0601134	RIVET
135	P0601135	PHLP HD SCR 5/16-18 X 3/4
136	P0601136	ACORN NUT 5/16-18
137	P0601137	COLLECTION DRUM HANDLE PLASTIC
138	P0601138	CARRIAGE BOLT 5/16-18 X 3/4

REF	PART #	DESCRIPTION
139	P0601139	HANDLE HOOK
140	P0601140	HANDLE HOOK BRACKET
141	P0601141	FENDER WASHER 5/16
142	P0601142	FLAT WASHER 3/8 THIN
147	P0601147	STRAIN RELIEF M20-1.5
148	P0601148	STRAIN RELIEF M20-1.5
149	P0601149	STRAIN RELIEF M20-1.5
150	P0601150	STRAIN RELIEF M20-1.5
151	P0601151	STRAIN RELIEF M20-1.5
152	P0601152	CONTROL BOX CORD 12G 4W 650MM



# G0442/G0601 Canister Filter Parts



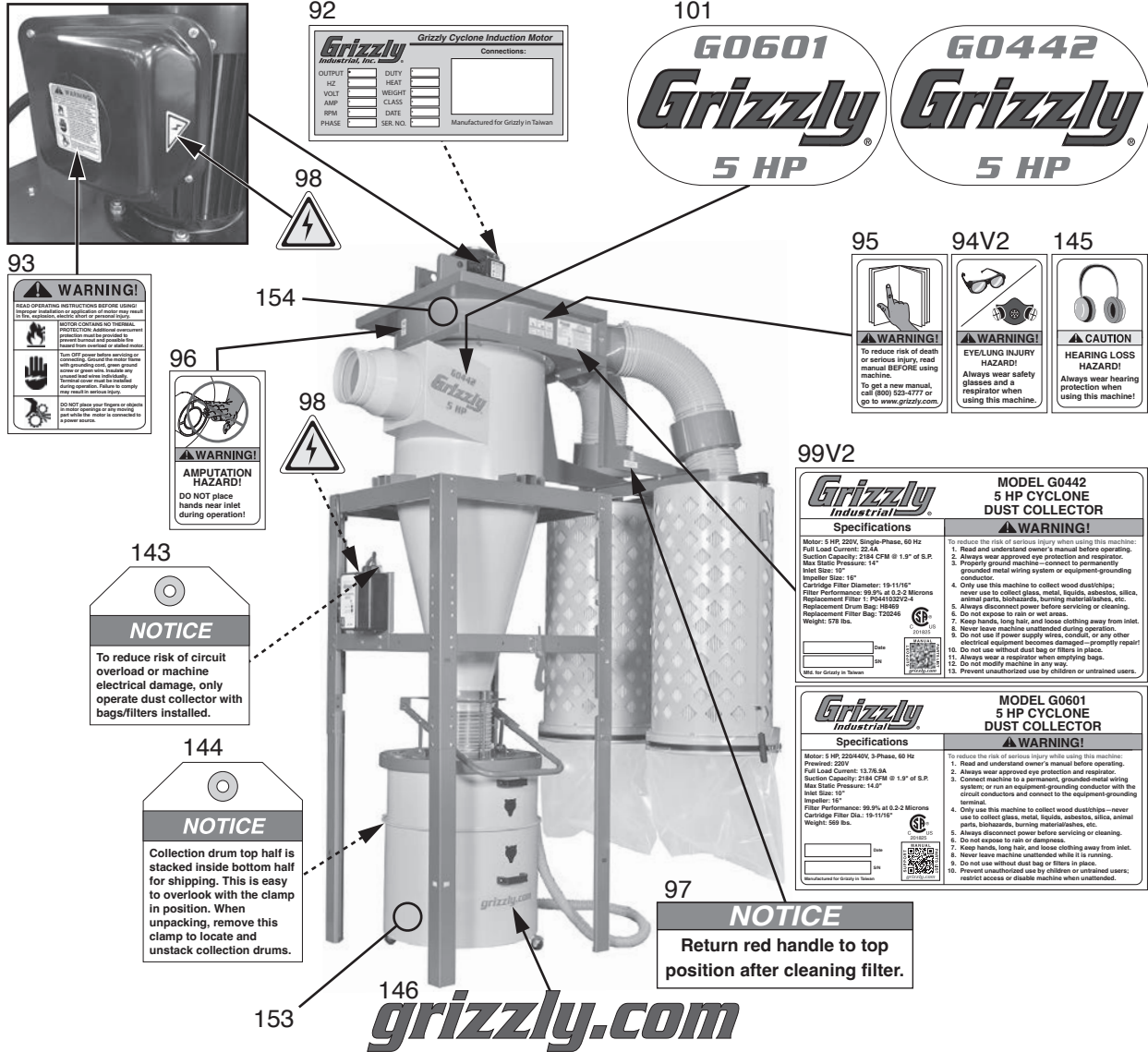
# G0442/G0601 Canister Filter Parts List

REF	PART #	DESCRIPTION
36AV2	P0442036AV2	CANISTER ASSEMBLY, GREEN V2.11.09
36-1V2	P0442036-1V2	GASKET 3 X 25 X 1700MM V2.11.09
36-4V2	P0442036-4V2	CANISTER FILTER 486 X 995MM W/TAPE V2.11.09
37V2	P0442037V2	FILTER BAG CLAMP 545MM V2.11.09
105	P0442105	FOAM TAPE 3 X 15 X 700MM
107V2	P0442107V2	GASKET 20 X 35 X 1460MM V2.07.11
201	P0442201	FLAT HD SCR M4-.7 X 12
202	P0442202	INLET ADAPTER 8", CANISTER FILTER
203	P0442203	FLANGE NUT 1/4-20
204	P0442204	HEX BOLT 5/16-18 X 3/4
205	P0442205	HEX BOLT 5/16-18 X 3/4
206	P0442206	FLAT WASHER 5/16
207	P0442207	FLAT WASHER 5/16
208	P0442208	CANISTER FILTER CAGE 500 X 1018MM
209	P0442209	PULLEY COVER
210	P0442210	LOCK NUT M6-1
211	P0442211	CAP SCREW M6-1 X 50
212	P0442212	FLAT HD SCR M4-.7 X 12
213	P0442213	HEX NUT 10-24
214	P0442214	BUSHING 6.4 X 9.5 X 6.9L
215	P0442215	WIRE ROPE PULLEY

REF	PART #	DESCRIPTION
216	P0442216	BALL BEARING 626ZZ
217	P0442217	PULLY COVER PLATE
218	P0442218	PHLP HD SCR 10-24 X 3/8
219	P0442219	WIRE ROPE GUIDE BLOCK
220	P0442220	PHLP HD SCR M4-.7 X 10
221	P0442221	PHLP HD SCR M4-.7 X 10
222	P0442222	HANDLE
223	P0442223	HANDLE COVER, BLACK
224	P0442224	HANDLE COVER, RED
227	P0442227	FILTER BRUSH
228	P0442228	SET SCREW M5-.8 X 10
229	P0442229	FILTER BRUSH SHAFT 16 X 16 X 1005MM
230	P0442230	CANISTER FILTER CAGE BASE
231	P0442231	BRUSH SHAFT SUPPORT BRACKET
232	P0442232	HEX BOLT M6-1 X 25
233	P0442233	LOCK NUT M6-1
234	P0442234	HEX NUT 5/16-18
235	P0442235	WIRE ROPE 2 X 39500MM
236	P0442236	FLAT HD SCR 1/4-20 X 3/4
238	P0442238	SLIDING WHEEL COVER GASKET



# G0442/G0601 Labels & Cosmetics



REF	PART #	DESCRIPTION
92	P0442092	MOTOR SPEC LABEL
93	P0442093	MOTOR WARNING LABEL
94V2	P0601094V2	GLASSES/RESPIRATOR LABEL 2W X 3.3H
95	P0442095	READ MANUAL 2W X 3.3H
96	P0442096	HANDS/INLET LABEL
97	P0442097	RETURN RED HANDLE LABEL
98	P0442098	ELECTRICITY 1.4W X 1.2H
99V2	P0442099V2	MACHINE ID LABEL CSA V2.01.12 (G0442)
99V2	P0601099V2	MACHINE ID LABEL CSA V2.01.12 (G0601)

REF	PART #	DESCRIPTION
101	P0442101	MODEL NUMBER LABEL (G0442)
101	P0601101	MODEL NUMBER LABEL (G0601)
143	P0442143	NOTICE CIRCUIT OVERLOAD
144	P0442144	NOTICE COLLECTION DRUM
145	P0442145	HEARING PROTECTION
146	P0442146	GRIZZLY.COM LABEL
153	P0442153	TOUCH-UP PAINT, GRIZZLY PUTTY
154	P0442154	TOUCH-UP PAINT, GRIZZLY GREEN

## ⚠️ WARNING

Safety labels help reduce the risk of serious injury caused by machine hazards. If any label comes off or becomes unreadable, the owner of this machine **MUST** replace it in the original location before resuming operations. For replacements, contact (800) 523-4777 or [www.grizzly.com](http://www.grizzly.com).

