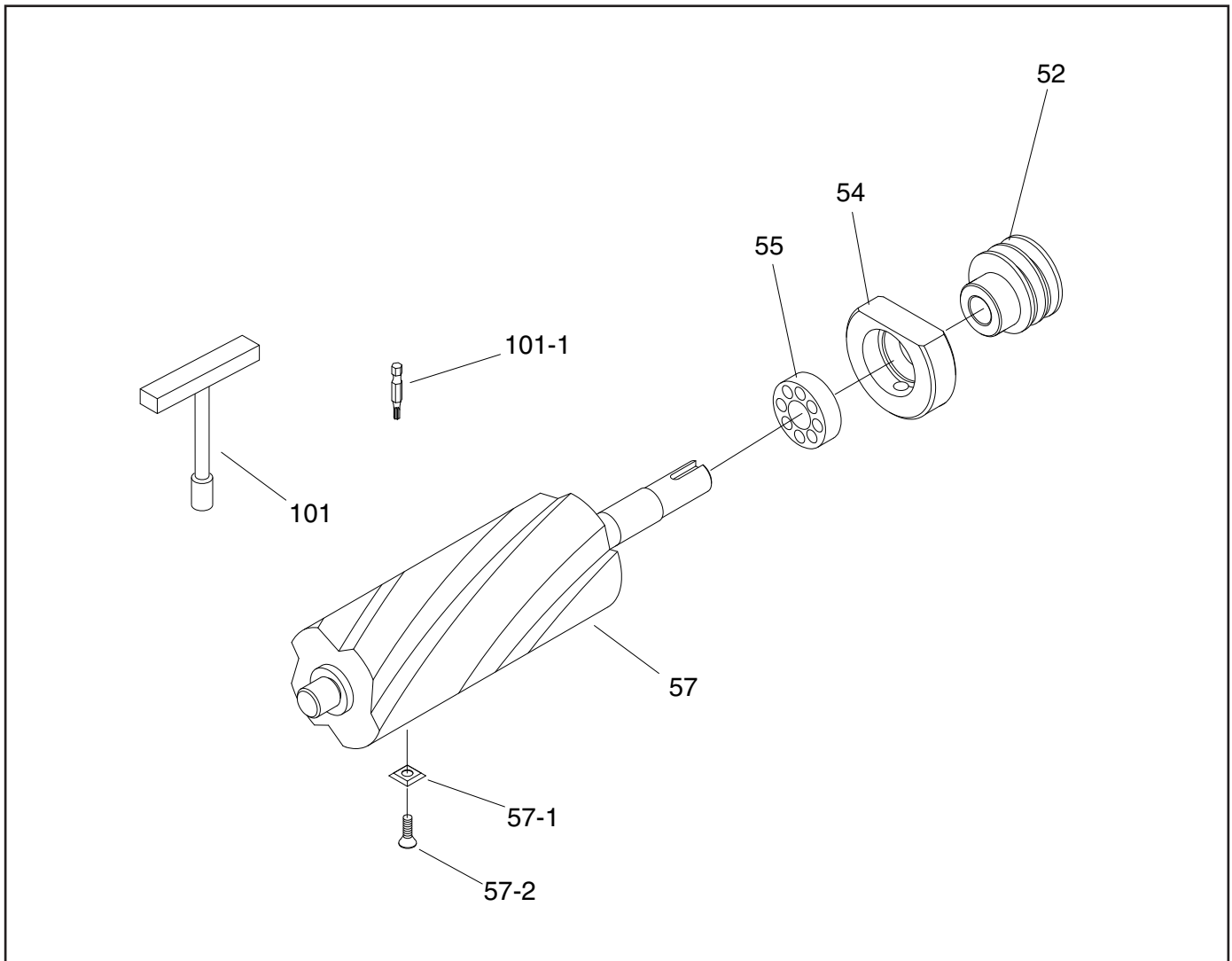


Model G0593 Replacement Parts



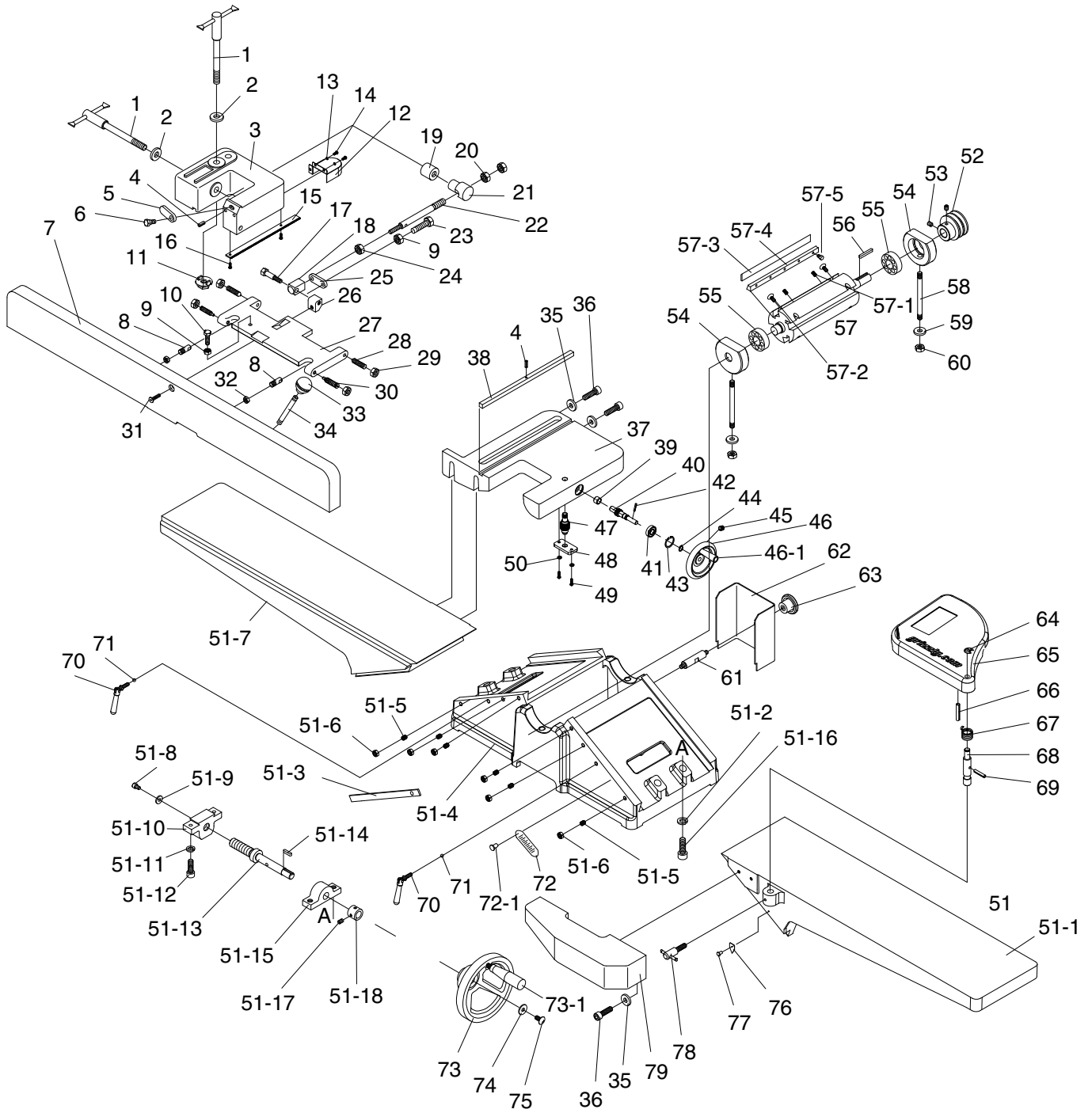
REF	PART #	DESCRIPTION
52	P0593052	2 SHEAVE CUTTERHEAD PULLEY
54	P0593054	BEARING BLOCK
55	P6205	BALL BEARING 6205
57	P0543201	SPIRAL CUTTERHEAD 8"
57-1	P0543221	INDEXABLE CARBIDE INSERT
57-2	PFH35M	FLAT HD TORX SCR M6-1 X 15
101	P0593101	TORX T-HANDLE DRIVER 6MM
101-1	P9740Z1722	TORX BIT T-20

NOTICE

All parts for the Model G0593, except those shown above, are the same as the Model G0586. Therefore, please use the included Model G0586 Manual when ordering new parts for your machine, unless those parts are shown above.

COPYRIGHT © MAY, 2005. BY GRIZZLY INDUSTRIAL, INC.
**WARNING: NO PORTION OF THIS MANUAL MAY BE REPRODUCED IN ANY SHAPE
 OR FORM WITHOUT THE WRITTEN APPROVAL OF GRIZZLY INDUSTRIAL, INC.**
 #TR7280 PRINTED IN CHINA

Jointer Parts Breakdown

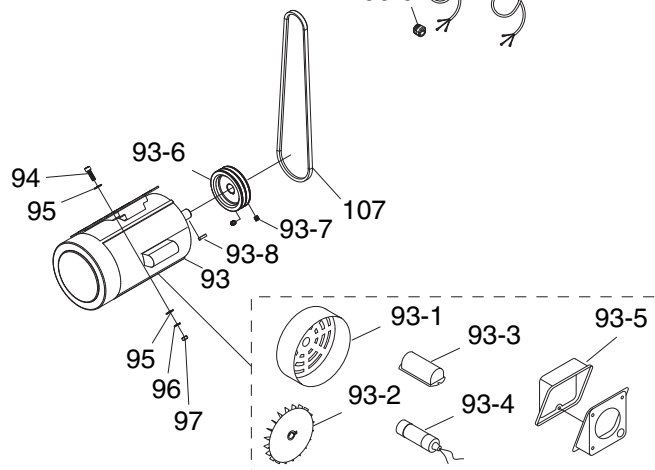
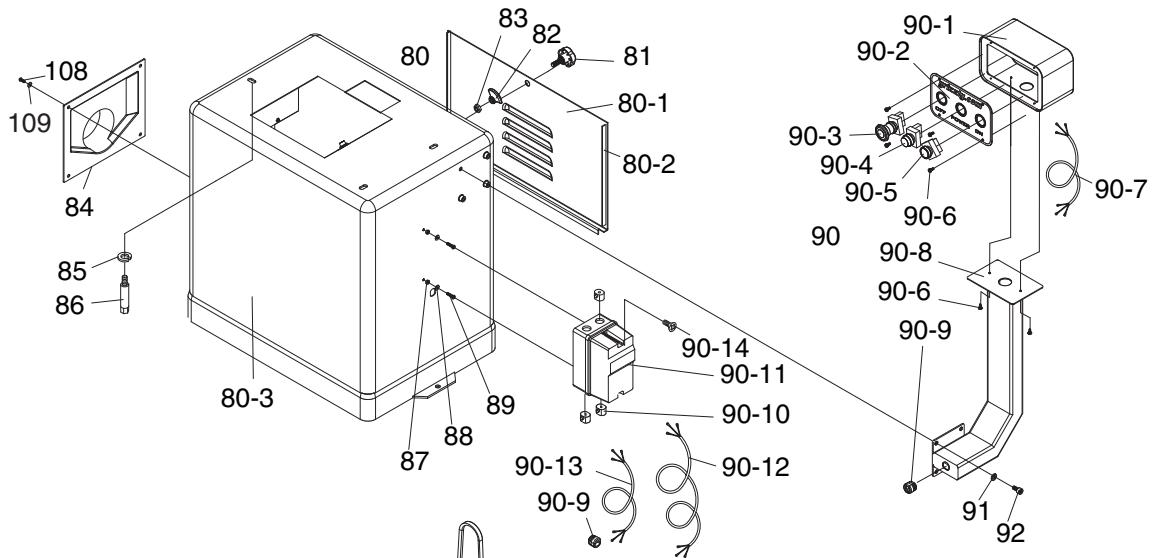
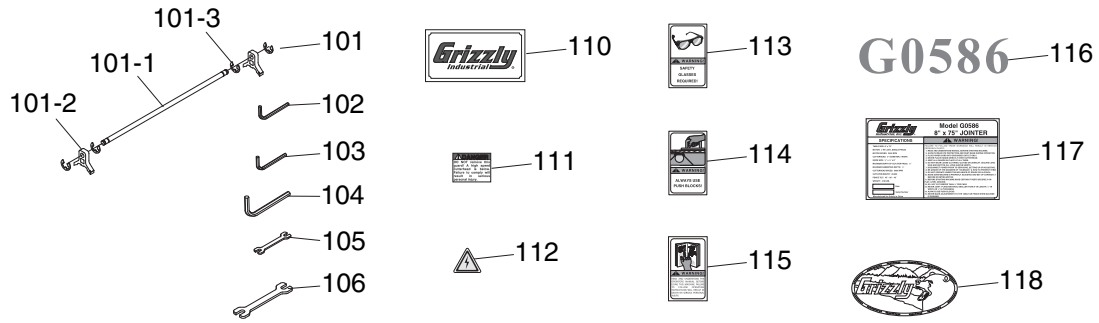


Jointer Parts List

REF	PART #	DESCRIPTION
1	P0586001	FENCE LOCK HANDLE
2	P0586002	FLAT WASHER 1/2
3	P0586003	FENCE BRACKET
4	P0586004	ROLL PIN 4 X 14
5	P0586005	STOP TAB
6	P0586006	SHOULDER BOLT 5/16-18 X 5/8
7	P0586007	FENCE
8	P0586008	SWIVEL SHAFT
9	PN02	HEX NUT 5/16-18
10	PB12	HEX BOLT 5/16-18 X 1-1/4
11	P0586011	FENCE LOCK NUT
12	P0586012	COVER
13	PW03	FLAT WASHER #10
14	PS06	PHLP HD SCR 10-24 X 3/8
15	P0586015	TOOTH GIB
16	PS01	PHLP HD SCR 10-24 X 1/2
17	P0586017	SHOULDER BOLT
18	P0586018	TAB BLOCK
19	P0586019	SPACING COLLAR
20	PN09	HEX NUT 5/8-18
21	P0586021	PIVOT NUT
22	P0586022	FENCE ADJUSTMENT STUD
23	PB22	HEX BOLT 5/16-18 X 1-3/4
24	PN19	HEX NUT 7/16-14
25	P0586025	STOP TAB
26	P0586026	FENCE BRACKET
27	P0586027	FENCE HINGE
28	P0586028	CONE SET SCREW 3/8-16 X 1-1/2
29	PN08	HEX NUT 3/8-16
30	P0586030	CONE SET SCREW 3/8-16 X 1-1/2
31	PB76	HEX BOLT 5/16-18 X 1-5/8
32	PN01	HEX NUT 1/2-20
33	P0586033	BALL KNOB 3/8-16
34	P0586034	HANDLE
35	PW02	FLAT WASHER 3/8
36	PSB26	CAP SCREW 3/8-16 X 1-1/2
37	P0586037	TABLE BRACKET
38	P0586038	FENCE KEY
39	P0586039	BUSHING
40	P0586040	WORM GEAR
41	P0586041	RADIAL BALL BEARING 6000
42	PRP42M	ROLL PIN 3 X 20
43	PR20M	INT RETAINING RING 28MM
44	PR03M	EXT RETAINING RING 12MM
45	PSS11	SET SCREW 1/4-20 X 1/4
46	P0586046	HANDWHEEL
46-1	P0586046-1	HANDLE
47	P0586047	WORM GEAR
48	P0586048	BRACKET
49	PS22	PHLP HD SCR 10-24 X 5/8
50	PLW03	LOCK WASHER #10
51	P0586051	TABLE ASSEMBLY
51-1	P0586051-1	INFEED TABLE

REF	PART #	DESCRIPTION
51-2	PLW07	LOCK WASHER 1/2
51-3	P0586051-3	GIB
51-4	P0586051-4	BASE
51-5	PSS01	SET SCREW 5/16-18 x 1
51-6	PN02	HEX NUT 5/16-18
51-7	P0586051-7	OUTFEED TABLE
51-8	PSB30	CAP SCREW 5/16-18 X 1/2
51-9	PW07	FLAT WASHER 5/16
51-10	P0586051-10	TABLE BRACKET
51-11	PLW04	LOCK WASHER 3/8
51-12	PSB19	CAP SCREW 3/8-16 X 1-1/4
51-13	P0586051-13	WORM GEAR
51-14	PK01M	KEY 5 X 5 X 22
51-15	P0586051-15	BRACKET
51-16	PSB44	CAP SCREW 1/2-12 X 1-3/4
51-17	PSS03	SET SCREW 1/4-20 X 3/8
51-18	P0586051-18	COLLAR
52	P0586052	CUTTERHEAD PULLEY
53	PSS02	SET SCREW 5/16-18 X 3/8
54	P0586054	BEARING HOUSING
55	P6204	RADIAL BALL BEARING 6204
56	PK01M	KEY 5 X 5 X 22
57	P0586057	CUTTERHEAD
57-1	P0586057-1	COMPRESSION SPRING
57-2	P0586057-2	JACK SCREW
57-3	P0586057-3	KNIVES-SET OF 4
57-4	P0586057-4	KNIFE GIB
57-5	P0586057-5	HEX HD GIB BOLT
58	P0586058	STUD
59	PW02	FLAT WASHER 3/8
60	PN08	HEX NUT 3/8-16
61	P0586061	SPECIAL DOUBLE END STUD
62	P0586062	BELT GUARD
63	P0586063	ROUND KNOB 5/16-18
64	PR48M	EXT RETAINING RING 11MM
65	P0586065	CUTTERHEAD GUARD
66	PRP31M	ROLL PIN 6 X 36
67	P0586067	TORSION SPRING
68	P0586068	PIVOT SHAFT
69	PRP27M	ROLL PIN 5 X 28
70	P0586070	SWIVELING LOCK HANDLE
71	P5960850	STEEL BALL 6MM
72	P0586072	DEPTH SCALE
72-1	P4000809	RIVET 2 X 5
73	P0586073	6" HANDWHEEL
73-1	P0586073-1	HANDLE
74	PW07	FLAT WASHER 5/16
75	PS38	PHLP HD SCR 5/16-18 X 1/2
76	P0586076	DEPTH POINTER
77	PS23	PHLP HD SCR 8-32 X 1/4
78	P0586078	GUARD LOCK HANDLE
79	P0586079	RABBET TABLE

Stand/Motor Parts Breakdown



Stand/Motor Parts List

REF	PART #	DESCRIPTION
80	P0586080	STAND ASSEMBLY
80-1	P0586080-1	COVER
80-2	P0586080-2	SEAL
80-3	P0586080-3	CABINET STAND
81	P0586081	STAR KNOB 3/8-16 x 7/8
82	P0586082	LATCH
83	PN08	HEX NUT 3/8-16
84	P0586084	DUST PORT
85	PLW04	LOCK WASHER 3/8
86	P0586086	SPEICAL MOUNTING BOLT
87	PN06M	HEX NUT M5-.8
88	PW02M	FLAT WASHER 5MM
89	PS06M	PHLP HD SCR M5-.8 X 20
90	P0586090	PEDESTAL SWITCH ASSEMBLY
90-1	P0586090-1	SWITCH BOX
90-2	P0586090-2	SWITCH PANEL
90-3	P0586090-3	STOP SWITCH XB4-BS542(TE)
90-4	P0586090-4	POWER LIGHT XB4-BG21(TE)
90-5	P0586090-5	START SWITCH XB4-BA31(TE)
90-6	PS09M	PHLP HD SCR M5-.8 X 10
90-7	P0586090-7	CONTROL CORD 14AWG
90-8	P0586090-8	PEDESTAL ARM
90-9	P0586090-9	RELIEF SB8R-3
90-10	P0586090-10	STRAIN RELIEF 1/2
90-11	P0586090-11	MAGNETIC SWITCH
90-12	PWRCRD220L	POWER CORD
90-13	PWRCRD220S	MOTOR CORD
90-14	P0586090-14	PLASTIC SWITCH CVR SCREW
91	PW01M	FLAT WASHER 8MM
92	PB09M	HEX BOLT M8-1.25 X 20
93	P0586093	MOTOR
93-1	P0586093-1	FAN COVER

REF	PART #	DESCRIPTION
93-2	P0586093-2	FAN
93-3	P0586093-3	CAPACITOR COVER
93-4	PC400S	S. CAPACITOR 400M 125V
93-5	P0586093-5	JUNCTION BOX
93-6	P0586093-6	MOTOR PULLEY
93-7	PSS15	SET SCREW 3/8-16 X 3/8
93-8	PK12M	KEY 5 X 5 X 30
94	PSB03	CAP SCREW 5/16-18 X 1
95	PW07	FLAT WASHER 5/16
96	PLW01	LOCK WASHER 5/16
97	PN02	HEX NUT 5/16-18
101	P0586101	KNIFE SETTING JIG ASSEMBLY
101-1	P0586101-1	KNIFE SETTING JIG ROD
101-2	P0586101-2	KNIFE SETTING JIG FOOT
101-3	PEC10M	E-CLIP 9MM
102	PAW03M	HEX WRENCH 3MM
103	PAW04M	HEX WRENCH 4MM
104	PAW05M	HEX WRENCH 5MM
105	PWR810	WRENCH 8 X 10
106	PWR1214	WRENCH 12 X 14
107	PVM40	V-BELT M40 3L400
108	PS07	PHLP HD SCR 1/4-20 x 3/8
109	PW06	FLAT WASHER 1/4
110	P0586110	GRIZZLY LOGO-FLAT METALLIC
111	P0586111	CUTTERHEAD GUARD WARNING
112	PLABEL-14	ELECTRICITY TRIANGLE
113	PLABEL-11	SAFETY GLASSES WARNING
114	P0586114	PUSH BLOCKS WARNING
115	PLABEL-12	READ MANUAL WARNING
116	P0586116	G0586 MODEL NUMBER LABEL
117	G8588	CAST GRIZZLY LOGO PLATE