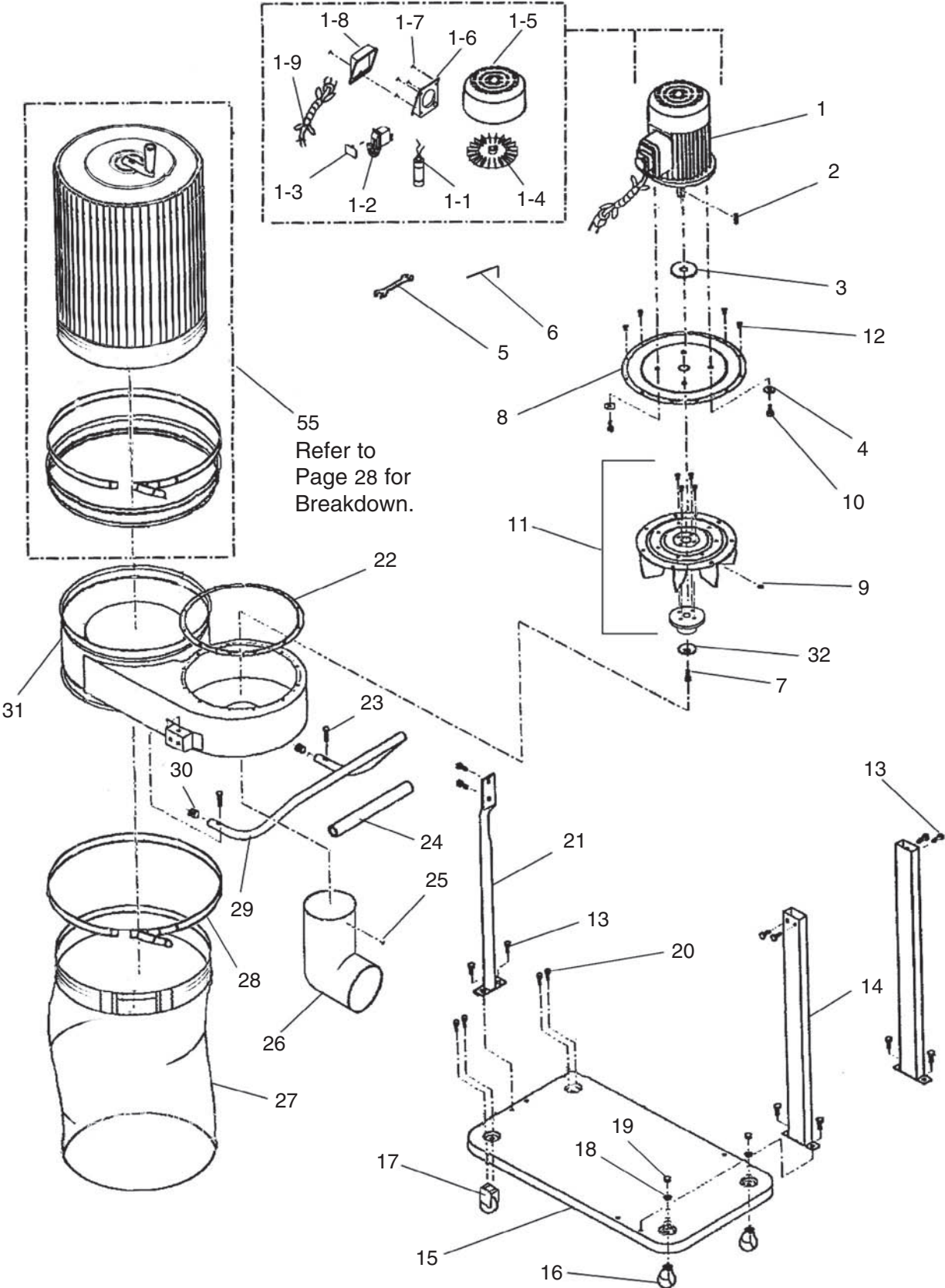
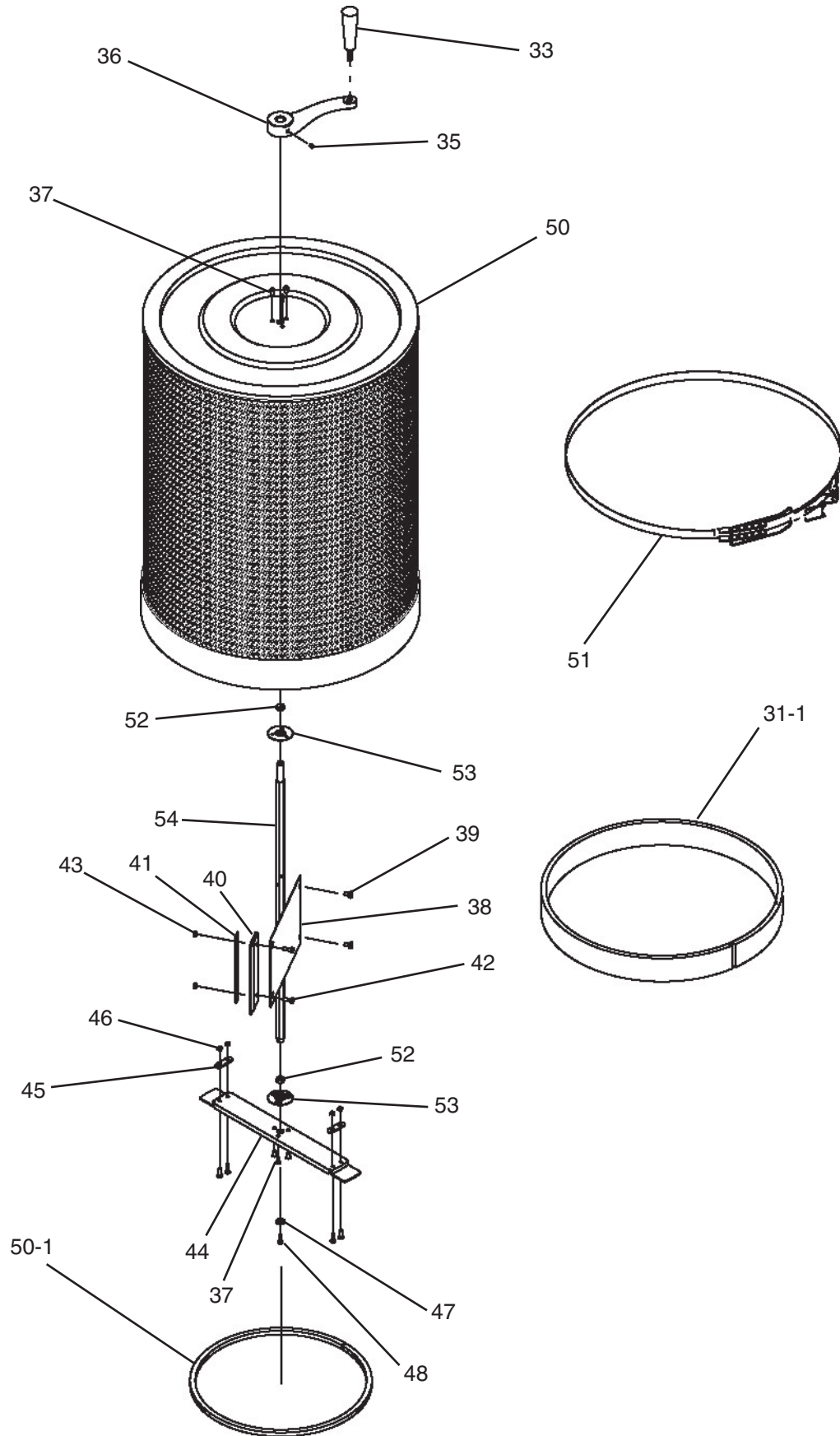


G0583 Parts Breakdown



Canister Breakdown



Parts List

REF	PART #	DESCRIPTION
1	P0583001	1 HP MOTOR
1-1	PC035	S. CAPACITOR 35MFD/300V
1-2	PSW09	SWITCH
1-3	PSW09-1	SWITCH KEY
1-4	P0583031-4	FAN
1-5	P0583031-5	FAN COVER
1-6	P0583031-6	SWITCH HOUSING
1-7	PFS03	FLANGE SCR 10-24 X 3/8"
1-8	P0583031-8	SWITCH COVER
1-9	P0583031-9	POWER CORD
2	PK01M	KEY 5 X 5 X 22MM
3	P0583003	SHAFT SEAL
4	PW06	FLAT WASHER 1/4"
5	PWR1012	WRENCH 10-12MM
6	PAW05M	5MM HEX WRENCH
7	PSB02M	CAP SCREW M6-1.0 X 20
8	P0583008	INLET COVER
9	PSS17	SET SCREW 5/16"-18 X 5/16"
10	PB19	HEX BOLT 1/4"-20 X 1/2"
11	P0583011	IMPELLER/HUB ASSEMBLY
12	PS09M	PHLP HD SCR M5-0.8 X 10
13	PB09	HEX BOLT 5/16"-18 X 1/2"
14	P0583014	RECTANGLE SUPPORT LEG
15	P0583015	BASE
16	P0583016	SWIVEL CASTER
17	P0583017	FIXED CASTER
18	PW07	FLAT WASHER 5/16"
19	PN40	ACORN NUT 5/16"-18
20	PB04M	HEX BOLT M6-1.0 X 10
21	P0583021	ROUND SUPPORT LEG
22	P0583022	FOAM GASKET
23	PFH25	FLAT HD SCR 5/16"-18 X 1"

REF	PART #	DESCRIPTION
24	P0583024	FOAM HAND GRIP
25	PFS03	FLANGE SCR 10-24 X 3/8"
26	P0583026	4" ELBOW
27	H7290	DUST STORAGE BAG
28	P0583028	LOWER BAG CLAMP
29	P0583029	HAND RAIL
30	P0583030	PLASTIC CAP 5/8"
31	P0583031	IMPELLER HOUSING
31-1	P0583031-1	FOAM STRP 5 X 42MM
32	P0583032	6MM CONCAVE WASHER
33	P0583033	HANDLE
35	PSS01M	SET SCREW M6-1.0 X 10
36	P0583036	HANDLE
37	PS09M	PHLP HD SCR M5-.8 X 10
38	P0583038	FLAP BOARD
39	PB04M	HEX BOLT M6-1 X 10
40	P0583040	RUBBER FLAP
41	P0583041	FLAP PLATE
42	PS20M	PHLP HD SCR M5-.8 X 15
43	PLN02M	LOCK NUT M5-.8
44	P0583044	BOTTOM PLATE
45	P0583045	SUPPORT TAB
46	PN06M	HEX NUT M5-.8
47	PW06	FLAT WASHER 1/4"
48	PS68M	PHLP HD SCR M6-1 X 10
50	P0583050	FILTER
50-1	P0583050-1	FOAM GASKET 10 X 15 MM
51	P0583051	CANISTER BAND CLAMP
52	P0583052	THREAD BEARING
53	P0583053	BEARING PLATE
54	P0583054	HEX SPINDLE
55	P0583055	COMPLETE CANISTER ASSY