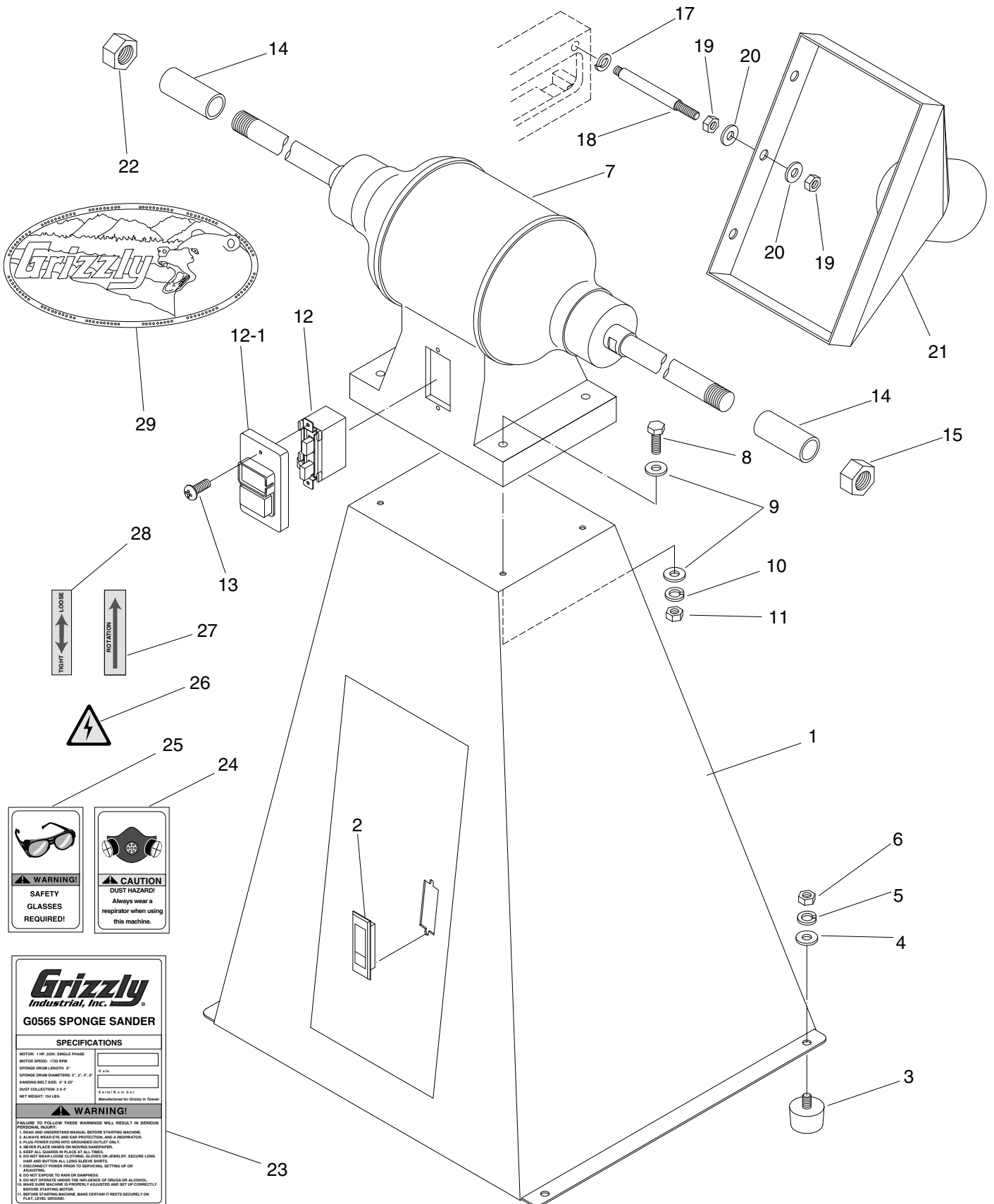


G0565 Parts Breakdown





WARNING!
SAFETY
GLASSES
REQUIRED!



CAUTION!
DUST HAZARD!
Always wear a
respirator when using
this machine.

Grizzly
Industrial, Inc.

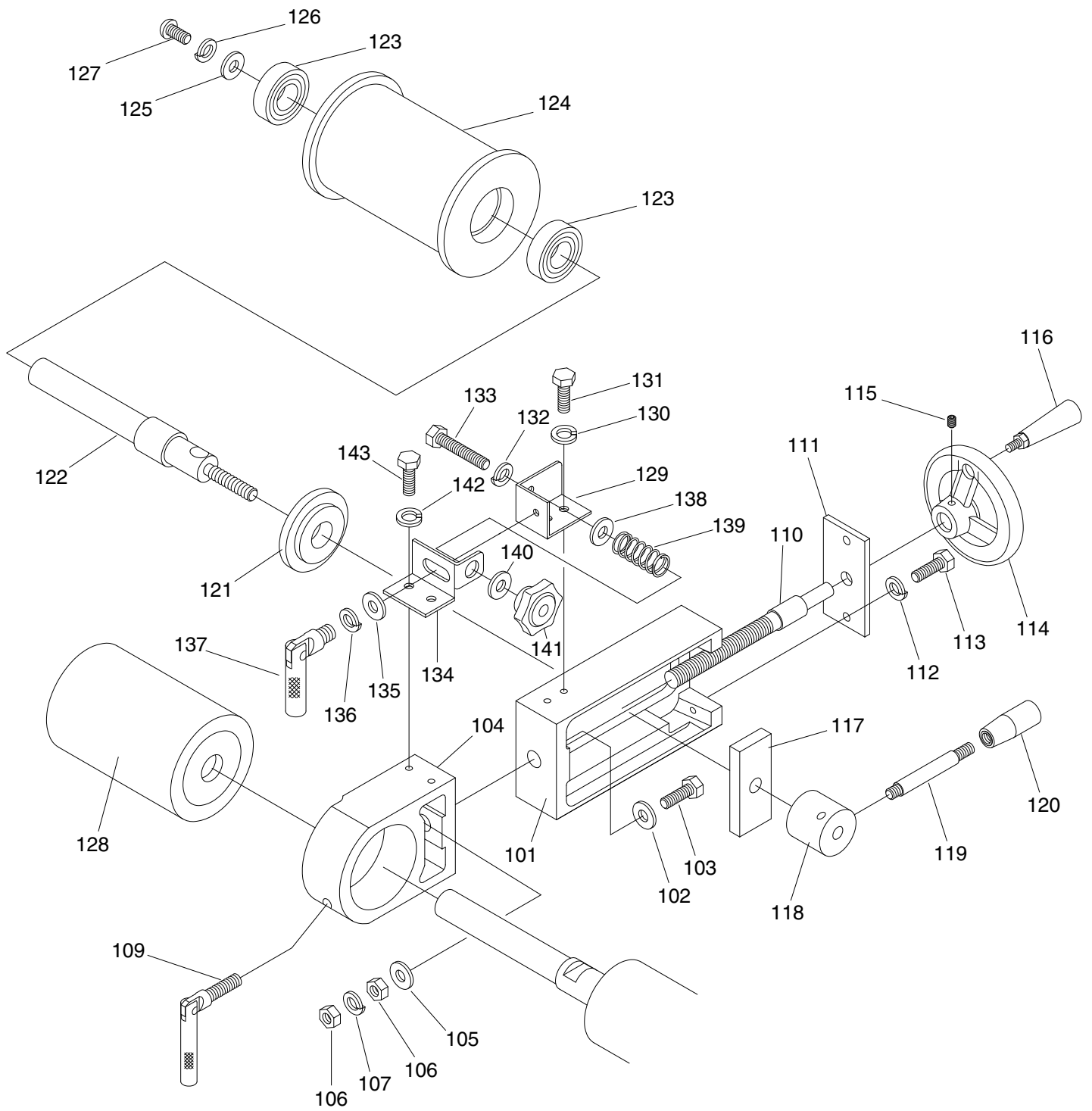
G0565 SPONGE SANDER

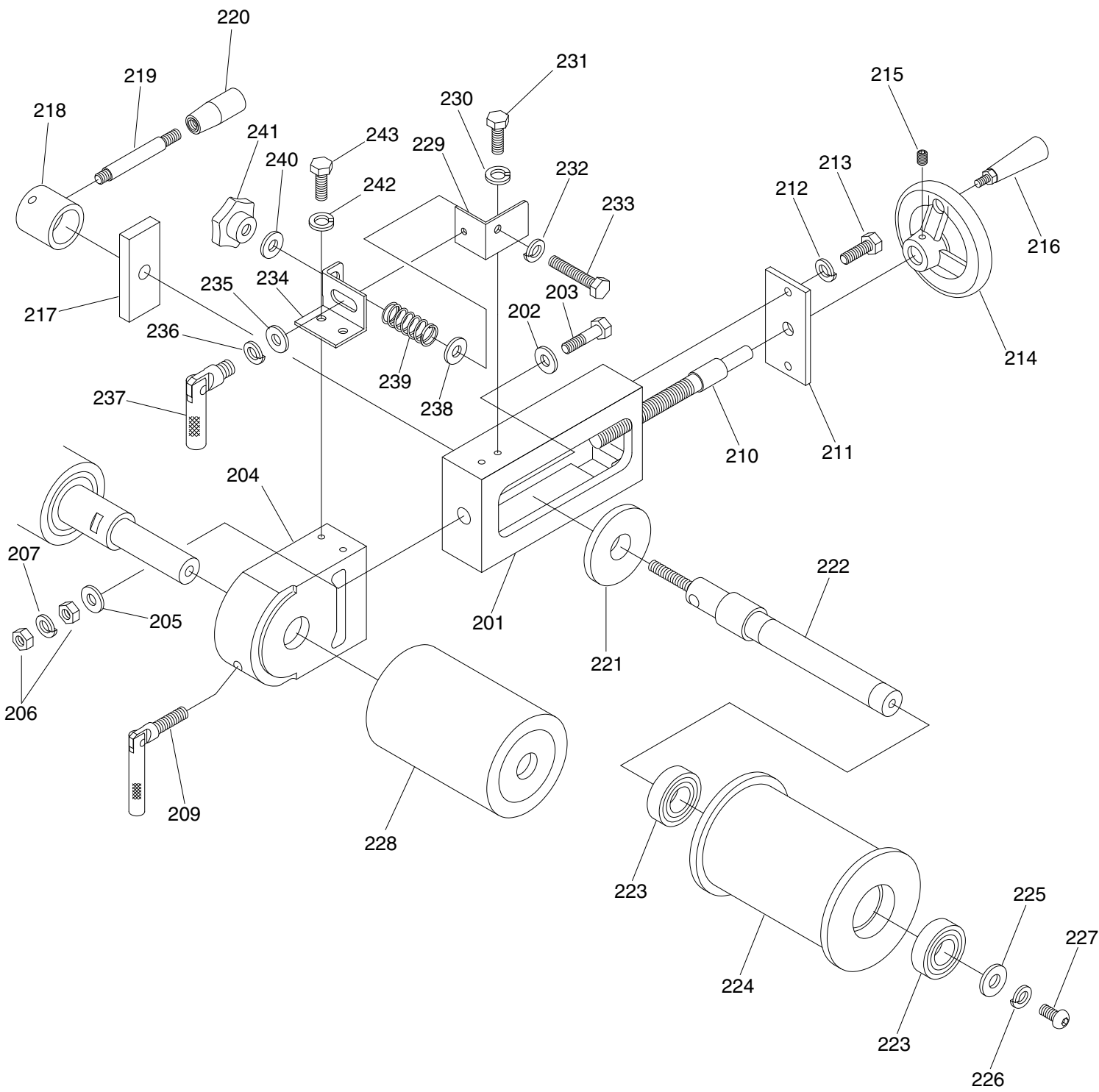
SPECIFICATIONS

MOTOR: 1 HP, 230V, SINGLE PHASE	
MOTOR SPEED: 1725 RPM	
SPONGE DRUM LENGTH: 6"	7 1/2" DIA.
SPONGE DRUM DIAMETERS: 3", 3", 4", 6"	
SANDING BELT SIZE: 18 x 10"	
DUST COLLECTION: 2 x 4"	2 x 10 1/8" x 10 x 1"
NET WEIGHT: 154 LBS.	Manufacturer for Grizzly in Taiwan

WARNING!
FAILURE TO FOLLOW THESE WARNINGS WILL RESULT IN SERIOUS PERSONAL INJURY.

1. READ AND UNDERSTAND MANUAL BEFORE STARTING MACHINE.
2. ALWAYS WEAR EYE AND EAR PROTECTION, AND A RESPIRATOR.
3. PLUG POWER CORD INTO GROUNDED OUTLET ONLY.
4. NEVER PLACE HANDS ON MOVING SANDPAPER.
5. KEEP ALL TOOLS AND PIECES AT ALL TIMES.
6. DO NOT WEAR LOOSE CLOTHING, GLOVES OR JEWELRY. SECURE LONG HAIR AND MUSTACHE ALL LONG SLEEVE SHIRTS.
7. DISCONNECT POWER PRIOR TO SERVICING, SETTING UP OR ADJUSTING.
8. DO NOT EXPOSE TO RAIN OR DAMPNESS.
9. DO NOT OPERATE UNDER THE INFLUENCE OF DRUGS OR ALCOHOL.
10. ALWAYS SAFELY AND CORRECTLY DISCONNECT AND SET UP CORRECTLY BEFORE STARTING MOTOR.
11. BEFORE STARTING MACHINE, MAKE CERTAIN IT RESTS SECURELY ON FLAT, LEVEL GROUND.





G0565 Parts List

REF PART #	DESCRIPTION
1	P0565001 STAND
2	P0565002 LATCH
3	P0565003 RUBBER FOOT 3/8-16
4	PW02 FLAT WASHER 3/8
5	PLW04 LOCK WASHER 3/8
6	PN08 HEX NUT 3/8-16
7	P0565007 MOTOR 1 HP 220V
8	PB73M HEX BOLT M10-1.5 X 50
9	PW04M FLAT WASHER 10MM
10	PLW06M LOCK WASHER 10MM
11	PN02M HEX NUT M10-1.5
12	P0565012 ON/OFF SWITCH
12-1	P0565012-1 SWITCH COVER PLATE
13	PS56M PHLP HD SCR M4-.7 X 16
14	P0565014 SPACER
15	P0565015 HEX NUT 1-12 UNF
17	PLW04 LOCK WASHER 3/8
18	P0565018 SHAFT
19	PN06 HEX NUT 1/2-12
20	PW01 FLAT WASHER 1/2
21	P0565021 DUST HOOD
22	P0565022 HEX NUT 1-12 (LH)
23	P0565023 MACHINE ID LABEL
24	PLABEL-32 DUST MASK LABEL
25	PLABEL-11 SAFETY GLASSES LABEL
26	PLABEL-14 ELECTRICITY LABEL
27	P0565027 ROTATION DIRECTION LABEL
28	P0565028 TIGHT/LOOSE LABEL

REF PART #	DESCRIPTION
29	P0565029 LOGO PLATE
101	P0565101 ADJUSTMENT BLOCK (L)
102	PW01M FLAT WASHER 8MM
103	PB30M HEX BOLT M8-1.25 X 55
104	P0565104 ROTATION COLLAR (L)
105	PW01M FLAT WASHER 8MM
106	PN03M HEX NUT M8-1.25
107	PLW04M LOCK WASHER 8MM
109	P0565109 LOCK HANDLE 3/8
110	P0565110 ADJUSTMENT SCREW 5/8 (L)
111	P0565111 SUPPORTING PLATE
112	PLW03M LOCK WASHER 6MM
113	PB83M HEX BOLT M6-1.0 X 16
114	P0565114 HANDWHEEL
115	PSS16M SET SCREW M8-1.25 X 10
116	P0565116 HANDLE M8-1.25
117	P0565117 LOCK PLATE
118	P0565118 SPECIAL NUT
119	P0565119 HAND LEVER 3/8-16 X 95
120	P0565120 HANDLE 3/8-16
121	P0565121 FLANGE
122	P0565122 SHAFT (L)
123	P6205 BALL BEARING 6205
124	P0565124 ALUMINUM DRUM
125	PW04M FLAT WASHER 10MM
126	PLW06M LOCK WASHER 10MM
127	P0565127 BTN HD CAP SCR M10-1.5 X 20
128	P0565128 SPONGE DRUM 4 X 6 X 1 (H)

REF PART #	DESCRIPTION
129	P0565129 BRACKET (L)
130	PLW03M LOCK WASHER 6MM
131	PB02M HEX BOLT M6-1.0 X 12
132	PLW04 LOCK WASHER 3/8
133	PB60 HEX BOLT 3/8-16 X 3
134	P0565134 BRACKET (L)
135	PW02 FLAT WASHER 3/8
136	PLW04 LOCK WASHER 3/8
137	P0565137 LOCK HANDLE 3/8 X 12
138	PW02 FLAT WASHER 3/8
139	P0565139 SPRING 2.0 X 67MM
140	PW02 FLAT WASHER 3/8
141	P0565141 STAR KNOB 3/8-16 (FEMALE)
142	PLW03M LOCK WASHER 6MM
143	PB02M HEX BOLT M6-1.0 X 12
201	P0565201 ADJUSTMENT BLOCK (R)
202	PW01M FLAT WASHER 8MM
203	PB30M HEX BOLT M8-1.25 X 55
204	P0565204 ROTATION COLLAR (R)
205	PW01M FLAT WASHER 8MM
206	PN03M HEX NUT M8-1.25
207	PLW04M LOCK WASHER 8MM
209	P0565109 LOCK HANDLE 3/8
210	P0565210 ADJUSTMENT SCREW 5/8 (R)
211	P0565111 SUPPORTING PLATE
212	PLW03M LOCK WASHER 6MM
213	PB83M HEX BOLT M6-1.0 X 16
214	P0565114 HANDWHEEL
215	PSS16M SET SCREW M8-1.25 X 10

REF PART #	DESCRIPTION
216	P0565116 HANDLE M8-1.25
217	P0565117 LOCK PLATE
218	P0565118 SPECIAL NUT
219	P0565119 HAND LEVER 3/8-16 X 95
220	P0565120 HANDLE 3/8-16
221	P0565121 FLANGE
222	P0565222 SHAFT (R)
223	P6205 BALL BEARING 6205
224	P0565124 ALUMINUM DRUM
225	PW04M FLAT WASHER 10MM
226	PLW06M LOCK WASHER 10MM
227	P0565227 BTN HD CAP SCR M10-1.5 X 20
228	P0565128 SPONGE DRUM 4 X 6 X 1 (H)
229	P0565229 BRACKET (R)
230	PLW03M LOCK WASHER 6MM
231	PB02M HEX BOLT M6-1.0 X 12
232	PLW04 LOCK WASHER 3/8
233	PB60 HEX BOLT 3/8-16 X 3
234	P0565234 BRACKET (R)
235	PW02 FLAT WASHER 3/8
236	PLW04 LOCK WASHER 3/8
237	P0565137 LOCK HANDLE 3/8 X 12
238	PW02 FLAT WASHER 3/8
239	P0565139 SPRING 2.0 X 67MM
240	PW02 FLAT WASHER 3/8
241	P0565141 STAR KNOB 3/8-16 (FEMALE)
242	PLW03M LOCK WASHER 6MM
243	PB02M HEX BOLT M6-1.0 X 12