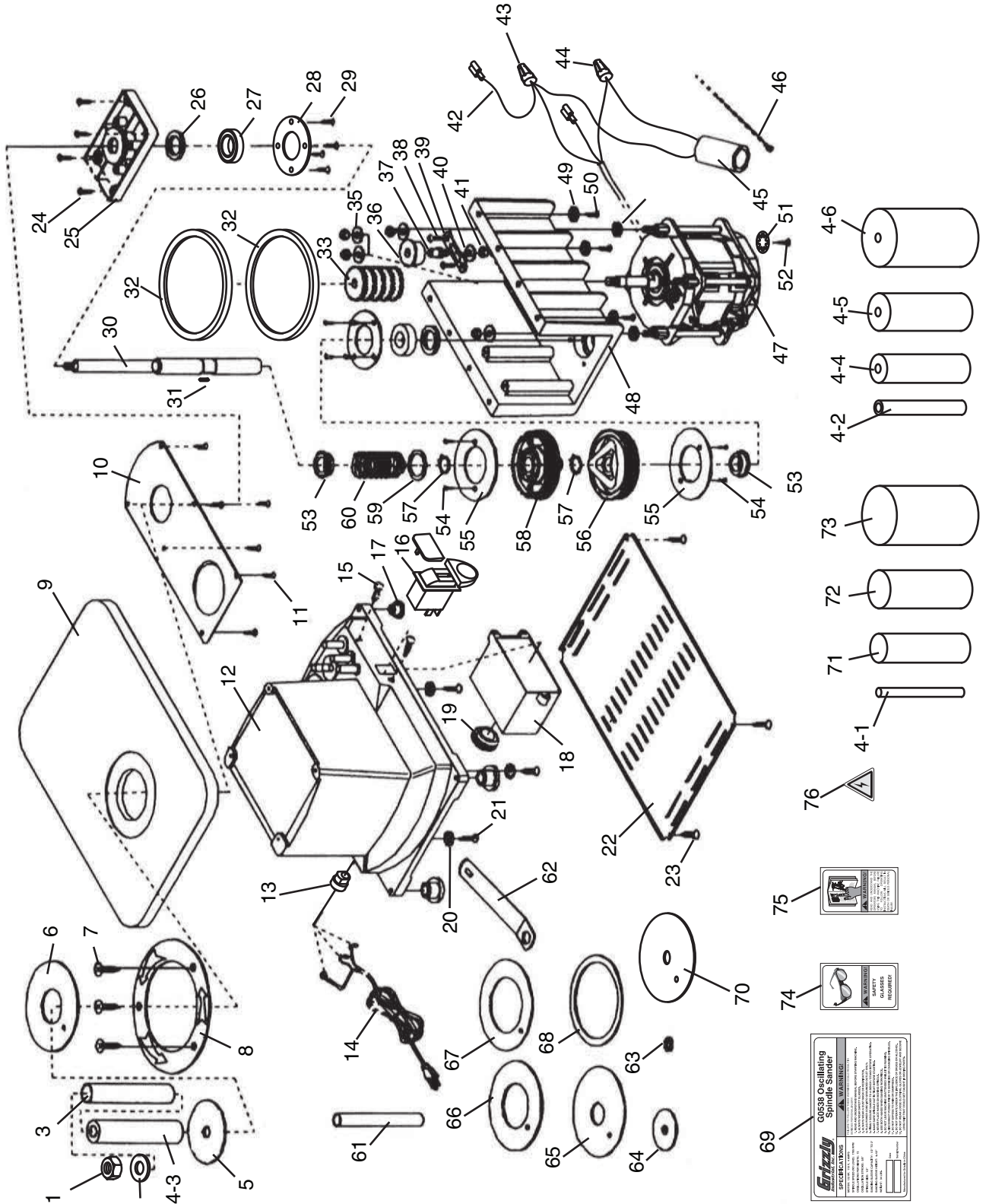


SECTION 9: PARTS

Parts Breakdown



Parts List

REF	PART #	DESCRIPTION
1	P0538001	HEX NUT M8-1.25 THIN - 1/4" THICK
2	P0538002	SPINDLE WASHER 8 X 24 X 2
3	P0538003	SANDING SLEEVE 1" X 4-1/2"
4-1	P0538004-1	SANDING SLEEVE 1/2" X 4-1/2"
4-2	P0538004-2	SANDING DRUM 3/4" X 4-1/2"
4-3	P0538004-3	SANDING DRUM 1" X 4-1/2"
4-4	P0538004-4	SANDING DRUM 1-1/2" X 4-1/2"
4-5	P0538004-5	SANDING DRUM 2" X 4-1/2"
4-6	P0538004-6	SANDING DRUM 3" X 4-1/2"
5	P0538005	SPINDLE WASHER 13 X 72 X 2
6	P0538006	THROAT PLATE 1-5/16" X 4"
7	P0538007	SELF TAP SCR ST3.5 X 12
8	P0538008	ROTATION MARK PLATE
9	P0538009	DISC TABLE
10	P0538010	DUST HOUSING 2 1/2"
11	PHTEK5M	TAP SCREW M4 X 12
12	P0538012	BASE
13	P0538013	STRAIN RELIEF
14	P0538014	POWER CORD W/ 5-15 PLUG
15	PHTEK6M	TAP SCREW M4 X 16
16	PSW06	PADDLE SWITCH 110/220V WITH KEY
17	P0538017	FOOT PAD
18	P0538018	SWITCH HOUSING
19	P0538019	CABLE BUSHING
20	PW03M	FLAT WASHER 6MM
21	PHTEK17M	TAP SCREW M5 X 20
22	P0538022	BASE PLATE
23	PHTEK5M	TAP SCREW M4 X 12
24	PHTEK6M	TAP SCREW M4 X 16
25	P0538025	BEARING HOUSING
26	P0538026	OILLESS FELT
27	P6203-2RS	BALL BEARING 6203 2-RS
28	P0538028	BEARING COVER PLATE
29	PHTEK6M	TAP SCREW M4 X 16
30	P0538030	TRAILING AXLE
31	PK19M	KEY 5 X 5 X 14
32	P0538032	SYNCHRONOUS BELT
33	P0538033	DRIVING PULLEY
34	PN01M	HEX NUT M6-1
35	PW01M	FLAT WASHER 8MM
36	P0538036	BRACING WHEEL SUB-ASSEMBLY

REF	PART #	DESCRIPTION
37	P0538037	BRACING WHEEL AXLE
38	PHTEK20M	TAP SCREW M5 X 14
39	P0538039	BRACING WHEEL BASE
40	PW03M	FLAT WASHER 6MM
41	PN01M	HEX NUT M6-1
42	P0538042	CONNECTING WIRE
43	PWRN01	WIRE NUT
44	PWRN01	WIRE NUT
45	P0538045	CAPACITOR 10MFD 250VAC
46	P0538046	TAPE
47	P0538047	MOTOR
48	P0538048	STAND
49	PW03M	FLAT WASHER 6MM
50	P0538050	TAP SCREW M5.5 X 22
51	P0538051	INT TOOTH WASHER 7/32"
52	PS09M	PHLP HD SCR M5-.8 X 10
53	P0538053	BUSHING
54	PHTEK19M	TAP SCREW M5 X 16
55	P0538055	DAMPER
56	P0538056	DIFFERENTIAL GEAR
57	P0538057	CHECK RING
58	P0538058	DRIVE GEAR
59	P0538059	BUSHING
60	P0538060	COMPRESSION SPRING 2 X 28 X 55
61	P0538061	SANDING SLEEVE 3/4" X 4-1/2"
62	P0538062	SLOTTED WRENCH 13MM
63	P0538063	SPINDLE WASHER 8 X 16 X 2
64	P0538064	SPINDLE WASHER 10 X 46 X 2
65	P0538065	THROAT PLATE 1-1/16" X 4"
66	P0538066	THROAT PLATE 1-13/16" X 4"
67	P0538067	THROAT PLATE 2-5/16" X 4"
68	P0538068	THROAT PLATE 3-5/16" X 4"
69	P0538069	MACHINE ID LABEL
70	P0538070	THROAT PLATE 13/16" X 4"
71	P0538071	SANDING SLEEVE 1-1/2" X 4-1/2"
72	P0538072	SANDING SLEEVE 2" X 4-1/2"
73	P0538073	SANDING SLEEVE 3" X 4-1/2"
74	PLABEL-11	SAFETY GLASSES 2" X 3-5/16"
75	PLABEL-12	READ MANUAL 2" X 3-5/16"
76	PLABEL-14	ELECTRICITY LABEL

WARNING

Safety labels help reduce the risk of serious injury caused by machine hazards. If any label comes off or becomes unreadable, the owner of this machine **MUST** replace it in the original location before resuming operations. For replacements, contact (800) 523-4777 or www.grizzly.com.

