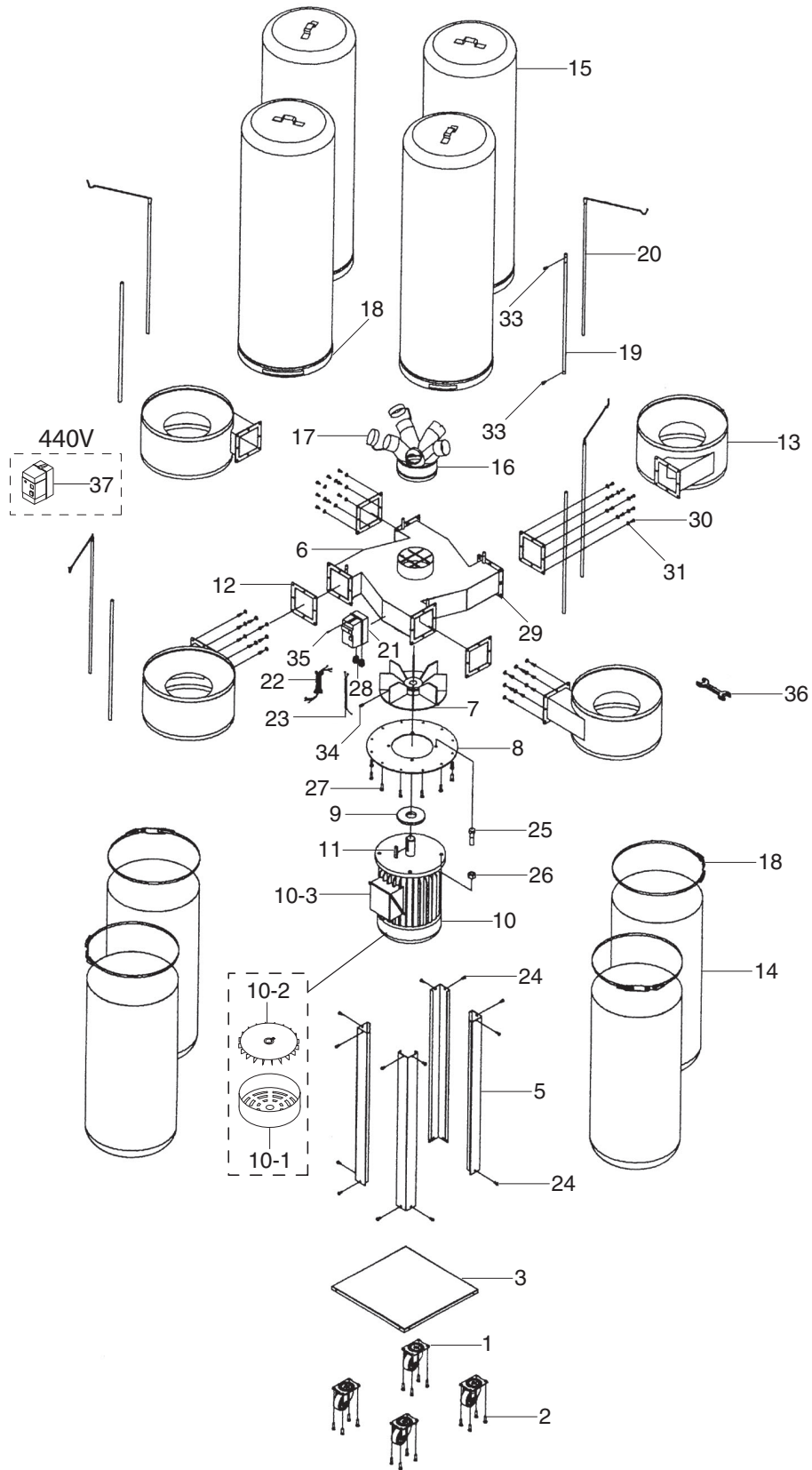


Parts Breakdown



Parts List

REF	PART #	DESCRIPTION
1	P5954001	CASTER
2	PB09	HEX BOLT 5/16-18 X 1/2
3	P0508003	BASE
5	P0508005	SUPPORTING LEG
6	P0508006	MAIN HOUSING
7	P0508007	IMPELLER
8	P0508008	MOTOR PLATE
9	P0508009	SPECIAL WASHER
10	P0508010	MOTOR
10-1	P0508010-1	MOTOR FAN COVER
10-2	P0508010-2	MOTOR FAN
10-3	P0508010-3	MOTOR JUNCTION BOX
11	P0508011	KEY 10 X 8 X 50
12	P0508012	RUBBER GASKET
13	P0508013	COLLECTOR
14	P5954023	LOWER COLLECTION BAG
15	P0508015	UPPER FILTER BAG
16	P0508016	INLET
17	P0508017	INLET COVER

REF	PART #	DESCRIPTION
18	P0508018	BAG CLAMP
19	P0508019	HANGER SUPPORT
20	P0508020	HANGER
21	P0508021	SWITCH 220VAC 3-P
22	P0508022	POWER CORD
23	P0508023	MOTOR CORD
24	PB09	HEX BOLT 5/16-18 X 1/2
25	PB55	HEX BOLT 1/2-13 X 1-1/2
26	PN13	HEX NUT 1/2-13
27	PB07	HEX BOLT 5/16-18 X 3/4
28	P0508028	STRAIN RELIEF
29	PN02	HEX NUT 5/16-18
30	PB03	HEX BOLT 5/16-18 X 1
31	PW07	FLAT WASHER 5/16
33	PB19	HEX BOLT 1/4-20 X 1/2
34	PB24	HEX BOLT 3/8-16 X 1-1/4
35	PS12	PHLP HD SCR 1/4-20 x 5/8
36	PWR1012	COMBO WRENCH 10/12MM
37	P0508037	440V CONVERSION KIT



Label Placement



REF	PART #	DESCRIPTION
38	P05080038	MACHINE ID LABEL
39	PLABEL-14	ELECTRICITY LABEL
40	P05080040	DUST MASK LABEL

REF	PART #	DESCRIPTION
41	PLABEL-12	READ MANUAL
42	P05080042	NO HANDS AT INLET LABEL
43	PLABEL-8	GRIZZLY LOGO

WARNING

Safety labels warn about machine hazards and ways to prevent injury. The owner of this machine **MUST** maintain the original location and readability of the labels on the machine. If any label is removed or becomes unreadable, **REPLACE** that label before using the machine again. Contact Grizzly at (800) 523-4777 or www.grizzly.com to order new labels.

