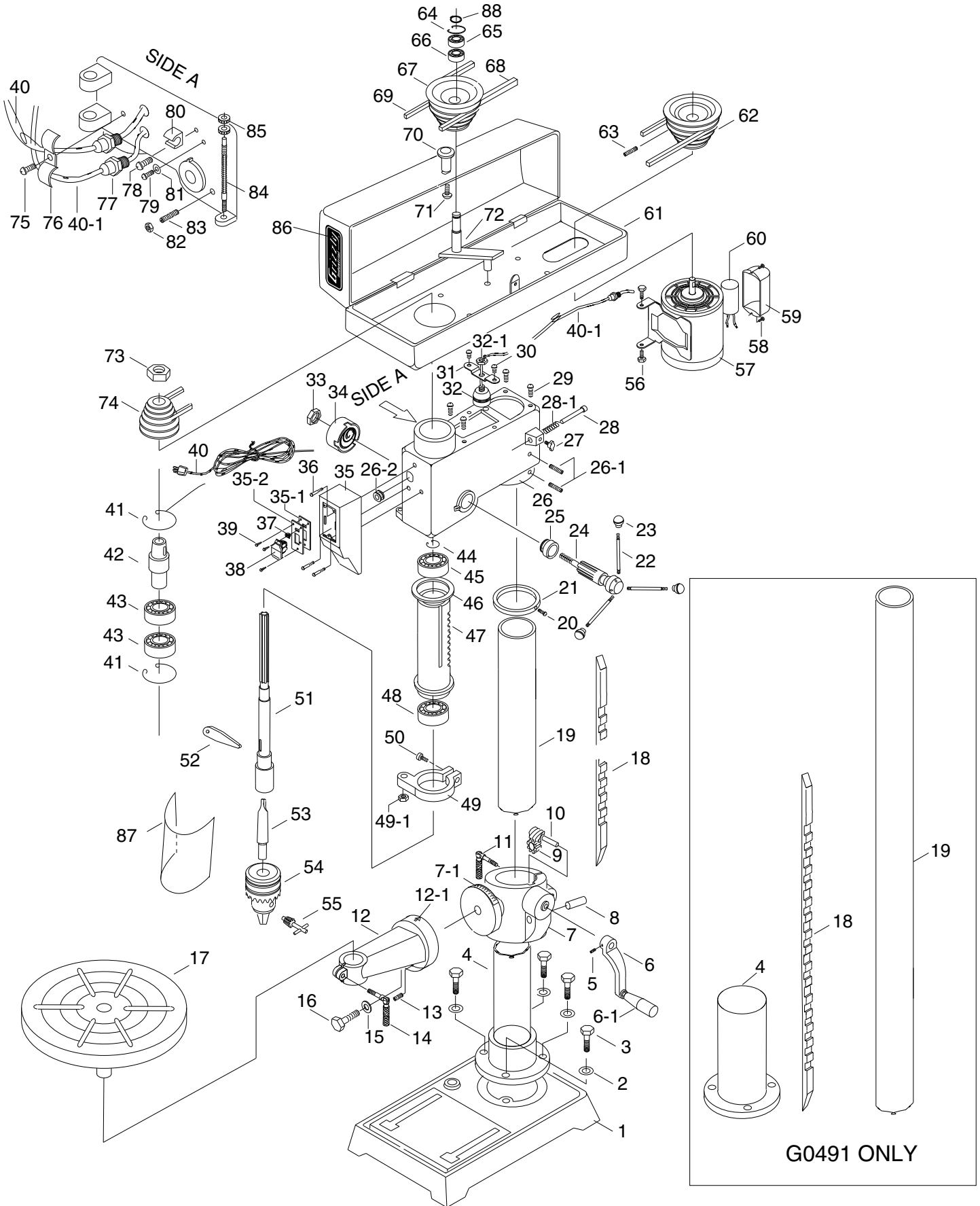


G0485/G0491 Parts Breakdown



G0485/G0491 Parts List

REF	PART #	DESCRIPTION
1	P0485001	BASE
2	PLW04M	LOCK WASHER 8MM
3	PB07M	HEX BOLT M8-1.25 X 25
4	P0485004	BASE FLANGE (G0485)
4	P0491004	BASE FLANGE-LONG (G0491)
5	PSS01M	SET SCREW M6-1 X 10
6	P0485006	CRANK HANDLE
6-1	P0485006-1	HANDLE
7	P0485007	TABLE BRACKET
7-1	P0485007-1	SCALE
8	P0485008	GEAR SHAFT
9	P0485009	GEAR
10	P0485010	PINION GEAR
11	P0485011	LOCK LEVER M12-1.75 X 40
12	P0485012	TABLE SUPPORT ASSEMBLY
12-1	P0485012-1	ZERO MARK
13	PSS01M	SET SCREW M6-1 X 10
14	P0485014	LOCK LEVER M10-1.5 X 25
15	PLW10M	LOCK WASHER 16MM
16	PB154M	HEX BOLT M16-2 X 30
17	P0485017	TABLE
18	P0485018	RACK (G0485)
18	P0491018	LONG RACK (G0491)
19	P0485019	COLUMN (G0485)
19	P0491019	LONG COLUMN (G0491)
20	PS68M	PHLP HD SCR M6-1 X 10
21	P0485021	COLUMN RING
22	P0485022	FEED HANDLE M10-1.5 X 155
23	P0485023	HANDLE KNOB M10-1.5
24	P0485024	PINION SHAFT
25	P0485025	SCALE SLEEVE
26	P0485026	HEAD
26-1	PSS14M	SET SCREW M8-1.25 X 12
26-2	P0485026-2	RUBBER BUSHING
27	P0485027	KNOB BOLT M8-1.25 X 15
28	P0485028	BELT TENSION ADJ. ROD
28-1	P0485028-1	COMPRESSION SPRING
29	PFS11M	FLANGE SCREW M6-1 X 10
30	PS09M	PHLP HD SCR M5-.8 X 10
31	P0485031	LAMP FRAME
32	P0485032	LAMP HOLDER
32-1	P0485032-1	KNURLED NUT M8-1.25

REF	PART #	DESCRIPTION
33	PLN09M	LOCK NUT M12-1.25
34	P0485034	TORSION SPRING AND CAP
35	P0485035	SWITCH BOX
35-1	P0485035-1	WASHER PAD
35-2	P0485035-2	SWITCH MOUNTING PLATE
36	PS09M	PHLP HD SCR M5-.8 X 10
37	P0485037	LAMP SWITCH
38	P0485038	POWER SWITCH
39	PHTEK31M	TAP SCREW M4 X 14
40	P0485040	POWER CORD
40-1	P0485040-1	MOTOR CORD
41	PR23M	INT RETAINING RING 40MM
42	P0485042	DRIVER SLEEVE
43	P6203	BALL BEARING 6203ZZ
44	PR03M	EXT RETAINING RING 12MM
45	P6201	BALL BEARING 6201ZZ
46	P0485046	RUBBER GASKET
47	P0485047	QUILL
48	P6204	BALL BEARING 6204ZZ
49	P0485049	DEPTH GAUGE HOLDER
49-1	PN03M	HEX NUT M8-1.25
50	PSB02M	CAP SCREW M6-1 X 20
51	P0485051	SPINDLE MT2
52	P0485052	DRIFT KEY
53	P0485053	ARBOR MT2 X JT3
54	P0485054	CHUCK 16MM JT3
55	P0485055	KEY 16MMJT3
56	PFB12M	FLANGE BOLT M8-1.25 X 18
57	P0485057	MOTOR
58	PFS01M	FLANGE SCREW M5-.8 X 8
59	P0485059	CAPACITOR COVER
60	PC150A	CAPACITOR 150MFD, 250VAC
61	P0485061	PULLEY GUARD
62	P0485062	MOTOR PULLEY
63	PSS01M	SET SCREW M6-1 X 10
64	PR21M	INT RETAINING RING 35MM
65	P6202	BALL BEARING 6202ZZ
66	P6202	BALL BEARING 6202ZZ
67	P0485067	MIDDLE PULLEY
68	PVM22	V-BELT M-22 3L220
69	PVM22	V-BELT M-22 3L220
70	P0485070	BELT COVER KNOB M6-1



REF	PART #	DESCRIPTION
71	PFS11M	FLANGE SCREW M6-1 X 10
72	P0485072	MIDDLE PULLEY FRAME
73	P0485073	PULLEY NUT 1/2-20
74	P0485074	SPINDLE PULLEY
75	PS09M	PHLP HD SCR M5-.8 X 10
76	P0485076	WIRE STRAP
77	P0485077	STRAIN RELIEF
78	PS09M	PHLP HD SCR M5-.8 X 10
79	PS56M	PHLP HD SCR M4-.7 X 16

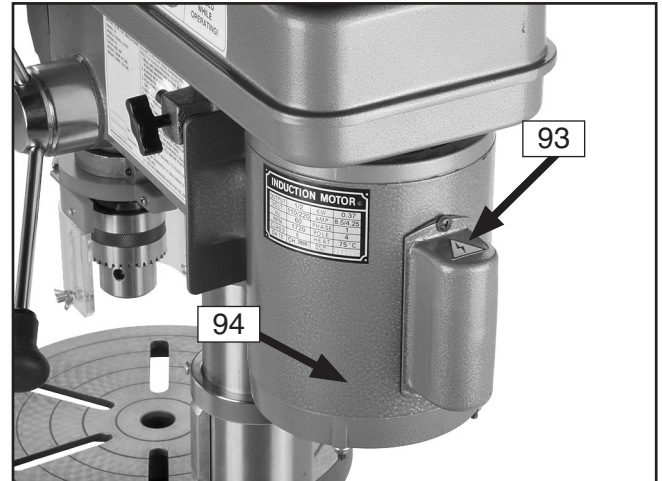
REF	PART #	DESCRIPTION
80	P0485080	KEY HOLDER
81	PW05M	FLAT WASHER 4MM
82	PN03M	HEX NUT M8-1.25
83	PSS87M	SET SCREW M8-1.25 X 28
84	P0485084	DEPTH STOP ROD
85	P0485085	KNURLED NUT M12-1.75
86	P0485086	GRIZZLY INDUSTRIAL NAMEPLATE
87	P0485087	CHUCK GUARD
88	PR05M	EXT RETAINING RING 15MM



Safety Label Placement and Parts List

WARNING

The safety labels on this machine warn and indicate how to protect the operator or bystander from machine hazards. The machine owner **MUST** maintain the original label location and readability. If a label is removed or becomes unreadable, **REPLACE** the label before using the machine. For new labels, contact Grizzly Industrial Inc. at (570) 546-9663 or techsupport@grizzly.com.



REF	PART #	DESCRIPTION
90	P0485090	MACHINE ID LABEL (G0485)
90	P0491090	MACHINE ID LABEL (G0491)
91	P0485091	LABEL (SAFETY GLASSES)
92	P0485092	LABEL (DOOR CLOSED-HORIZ)
93	PLABEL-14	LABEL (ELECTRICITY)
94	P0485094	TOUCH-UP PAINT (GRIZZLY GREEN)

