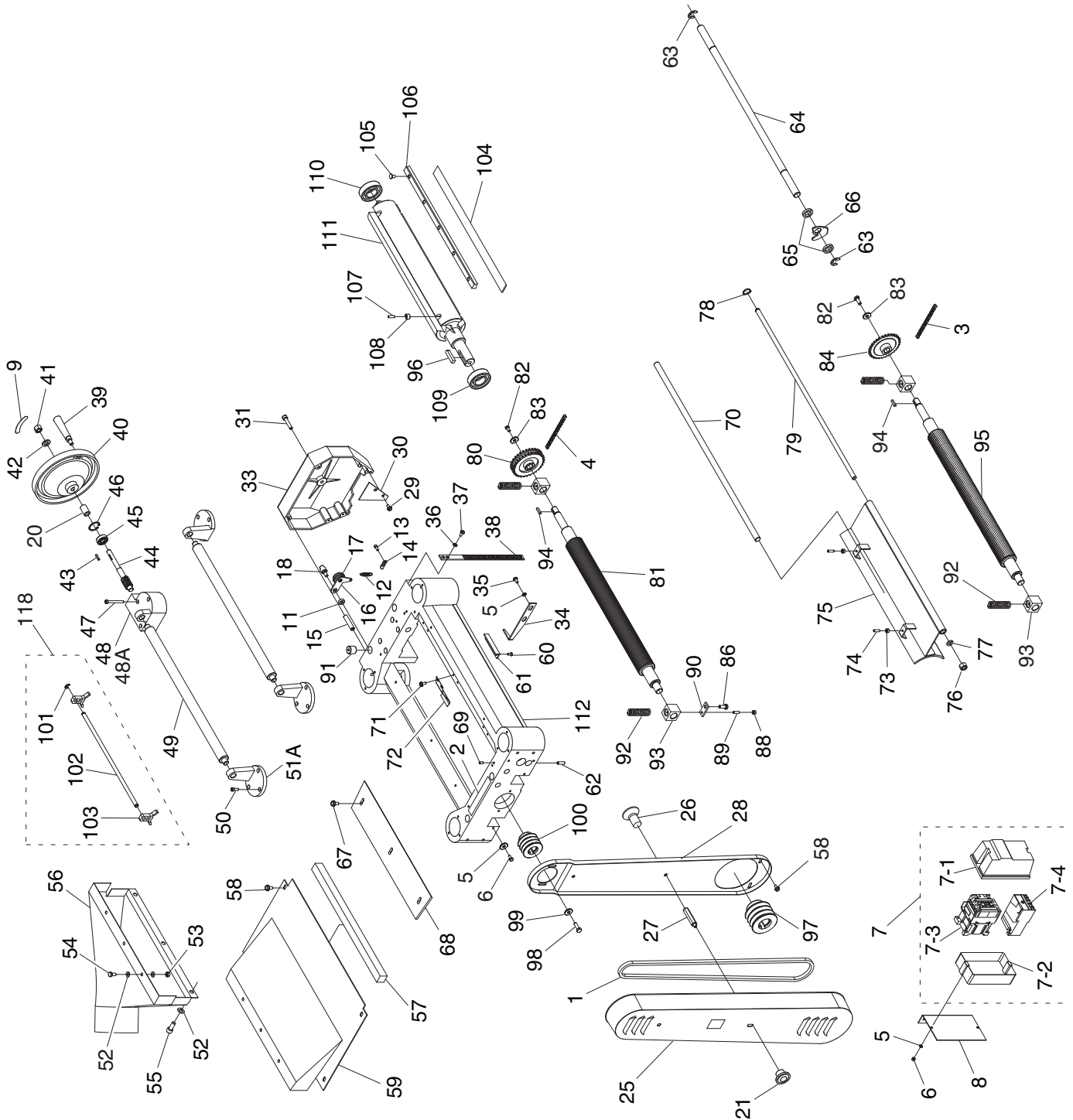


SECTION 9: PARTS

G0453 Headstock Breakdown



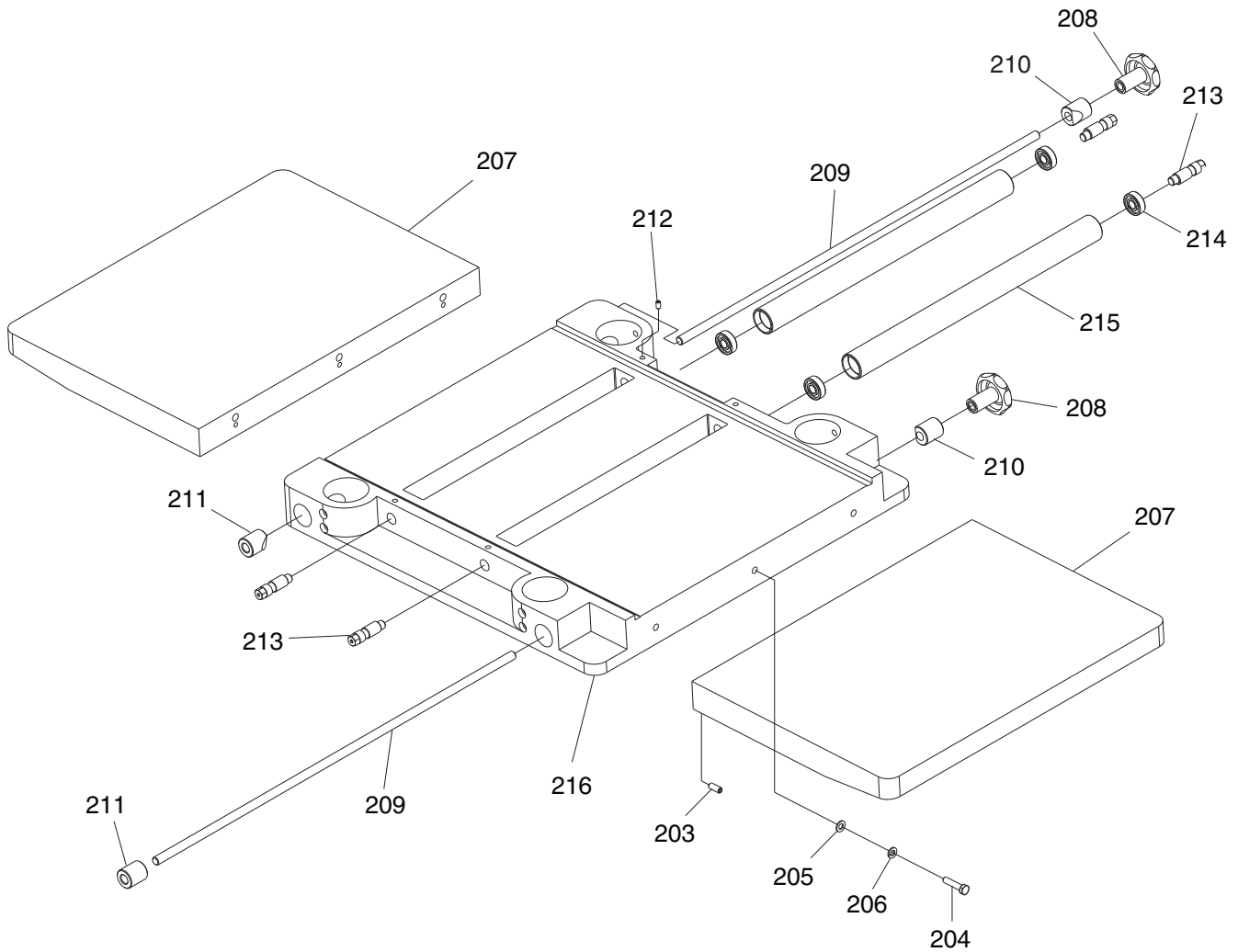
G0453 Headstock Parts List

REF	PART #	DESCRIPTION
1	P0453001	COGGED V-BELT MX-60
2	P0453002	OIL FILL LABEL
3	P0453003	CHAIN 06B-1 X 49 31LINKS
4	P0453004	CHAIN 06B-1 X 63 24LINKS
5	P0453005	FLAT WASHER 6MM
6	P0453006	CAP SCREW M6-1 X 12
7V2	P0453007V2	MAGNETIC SWITCH ASSEMBLY V2.01.11
7-1	P0453007-1	MAGNETIC SWITCH COVER ASSEMBLY
7-3	P0453007-3	CONTACTOR NHD C-09D 230V
7-4	P0453007-4	OL RELAY NHD NTH-21 17-21A
8	P0453008	MAGNETIC SWITCH PLATE
9	P0453009	HANDWHEEL LABEL
11	P0453011	IDLER BRACKET COLLAR
12	P0453012	EXTENSION SPRING
13	P0453013	CAP SCREW M6-1 X 8
14	P0453014	HANGER
15	P0453015	SHAFT
16	P0453016	BRACKET
17	P0453017	IDLER PULLEY
18	P0453018	IDLER MOUNTING SHAFT
20	P0453020	HANDWHEEL COLLAR
21	P0453021	STAR KNOB M8-1.25
25	P0453025	BELT COVER
26	P0453026	FLAT HD CAP SCR M6-1 X 16
27	P0453027	HEX STANDOFF
28	P0453028	BELT GUARD
29	P0453029	FLANGE BOLT M6-1 X 10
30	P0453030	SAFETY HATCH
31	P0453031	CAP SCREW M8-1.25 X 45
33	P0453033	CHAIN DRIVE COVER
34	P0453034	POINTER
35	P0453035	PHLP HD SCR M6-1 X 12
36	P0453036	FLAT WASHER 6MM
37	P0453037	PHLP HD SCR M6-1 X 12
38	P0453038	HANDWHEEL SCALE
39	P0453039	HANDWHEEL HANDLE
40	P0453040	HANDWHEEL
41	P0453041	HEX NUT M12-1.75
42	P0453042	FLAT WASHER 12MM
43	P0453043	KEY 4 X 4 X 20
44	P0453044	WORM GEAR
45	P0453045	BALL BEARING 6201ZZ
46	P0453046	INT RETAINING RING 32MM
47	P0453047	CAP SCREW M5-.8 X 55
48	P0453048	WORM HOUSING
48A	P0453048A	WORM HOUSING ASSEMBLY
49	P0453049	RETURN ROLLER
50	P0453050	CAP SCREW M5-.8 X 14
51A	P0453051A	ROLLER STAND 3.505" V2.01.08
52	P0453052	FLAT WASHER 6MM
53	P0453053	HEX NUT M6-1
54	P0453054	HEX BOLT M6-1 X 10
55	P0453055	CAP SCREW M8-1.25 X 20
56	P0453056	DUST HOOD
57	P0453057	FOAM PIECE

REF	PART #	DESCRIPTION
58	P0453058	FLANGE BOLT M6-1 X 10
59	P0453059	TOP COVER
60	P0453060	FLAT HD SCR M6-1 X 8
61	P0453061	CUT LIMIT PLATE
62	P0453062	SET SCREW M8-1.25 X 16
63	P0453063	E-CLIP 15MM
64	P0453064	ANTI-KICKBACK FINGER SHAFT
65	P0453065	ANTI-KICKBACK SHAFT COLLAR
66	P0453066	ANTI-KICKBACK FINGER
67	P0453067	FLANGE BOLT M6-1 X 12
68	P0453068	CHIP DEFLECTOR
69	P0453069	SET SCREW M6-1 X 20
70	P0453070	CHIP BREAKER SHAFT
71	P0453071	FLANGE BOLT M6-1 X 12
72	P0453072	HOLD DOWN PLATE
73	P0453073	HEX NUT M6-1
74	P0453074	SET SCREW M6-1 X 18
75	P0453075	CHIP BREAKER
76	P0453076	HEX NUT M12-1.75
77	P0453077	LOCK WASHER 12MM
78	P0453078	EXT RETAINING RING 12MM
79	P0453079	LOCKING ROD
80	P0453080	OUTFEED ROLLER SPROCKET
81	P0453081	OUTFEED ROLLER
82	P0453082	HEX BOLT M6-1 X 16
83	P0453083	FLAT WASHER 6MM
84	P0453084	INFEED ROLLER SPROCKET
86	P0453086	HEX BOLT M8-1.25 X 16
88	P0453088	HEX NUT M5-.8
89	P0453089	SET SCREW M5-.8 X 12
90	P0453090	PLATE
91	P0453091	OILER SET SCREW
92	P0453092	COMPRESSION SPRING
93	P0453093	ROLLER BUSHING BLOCK
94	P0453094	KEY 5 X 5 X 16
95	P0453095	INFEED ROLLER
96	P0453096	KEY 8 X 8 X 35
97	P0453097	MOTOR PULLEY MX
98	P0453098	HEX BOLT M8-1.25 X 20
99	P0453099	COLLAR
100	P0453100	CUTTERHEAD PULLEY MX
101	P0453101	E-CLIP 8MM
102	P0453102	KNIFE JIG SHAFT
103	P0453103	KNIFE JIG FOOT
104	P0453104	KNIVES 3-PC SET 15" X 1" X 1/8"
105	P0453105	GIB SCREW
106	P0453106	GIB
107	P0453107	JACK SCREW M5-.8 X 12
108	P0453108	ADJUSTING NUT
109	P0453109	BALL BEARING 6205ZZ
110	P0453110	BALL BEARING 6204ZZ
111	P0453111	KNIFE CUTTERHEAD 15"
112	P0453112	HEAD CASTING
118	P0453118	KNIFE SETTING JIG ASSEMBLY
119V2	P0453119V2	POWER CORD 12G 3W 72" 6-20P V2.08.12



G0453 Table Breakdown

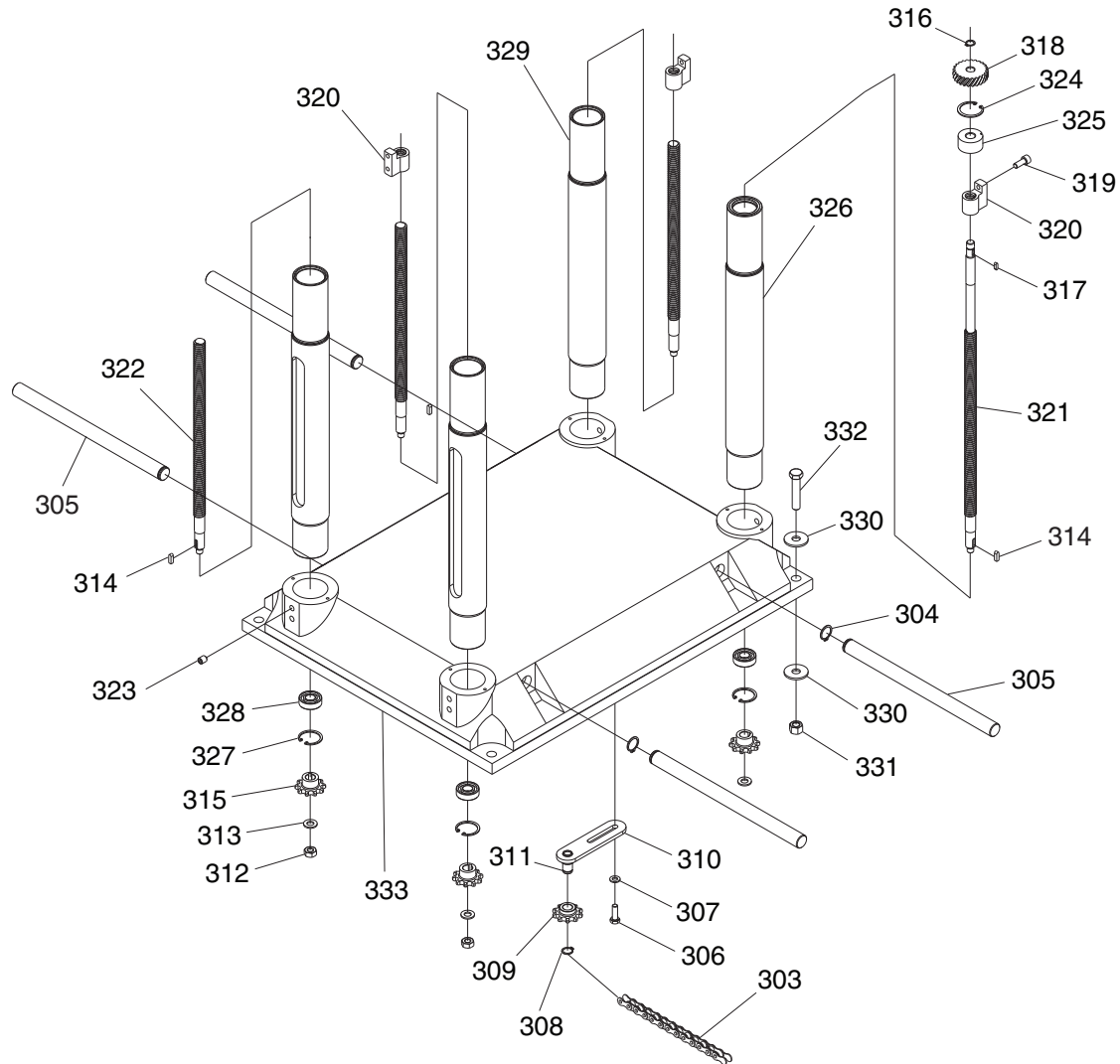


REF	PART #	DESCRIPTION
203	P0453203	SET SCREW M8-1.25 X 20
204	P0453204	HEX BOLT M8-1.25 X 30
205	P0453205	FLAT WASHER 8MM
206	P0453206	LOCK WASHER 8MM
207	P0453207	TABLE EXTENSION WING
208	P0453208	STAR KNOB M12-1.75
209	P0453209	LOCK BOLT

REF	PART #	DESCRIPTION
210	P0453210	GIB
211	P0453211	WEDGE DOG
212	P0453212	SET SCREW M6-1 X 16
213	P0453213	ECCENTRIC SHAFT
214	P0453214	BALL BEARING 608ZZ
215	P0453215	BED ROLLER
216	P0453216	MAIN TABLE



G0453 Columns Breakdown



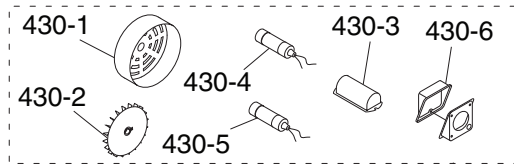
REF	PART #	DESCRIPTION
303	P0453303	CHAIN 12.7A X 134
304	P0453304	EXT RETAINING RING 15MM
305	P0453305	LIFTING BAR
306	P0453306	HEX BOLT M8-1.25 X 20
307	P0453307	FLAT WASHER 8MM
308	P0453308	EXT RETAINING RING 15MM
309	P0453309	SPROCKET
310A	P0453310A	SPROCKET BRACKET ASSEMBLY
312	P0453312	HEX NUT M10-1.5
313	P0453313	FLAT WASHER 10MM
314	P0453314	KEY 5 X 5 X 16
315	P0453315	SPROCKET
316	P0453316	EXT RETAINING RING 12MM
317	P0453317	KEY 4 X 4 X 12
318	P0453318	GEAR

REF	PART #	DESCRIPTION
319	P0453319	CAP SCREW M6-1 X 20
320	P0453320	LEADSCREW NUT
321	P0453321	PRIMARY LEADSCREW
322	P0453322	SECONDARY LEADSCREW
323	P0453323	SET SCREW M10-1.5 X 12
324	P0453324	INT RETAINING RING 40MM
325	P0453325	BUSHING
326	P0453326	PRIMARY COLUMN
327	P0453327	INT RETAINING RING 42MM
328	P0453328	BALL BEARING 6302ZZ
329	P0453329	SECONDARY COLUMN
330	P0453330	FLAT WASHER 12MM
331	P0453331	HEX NUT M12-1.75
332	P0453332	HEX BOLT M12-1.75 X 45
333	P0453333	BASE

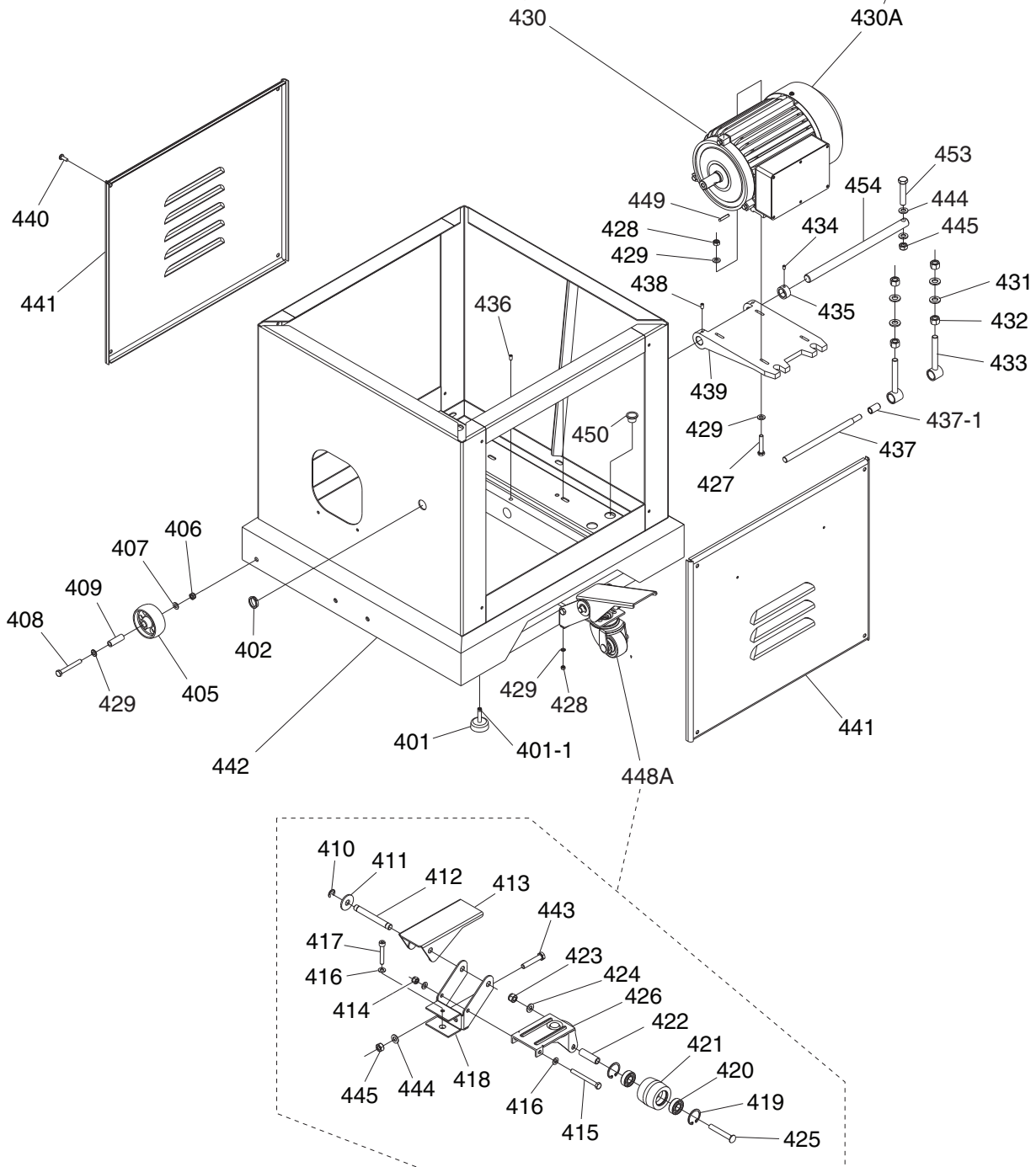
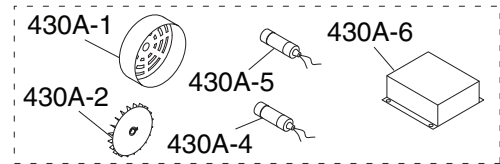


G0453 Cabinet Stand Breakdown

For Machine Manufacture Date
Prior to 03/08



For Machine Manufacture Date
of 03/08 or After



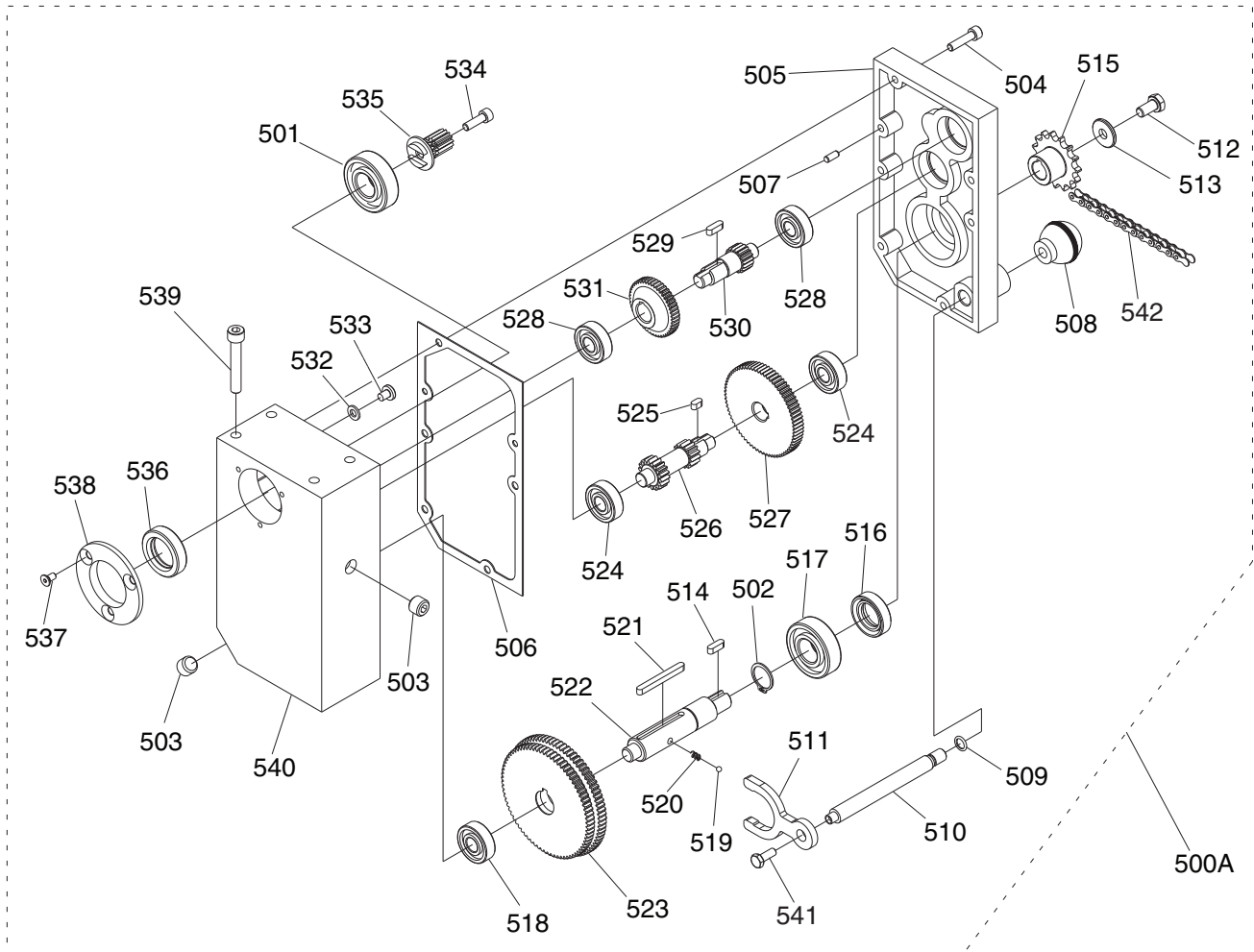
G0453 Cabinet Stand Parts List

REF	PART #	DESCRIPTION
401	P0453401	RUBBER FOOT
401-1	P0453401-1	HEX NUT M8-1.25
402	P0453402	PLASTIC GROMMET
405	P0453405	UNIVERSAL WHEEL 78MM DIA
406	P0453406	HEX NUT M8-1.25
407	P0453407	FLAT WASHER 8MM
408	P0453408	HEX BOLT M8-1.25 X 65
409	P0453409	SLEEVE
410	P0453410	EXT RETAINING RING 9MM
411	P0453411	FLAT WASHER 12MM
412	P0453412	SHAFT 12MM
413	P0453413	PEDAL
414	P0453414	HEX NUT M8-1.25
415	P0453415	HEX BOLT M8-1.25 X 100
416	P0453416	FLAT WASHER 8MM
417	P0453417	HEX BOLT M8-1.25 X 50
418	P0453418	BRACKET
419	P0453419	INT RETAINING RING 35MM
420	P0453420	BALL BEARING 6202-2RS
421	P0453421	TROLLEY WHEEL
422	P0453422	TROLLEY WHEEL SLEEVE
423	P0453423	LOCK NUT M12-1.75
424	P0453424	FLAT WASHER 10MM
425	P0453425	TROLLEY WHEEL BOLT
426	P0453426	TROLLEY UNIVERSAL KIT
427	P0453427	HEX BOLT M8-1.25 X 45
428	P0453428	HEX NUT M8-1.25
429	P0453429	FLAT WASHER 8MM
430A	P0453430A	MOTOR 3HP 240V 1-PH V2.03.08
430A-1	P0453430A-1	MOTOR FAN COVER V2.03.08

REF	PART #	DESCRIPTION
430A-2	P0453430A-2	MOTOR FAN V2.03.08
430A-4	P0453430A-4	R CAPACITOR 20M 400V V2.03.08
430A-5	P0453430A-5	S CAPACITOR 200M 250V V2.03.08
430A-6	P0453430A-6	JUNCTION BOX V2.03.08
430A-7	P0453430A-7	BALL BEARING 6205ZZ
430A-8	P0453430A-8	BALL BEARING 6203ZZ
430A-9	P0453430A-9	CENTRIFUGAL SWITCH 16MM 3450
430A-10	P0453430A-10	CONTACT PLATE 16MM
431	P0453431	FLAT WASHER 12MM
432	P0453432	HEX NUT M12-1.75
433	P0453433	ADJUST BOLT
434	P0453434	SET SCREW M6-1 X 8
435	P0453435	LOCK COLLAR
436	P0453436	SET SCREW M8-1.25 X 12
437	P0453437	PLATE CONNECTING ROD
437-1	P0453437-1	BUSHING
438	P0453438	SET SCREW M6-1 X 12
439	P0453439	MOTOR MOUNT PLATE
440	P0453440	PHLP HD SCR M6-1 X 20
441	P0453441	CABINET COVER
442	P0453442	CABINET STAND
443	P0453443	HEX BOLT M12-1.75 X 120
444	P0453444	FLAT WASHER 10MM
445	P0453445	HEX NUT M10-1.5
448A	P0453448A	PEDAL ASSEMBLY
449	P0453449	KEY 5 X 5 X 30
450	P0453450	BALL STRAIN RELIEF
453	P0453453	HEX BOLT M10-1.5 X 70
454	P0453454	PLATE CONNECTING ROD



G0453 Gearbox Breakdown



REF	PART #	DESCRIPTION
500A	P0453500A	GEARBOX ASSEMBLY
501	P0453501	BALL BEARING 6204ZZ
502	P0453502	EXT RETAINING RING 20MM
503	P0453503	OIL PLUG
504	P0453504	CAP SCREW M6-1 X 25
505	P0453505	GEARBOX BASE
506	P0453506	GASKET
507	P0453507	PIN 5 X 10
508	P0453508	BALL KNOB M10-1.5
509	P0453509	O-RING 10.8 X 2.4 P11
510	P0453510	HANDLE SHAFT
511	P0453511	SHIFTING FORK
512	P0453512	HEX BOLT M8-1.25 X 16
513	P0453513	FLAT WASHER 8MM
514	P0453514	KEY 5 X 5 X 16
515	P0453515	SPROCKET
516	P0453516	OIL SEAL 20 X 35 X 7
517	P0453517	BALL BEARING 6204ZZ
518	P0453518	BALL BEARING 6201ZZ
519	P0453519	STEEL BALL 4MM
520	P0453520	COMPRESSION SPRING
521	P0453521	KEY 5 X 5 X 50

REF	PART #	DESCRIPTION
522	P0453522	SHAFT
523	P0453523	GEAR
524	P0453524	BALL BEARING 6201ZZ
525	P0453525	KEY 5 X 5 X 10
526	P0453526	GEAR SHAFT
527	P0453527	GEAR
528	P0453528	BALL BEARING 6201ZZ
529	P0453529	KEY 5 X 5 X 14
530	P0453530	GEAR SHAFT
531	P0453531	GEAR
532	P0453532	FLAT WASHER 6MM
533	P0453533	PHLP HD SCR M6-1 X 8
534	P0453534	CAP SCREW M6-1.0 X 20 LH
535	P0453535	GEAR 14T
536	P0453536	OIL SEAL 25 X 40 X 10
537	P0453537	CAP SCREW M5-.8 X 12
538	P0453538	FLANGE COVER
539	P0453539	CAP SCREW M8-1.25 X 50
540	P0453540	GEARBOX COVER
541	P0453541	FLANGE BOLT M6-1 X 12
542	P0453542	CHAIN 06B-1 X 49



G0453 Label Placement



REF	PART #	DESCRIPTION
10	P0453010	SPEED CHANGE LABEL
19	P0453019	BELT COVER LABEL
113	P0453113	RESPIRATOR/GLASSES LABEL VL
114	P0453114	READ MANUAL LABEL VL
115	P0453115	EAR PROTECTION LABEL VL
116	P0453116	ELECTRICITY LABEL

REF	PART #	DESCRIPTION
117V2	P0453117V2	MACHINE ID LABEL CSA V2.08.12
334	P0453334	GRIZZLY.COM LABEL 10 X 1-1/2"
446	P0453446	GRIZZLY NAMEPLATE
447	P0453447	MODEL NUMBER LABEL
451	P0453451	GRIZZLY GREEN TOUCH UP PAINT
452	P0453452	GRIZZLY PUTTY TOUCH UP PAINT

WARNING

Safety labels warn about machine hazards and ways to prevent injury. The owner of this machine **MUST** maintain the original location and readability of the labels on the machine. If any label is removed or becomes unreadable, **REPLACE** that label before using the machine again. Contact Grizzly at (800) 523-4777 or www.grizzly.com to order new labels.

