



# Strain Relief Kit Instruction Sheet

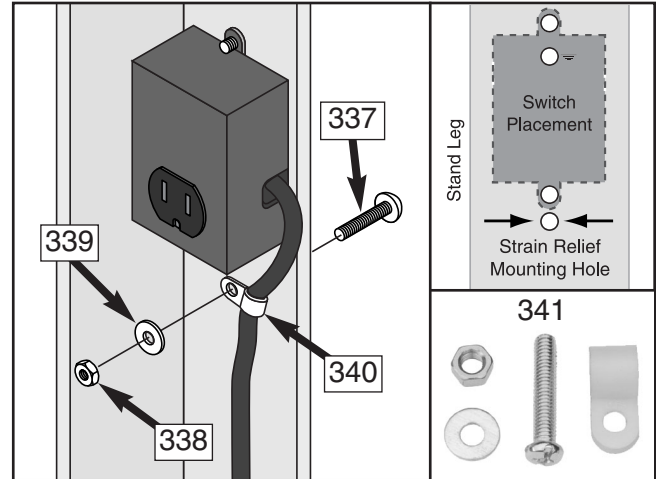
P0528341 (For Model G0528)

This strain relief kit protects the wire connections if the power cord gets yanked or pulled.

**WARNING—To avoid shock or electrocution, disconnect power before installing this kit!**

Install the strain relief kit on your router table as shown in the illustration, making sure to leave a little slack between the switch box and the strain relief.

REF	GRIZZLY PART #	DESCRIPTION
337	PS08	PHLP HD SCR 10-24 X 3/4"
338	PN07	HEX NUT 10-24
339	PW03	FLAT WASHER #10
340	P0528340	STRAIN RELIEF
341	P0528341	STRAIN RELIEF KIT



If you need additional help with this procedure, call our service department at: (570) 546-9663.



# Strain Relief Kit Instruction Sheet

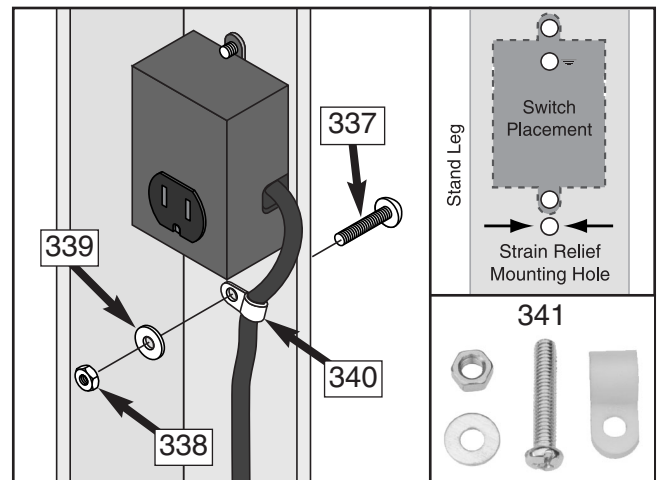
P0528341 (For Model G0528)

This strain relief kit protects the wire connections if the power cord gets yanked or pulled.

**WARNING—To avoid shock or electrocution, disconnect power before installing this kit!**

Install the strain relief kit on your router table as shown in the illustration, making sure to leave a little slack between the switch box and the strain relief.

REF	GRIZZLY PART #	DESCRIPTION
337	PS08	PHLP HD SCR 10-24 X 3/4"
338	PN07	HEX NUT 10-24
339	PW03	FLAT WASHER #10
340	P0528340	STRAIN RELIEF
341	P0528341	STRAIN RELIEF KIT



If you need additional help with this procedure, call our service department at: (570) 546-9663.