



MODEL H7774 STAINLESS STEEL TABLE INSTRUCTION SHEET

⚠️ WARNING

You **MUST** clean and sanitize food contact surfaces before using this product. Failure to follow this warning may lead to illness!

Assembly

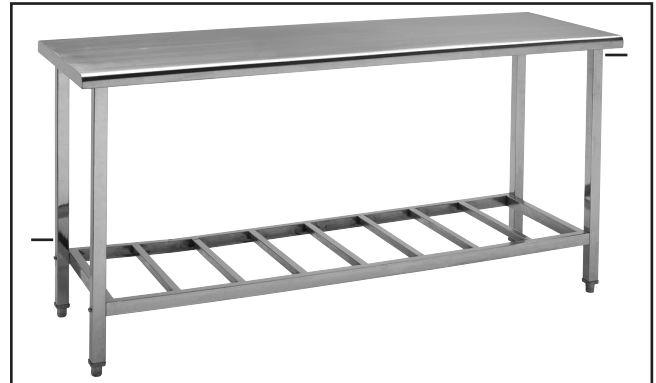
Use the 16 hex bolts w/washers to attach the legs to the table top. Use the 4 cap screws w/washers to attach the shelf to the legs. Insert feet into legs and rotate the feet to level the table. Refer to the parts breakdown if you need further help.

Cleaning

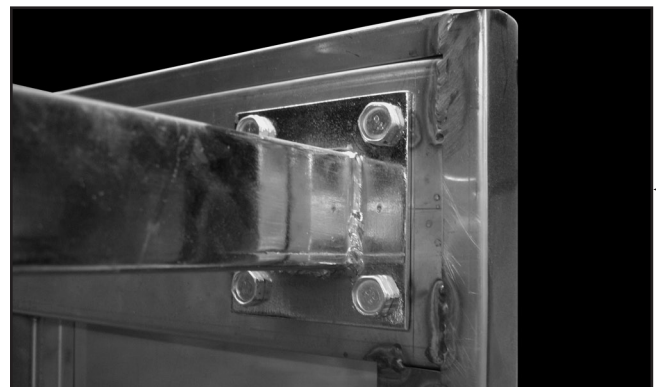
Use a mild detergent or a vinegar-water solution to clean and sanitize your table. Always wipe the table dry with a soft cloth after cleaning.

Care

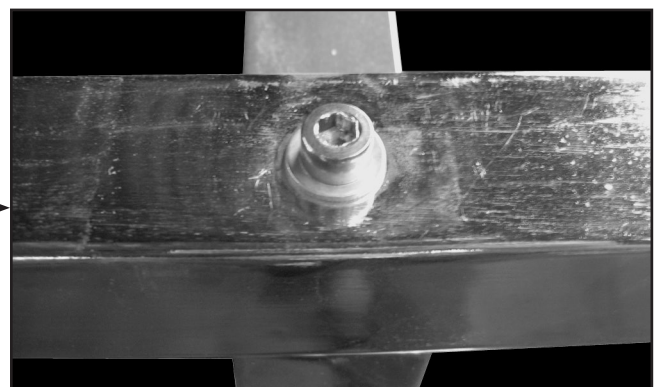
- Clean your table frequently to keep it sanitary and looking nice.
- Avoid cleaners that contain chlorine.
- Avoid using steel wool when scrubbing—small fragments can break off and rust in the table surface.
- Avoid direct contact with foods containing a lot of citrus, salt, or acid. These may leave a white stain that will require cleaning with a ScotchBrite pad to renew the surface.
- Always scrub in the same direction as the stainless steel polish lines in the surface.
- Avoid cutting directly on the table surface as this will rapidly dull your knives and leave small scratches in the table surface.



Model H7774.

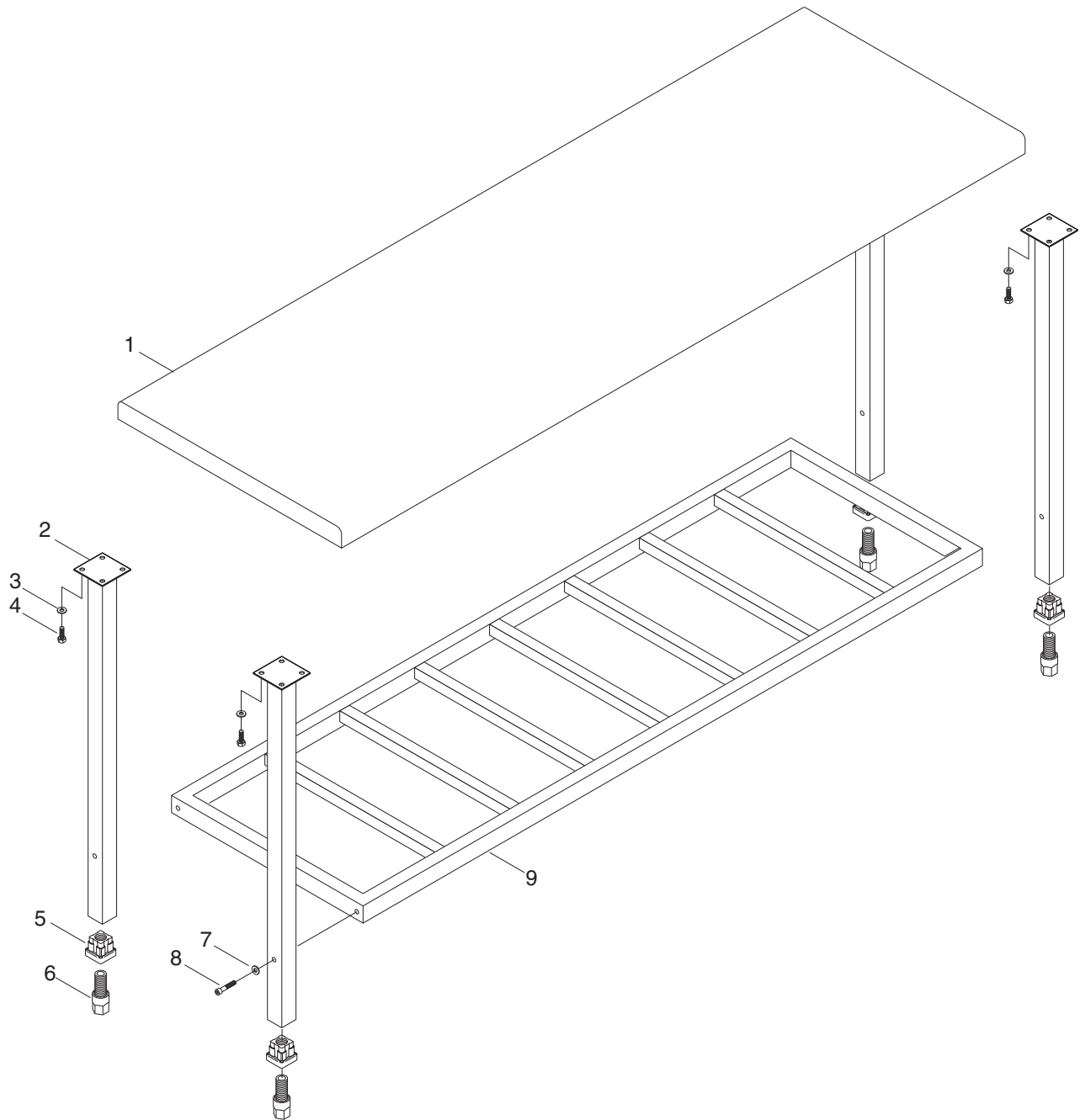


Legs attached to table top.



Shelf attached to legs.

H7774 Parts Breakdown and List



REF	PART #	DESCRIPTION
1	PH7774001	TABLE TOP
2	PH7774002	LEG
3	PW01M	FLAT WASHER 8MM
4	PB84M	HEX BOLT M8-1.25 X 14
5	PH7774005	FOOT HOUSING
6	PH7774006	FOOT
7	PW01M	FLAT WASHER 8MM
8	PSB31M	CAP SCREW M8-1.25 X 25
9	PH7774009	SHELF