

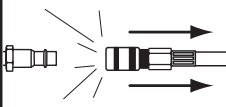


MODEL H6137 3/8" AIR RATCHET INSTRUCTION SHEET

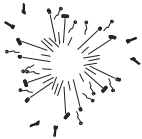
⚠ WARNING



EYE INJURY HAZARD!
Always wear safety glasses during use to prevent serious personal injury!



INJURY HAZARD!
Always disconnect tool from air to prevent unexpected operation during service!



EXPLOSION HAZARD!
Never exceed 120 PSI!



Figure 1. Model H6137.

Introduction

Eliminate strained muscles and busted knuckles. 3/8" drive accepts all 3/8" standard and metric sockets. The 10 1/4" long handle provides plenty of leverage and 50 ft/lbs. of torque will remove the toughest nuts. Sockets not included. Features no-load speed: 160 RPM, average air consumption: 4 CFM, air inlet: 1/4" NPT, paddle switch control, forward and reverse.

Inventory

- A. Air Ratchet..... 1
- B. 1/4" NPT Quick Connect Fitting (male)..... 1

Operation

Tool requires 90 PSI to operate correctly.

To improve tool lifespan, use a filter/lubricator/regulator as shown in **Figure 2**. Otherwise, lubricate daily with a couple drops of pneumatic tool oil directly into the air fitting as shown in **Figure 3**.

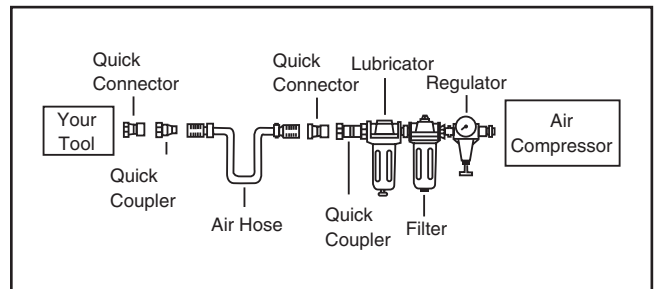


Figure 2. Installing your tool.

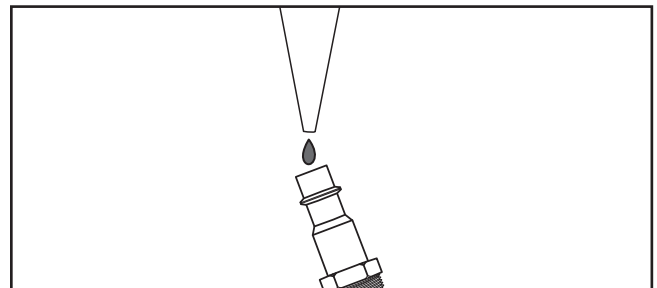


Figure 3. Lubricating directly into air fitting.

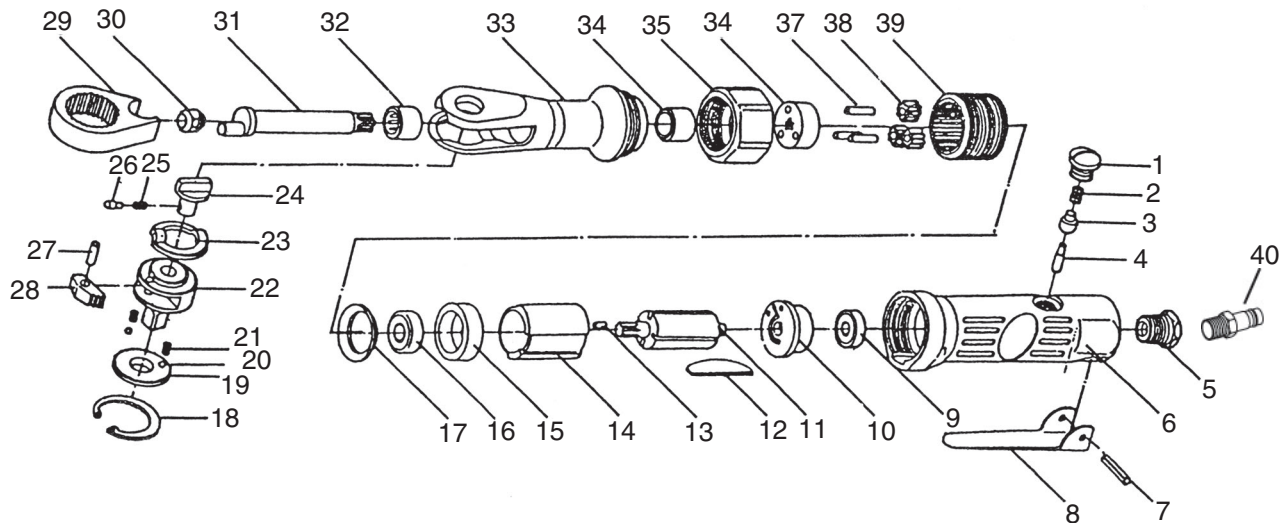
If you need help with your new pneumatic tool, call our Tech Support at: (570) 546-9663.

COPYRIGHT © FEBRUARY, 2006 BY GRIZZLY INDUSTRIAL, INC.

WARNING: NO PORTION OF THIS MANUAL MAY BE REPRODUCED IN ANY SHAPE OR FORM WITHOUT THE WRITTEN APPROVAL OF GRIZZLY INDUSTRIAL, INC.

#PC8006 PRINTED IN CHINA

H6137 Parts Breakdown and List



REF	PART #	DESCRIPTION
1	PH6137001	VALVE PLUG
2	PH6137002	SPRING
3	PH6137003	RUBBER
4	PH6137004	VALVE BUSHING
5	PH6137005	CONNECTION HEAD
6	PH6137006	HOUSING
7	PH6137007	ROLL PIN
8	PH6137008	TRIGGER
9	PH6137009	REAR BEARING
10	PH6137010	REAR PLATE
11	PH6137011	ROTOR
12	PH6137012	ROTOR BLADE
13	PH6137013	CYLINDER PIN
14	PH6137014	CYLINDER
15	PH6137015	FRONT PLATE
16	PH6137016	FRONT BEARING
17	PH6137017	WASHER
18	PH6137018	RETAINER RING
19	PH6137019	THRUST WASHER
20	PH6137020	STEEL BALL

REF	PART #	DESCRIPTION
21	PH6137021	SPRING
22	PH6137022	RATCHET ANVIL
23	PH6137023	WASHER
24	PH6137024	REVERSE BUTTON
25	PH6137025	SPRING
26	PH6137026	LOCK PIN
27	PH6137027	PIN
28	PH6137028	RATCHET PAWL
29	PH6137029	RATCHET YOKE
30	PH6137030	DRIVE BUSHING
31	PH6137031	CRANK SHAFT
32	PH6137032	NEEDLE BEARING
33	PH6137033	RATCHET HOUSING
34	PH6137034	SPACER
35	PH6137035	CLAMP NUT
36	PH6137036	IDLER GEAR PLATE
37	PH6137037	IDLER GEAR PIN
38	PH6137038	IDLER GEAR
39	PH6137039	THREAD RING GEAR
40	PH6137040	1/4 NPT AIR FITTING