



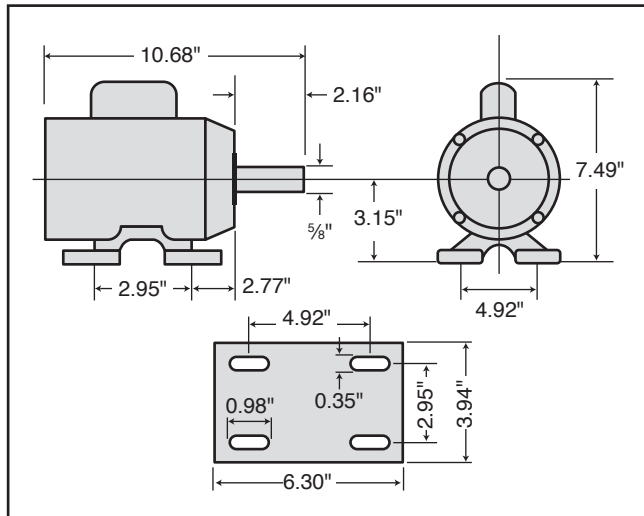
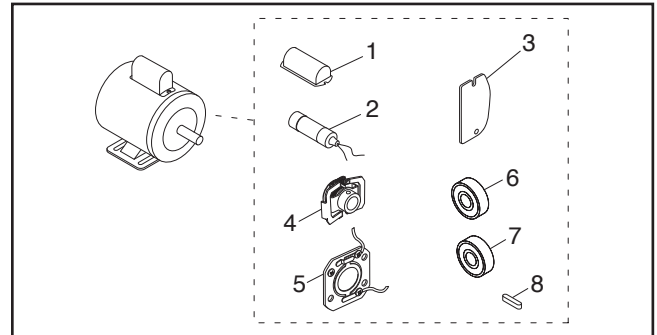
MODEL G2901 1/2 HP ELECTRIC MOTOR INSTRUCTIONS

For questions or help with this product contact Tech Support at (570) 546-9663 or techsupport@grizzly.com

Model G2901 Specifications

Power 1/2 HP
 Cycle.....60 Hz
 Voltage 110V/220V
 Prewired110V
 Amps8A/4A
 Speed1725 RPM
 PhaseSingle-Phase
 Class.....E

Replaceable Parts

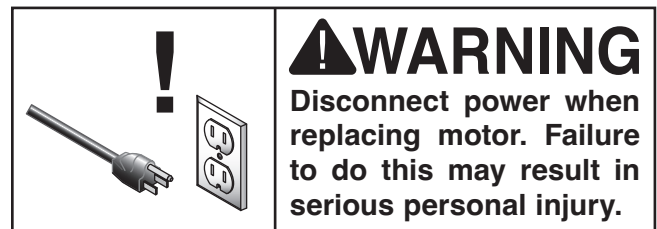
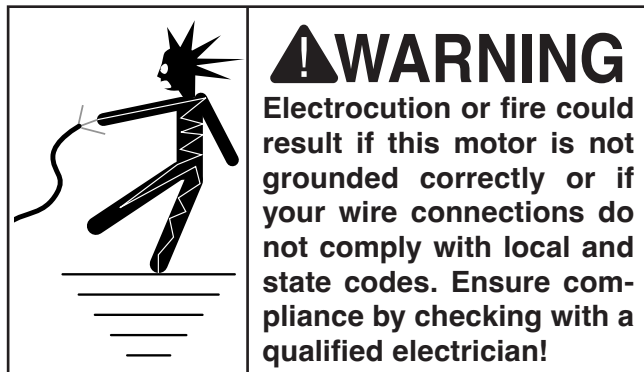


REF PART # DESCRIPTION

REF	PART #	DESCRIPTION
1	P2901001	S CAPACITOR COVER
2	P2901002	S CAPACITOR 200M 125V 1-3/8 X 2-3/8
3	P2901003	WIRING COVER PLATE
4	P2901004	CENTRIFUGAL SWITCH 1/2-1725
5	P2901005	CONTACT PLATE
6	P2901006	BALL BEARING 6202ZZ
7	P2901007	BALL BEARING 6203ZZ
8	P2901008	KEY 3/16 X 3/16 X 1-1/4

Making Wire Connections

If you are unsure how to attach wires to terminals, DO NOT continue. Contact an electrician for assistance. Connecting wires improperly may cause them to come loose or contact other wires, which can cause electrocution, fire, or a short.

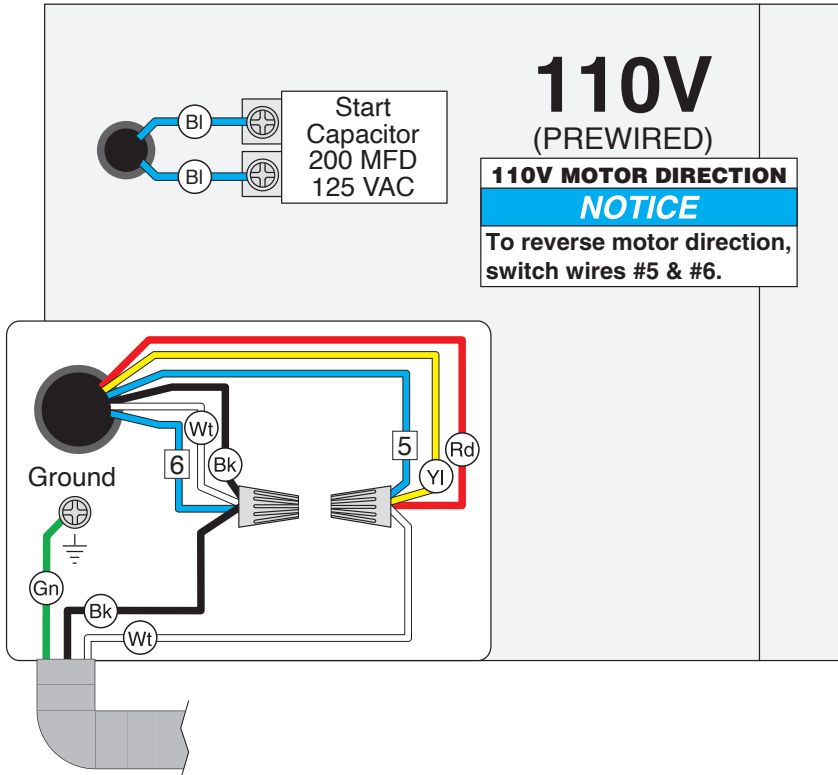


COPYRIGHT © DECEMBER, 2007 BY GRIZZLY INDUSTRIAL, INC., REVISED OCTOBER, 2024 (LW)
 NO PORTION OF THIS INSTRUCTION SHEET MAY BE REPRODUCED IN ANY SHAPE
 OR FORM WITHOUT THE WRITTEN APPROVAL OF GRIZZLY INDUSTRIAL, INC.
 (FOR MODELS MFD. SINCE 09/24) #JB10229 PRINTED IN TAIWAN

V2.10.24

Keep for Future Reference

G2901 Wiring Diagram



COLOR KEY

BLACK	
WHITE	
GREEN	
RED	
YELLOW	
BLUE	

NOTICE

The motor wiring shown here is current at the time of printing, but it may not match your motor. Always use the wiring diagram inside the motor junction box.

WARNING!

SHOCK HAZARD!
Disconnect power before working on wiring.

